

DDX8019/8029

DDX8029Y/8039

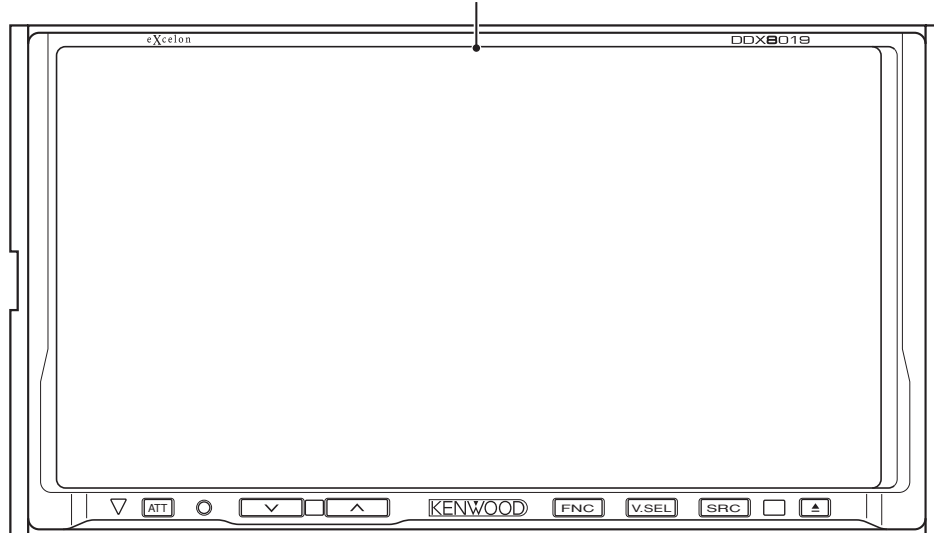
SERVICE MANUAL

KENWOOD

Kenwood Corporation

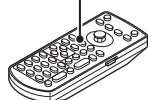
© 2007-5 PRINTED IN JAPAN
B53-0529-00 (N) 521

Panel assy
(A64-4223-01): DDX8019
(A64-4224-01): DDX8029/8029Y
(A64-4225-01): DDX8039(M type)
(A64-4226-01): DDX8039(R,X type)



Illustrations is DDX8019

Remote controller assy
(A70-2082-15)

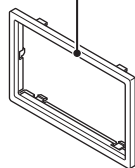


RC-DV330

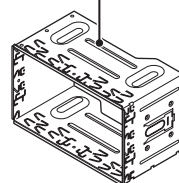
Size AAA battery
Not supplied



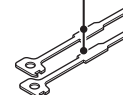
Escutcheon
(B07-3173-11)



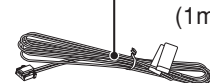
Mounting hardware assy
(J22-0498-13)



Lever
(D10-4674-04) x2



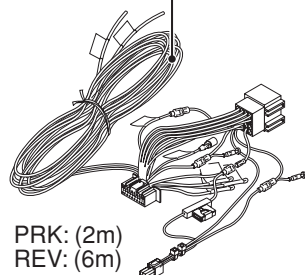
Cord with plug
(E30-6693-05)



(1m)

DDX8029/8029Y

DC cord
(E30-6678-05)



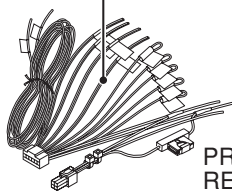
PRK: (2m)
REV: (6m)

Antenna adaptor
(T90-0552-05)



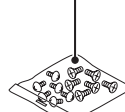
DDX8019/8039

DC cord
(E30-6677-05)



PRK: (2m)
REV: (6m)

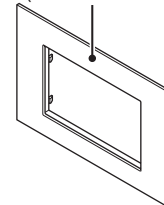
Screw set
(N99-1776-05)



Adhesive double-coated tape
(H30-0595-04)



Escutcheon
(B07-3172-12)



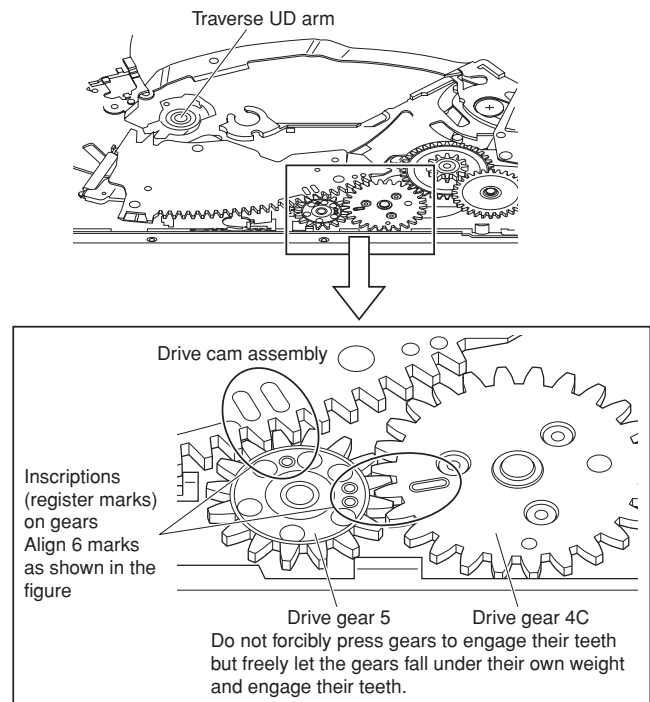
This product uses Lead Free solder.

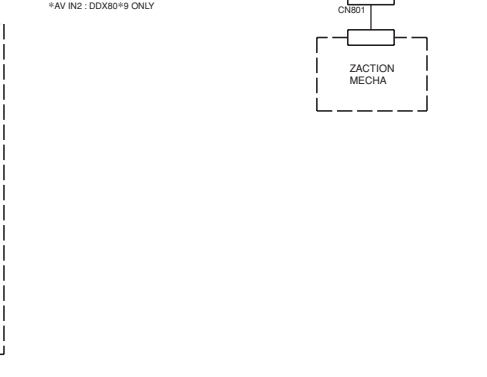
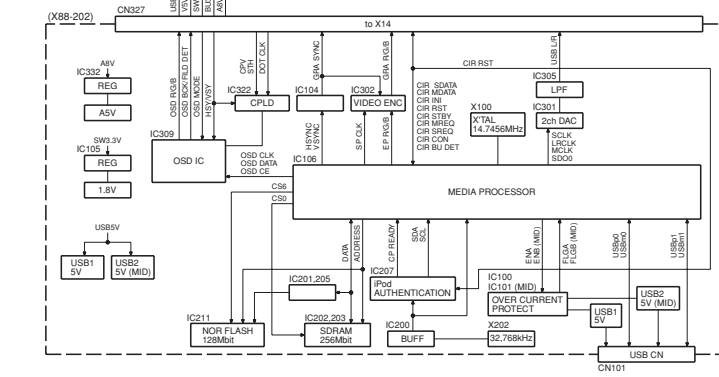
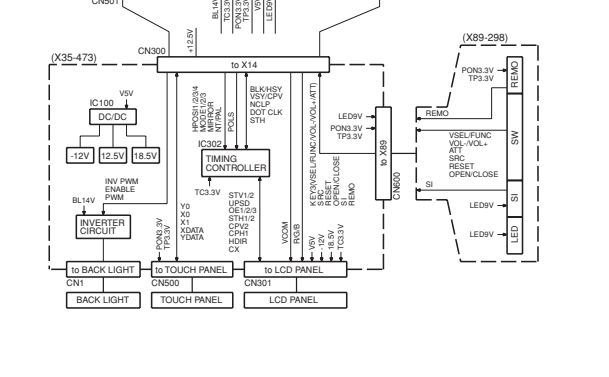
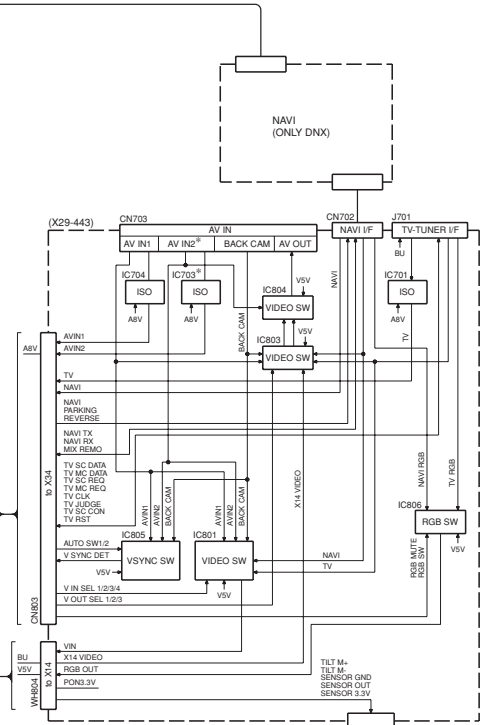
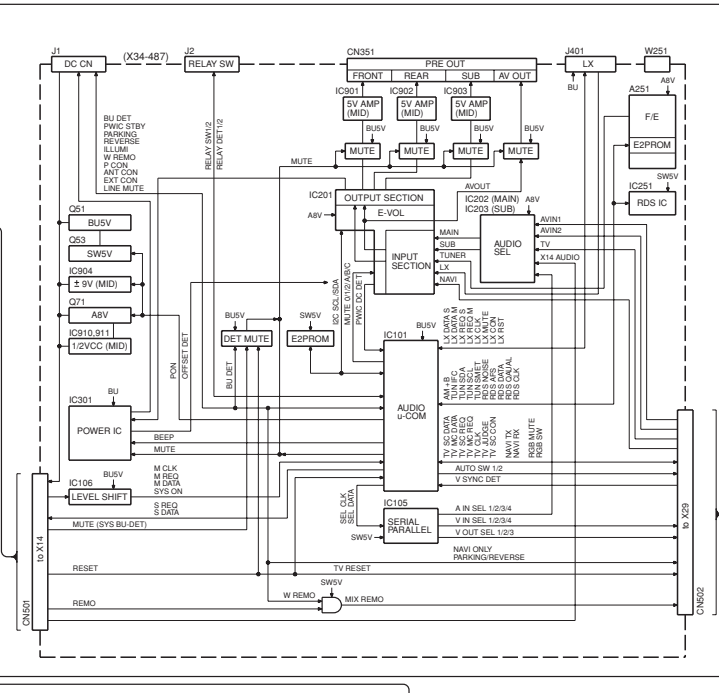
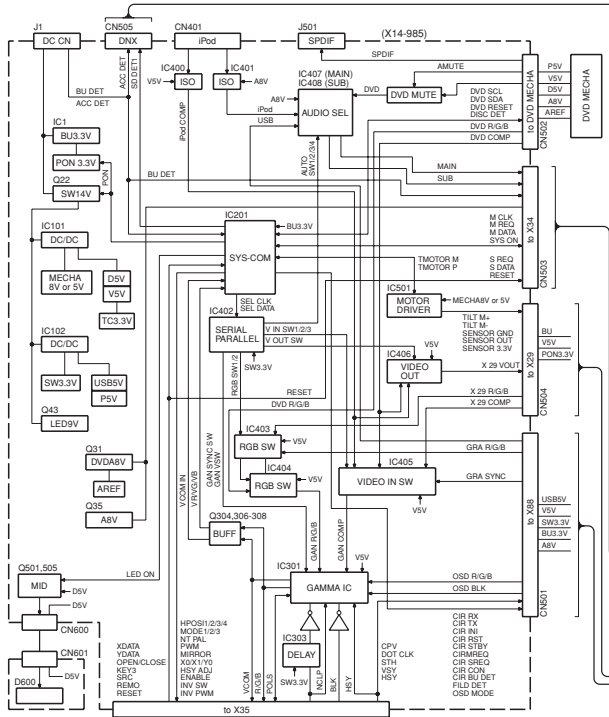
This product complies with the **RoHS** directive for the European market.

- The IC106 in the DIGITAL I/O UNIT (X88-2020-15) is not a replaceable component.
In case of defective of this IC, replace the entire unit (X88-2020-15).
- The IC5, IC21, and IC60 in the DVD unit (X37-1120-03) are not replaceable components.
In case of defective of any of these ICs, replace the DVD mechanism assembly. (The IC5 has a device key, which shall be made consistent with the S/No. of the mechanism assembly after replacement. Thus you cannot replace only the board.)
- **MICROCOMPUTER'S TERMINAL DESCRIPTION, TEST MODE, ADJUSTMENT are the same as KVT-719DVD.**
Please refer to the service manual (KVT-719DVD: B53-0507-00).

GEAR POSITION IN A DVD MECHANISM

In assembling the Traverse UD arm, Drive cam assembly, Drive gear 5 and Drive gear 4C, align register marks on these components.



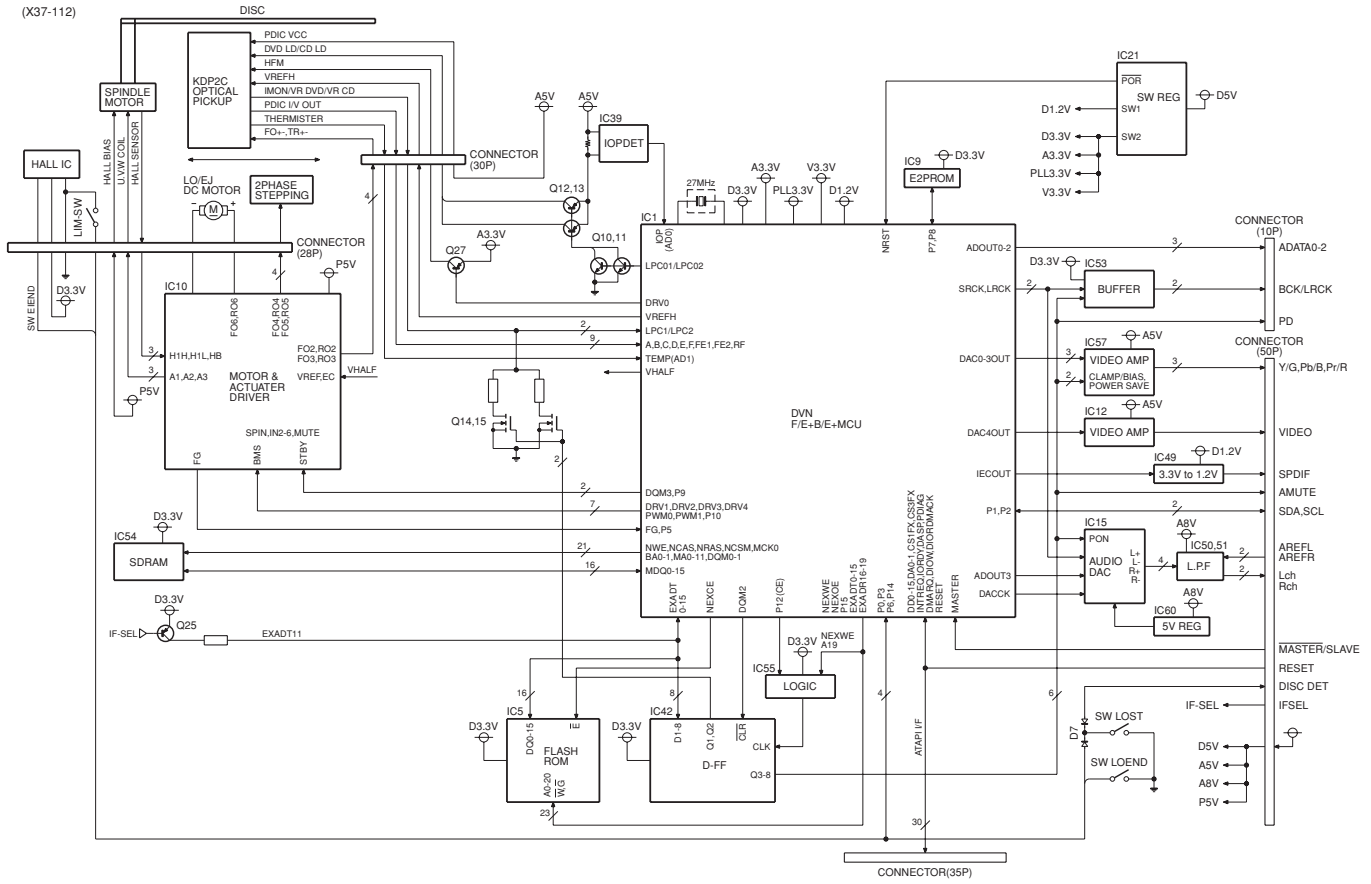


BLOCK DIAGRAM

DDX8019/8029/8029Y/8039

DDX8019/8029/8029Y/8039

BLOCK DIAGRAM



DDX8019/8029/8029Y/8039

COMPONENTS DESCRIPTION

● VIDEO CONTROL UNIT (X14-985x-xx)

Ref. No.	Application / Function	Operation / Condition / Compatibility
IC1	3.3V regulator	BU_3.3V
IC2	3.3V regulator	TC3.3V
IC10	OP AMP	AREF power supply (4V)
IC101	DC-DC control IC	DC-DC control (Mechanism 8V, V5V)
IC102	DC-DC control IC	DC-DC control (SW3.3V, D5V)
IC201	MPU	System μ -com
IC202	Reset IC	Reset IC
IC203	EEPROM	Save settings
IC204	EEPROM	ROM correction
IC205	AND	Inverter PWM buffer
IC301	Chroma gamma	Chroma gamma
IC302	NOT	HSY reverse buffer
IC303	Monostable multivibrator	HSYNC delay
IC304	NOT	HSYNC delay
IC400	VIDEO ISO AMP	iPod video signal
IC401	AUDIO ISO AMP	iPod audio signal
IC402	Serial/parallel conversion	Extension of μ -com port
IC403	Video switch	X34 RGB or Graphic RGB
IC404	Video switch	IC403 RGB or DVD RGB
IC405	Video switch	iPod or DVD or Graphic or X34 Composite signal
IC406	Video switch	For AVOUT (To X34)
IC407	Audio selector	MAIN
IC408	Audio selector	SUB
IC501,502	Motor driver	Panel drive
Q1	SW	ACC_DET detection circuit
Q2~10	SW	BU_DET detection circuit
Q13	Short protection	BU power supply regulator (8.5V)
Q14	8.5V regulator	BU power supply regulator (8.5V)
Q15~17	8.5V regulator control	BU power supply regulator (8.5V)
Q19~21	SW	P-ON 14V control
Q22	SW FET	P-ON 14V ON/OFF
Q23,24	Emitter follower	Analogue power supply reference circuit
Q25,26	SW	T_P3.3V switch
Q31~34	8V regulator control	DVD A8V regulator
Q35	8V regulator	A8V regulator
Q36~38	8V regulator control	A8V regulator
Q43	9V regulator	LED9V regulator
Q44~46	9V regulator control	LED9V regulator
Q101	SW	DC-DC output voltage switching
Q103,106 Q108,111	SW	DC-DC protection control
Q104	SW	DC-DC SW FET (5V or 7.5V)
Q105	SW	DC-DC SW FET (5V)
Q109	SW	DC-DC SW FET (3.3V)

DDX8019/8029/8029Y/8039

COMPONENTS DESCRIPTION

Ref. No.	Application / Function	Operation / Condition / Compatibility
Q110	SW	DC-DC SW FET (5V)
Q201	SW	μ-com reset SW
Q203	SW	KEY RESET
Q204,205	SW	SI
Q206,207	SW	LED SW
Q301	Buffer	Composite signal
Q304	Buffer	VCOM
Q305	MUTE	IC301 SYNC OUT MUTE
Q306	Buffer	RGB Signal_R
Q307	Buffer	RGB Signal_G
Q308	Buffer	RGB Signal_B
Q309	Buffer	HSY SYNC
Q401	Buffer	Graphic SYNC
Q504	Buffer	SPDIF signal
Q506	MUTE	DVD MUTE (Lch)
Q507	MUTE	DVD MUTE (Rch)
Q508	Buffer	Remote control signal
Q509	SW	DVD MUTE control
Q600,601	SW	DISC loading LED control

● CONTROL CIRCUIT UNIT (X29-443x-xx)

Ref. No.	Application / Function	Operation / Condition / Compatibility
IC701	ISO AMP	For TV sound
IC702	Logic IC (AND)	Buffer for NAVI_REMO
IC703	ISO AMP	For AVIN2 sound
IC704	ISO AMP	For AVIN1 sound
IC801	Video SW	Selection of SW for VIN, TV COMP, AVIN1, AVIN2, BCAME, NAVI COMP
IC803	Video SW	Selection of SW for AVOUT, TV, AVIN1, DVDIN
IC804	75Ω driver (6dB amplifier)	Selection of SW for AVOUT IC803 output and AVIN2
IC805	SW for sync separation	Selection of BCAME, AVIN1, AVIN2
IC806	Video SW	Selection of TV R, G, B, NAVI R, G, B
Q801	Transistor	Current amplification and buffer for VIN
Q802~808	Transistor	Sync separation circuit of BCAME, AVIN1, AVIN2
Q809	Transistor	Current amplification and buffer for ROUT
Q810	Transistor	Current amplification and buffer for GOUT
Q811	Transistor	Current amplification and buffer for BOUT
Q813	Transistor	For ROUT MUTE
Q814	Transistor	For GOUT MUTE
Q815	Transistor	For BOUT MUTE

● ELECTRIC UNIT (X34-487x-xx)

Ref. No.	Application / Function	Operation / Condition / Compatibility
IC71	3 terminal regulator	Audio8V and Tuner8V generation
IC101	Pin100 μ-com	Primarily, audio board control
IC102	Voltage detector	μ-com reset voltage (4.2V) monitoring

COMPONENTS DESCRIPTION

Ref. No.	Application / Function	Operation / Condition / Compatibility
IC104	Logic IC (inverter)	Synthesis of remote control signal from X14 and Wired_remote control signal
IC105	Serial/Parallel IC	Control output of AudioSW IC
IC106	Logic IC	Conversion of communication level (3.3 → 5) between X14 system μ -com
IC201	Electronic volume IC	Audio volume control and audio signal selection
IC202	Logic IC (multiplexer)	Audio signal selection (Main)
IC203	Logic IC (multiplexer)	Audio signal selection (Sub)
IC251	RDS decoder IC	For RDS signal processing and demodulation
IC301	Power IC	Power amplifier for speaker output
IC901	OPAMP	PREOUT amplifier (Front)
IC902	OPAMP	PREOUT amplifier (Rear)
IC903	OPAMP	PREOUT amplifier (Sub woofer)
IC904	Power supply converter	$\pm 9V$ power supply generation of PREOUT amplifier
IC910	OPAMP	SVR and Ref3.3V generation for Power IC
IC911	OPAMP	Midpoint potential generation (4.0V) for Power IC
Q1	Transistor	Reverse detection circuit
Q2	Transistor	Parking detection circuit
Q3	Transistor	ILLUMI detection circuit
Q4,6	Transistor	Bu detection circuit
Q7~10	Transistor	P_CON output circuit
Q11,12	Transistor	ANT_CON output circuit
Q13	Transistor	EXT_CONT output circuit
Q51	Transistor	Bu5V generation
Q52	Transistor	Bu5V circuit
Q53,54	Transistor	SW5V circuit
Q70~72	Transistor	Audio8V and Tuner8V generation
Q81~86	Transistor	Relay SW1 output, and over current detection circuit
Q91~96	Transistor	Relay SW2 output, and over current detection circuit
Q101	Transistor	μ -com reset circuit
Q102,103	Transistor	TV reset circuit
Q104,105	Transistor	DET MUTE circuit (Trigger Reset)
Q107	Transistor	DET MUTE circuit (Trigger X14MUTE)
Q108	Transistor	DET MUTE circuit (Trigger Bu-DET)
Q251,252	Transistor	On when AM (Tuner8V)
Q351	Transistor	Pre-OutMute Mute transistor (FL)
Q352	Transistor	Pre-OutMute circuit (Front, Rear)
Q353	Transistor	Pre-OutMute Mute transistor (FR)
Q354	Transistor	Pre-OutMute Mute transistor (RL)
Q355	Transistor	Pre-OutMute Mute transistor (RR)
Q356	Transistor	Pre-OutMute Mute transistor (SUB L)
Q357	Transistor	Pre-OutMute circuit (SUB)
Q358	Transistor	Pre-OutMute Mute transistor (SUB R)
Q359	Transistor	Pre-OutMute Mute transistor (AV-OUT L)
Q360	Transistor	Pre-OutMute circuit (AV-OUT)
Q361	Transistor	Pre-OutMute Mute transistor (AV-OUT R)

COMPONENTS DESCRIPTION

Ref. No.	Application / Function	Operation / Condition / Compatibility
Q901, Q903~910	Transistor	Power supply for Pre-Out amplifier Circuit to generate $\pm 9V$
Q911, Q921~924	Transistor	Circuit to generate the midpoint potential for Power IC

● VIDEO UNIT (X35-4730-10)

Ref. No.	Application / Function	Operation / Condition / Compatibility
IC1	Inverter control IC	Control and drive of the inverter circuit for the back light
IC100	DC/DC converter IC	+12.5V power supply for VCOM amplifier, and -12.0V/+18.5V power supply for LCD
IC102	Mono-multi	Delay 5V power supply for DC/DC IC
IC103	NOT	Reverse
IC300	AND	Buffer to delay V.SYNC
IC302	Timing controller IC	Control of LCD module
IC303	PLL LPF	LPF for PLL control (VT voltage control)
Q1	5V constant voltage	5V power supply for inverter control IC
Q2,3	Inverter driver	Drive the inverter circuit
Q4	Dimmer SW	Turn on or off in response to the PWM control signal to dimmer the back light
Q5	Inverter frequency switching switch	SW to switch the free run frequency for inverter control IC
Q302	Buffer	For PLL clock
Q303	VCO	For PLL oscillation
Q500	Touch panel X1 SW	X1 SW: Turn on in response to detection of the panel touch or X axis input and apply voltage
Q501	Touch panel X0 SW	X0 SW: Turn on in response to X axis input and apply voltage
Q502	Touch panel Y1 SW	Y1 SW: Turn on in response to Y axis input and apply voltage
Q503	Touch panel Y0 SW	Y0 SW: Turn on in response to Y axis input and apply voltage
Q504	Touch panel Y0/Y1 SW	Y0/Y1 SW: Turn on in response to Y axis input and off in response to X axis input

● DIGITAL I/O UNIT (X88-2020-15)

Ref. No.	Application / Function	Operation / Condition / Compatibility
IC100	Fixed Current Limit Power Distribution Switch	Large current distribution switch for USB1
IC101	Fixed Current Limit Power Distribution Switch	Large current distribution switch for USB2
IC104	Exclusive OR Gate	EP_SYNC (composite sync) output
IC105	Low Dropout Voltage Linear Regulator	SW3.3V \rightarrow 1.8V (for EP93071RZ)
IC106	System-On-Chip Processor	Media Processor
IC108	Inverter	E_HSYNC Buffer
IC200	Triple Inverter	Sub Clock Buffer
IC201	Octal Bus Transceiver	Flash Memory data line switching (DA0~7)
IC202,203	SDRAM 256Mbit	SDRAM for work memory
IC205	Octal Bus Transceiver	Flash Memory data line switching (DA8~15)
IC207	iPod Authentication Coprocessor	iPod Authentication
IC211	NOR Flash Memory 128Mbit	Flash Memory for program data and graphic data
IC301	Stereo DAC	Audio signal digital/analog converter
IC302	Color TV signal encoder	Graphic signal digital/analog converter
IC305	Dual OP-Amp.(LPF)	Stereo DAC Output LPF

DDX8019/8029/8029Y/8039

COMPONENTS DESCRIPTION

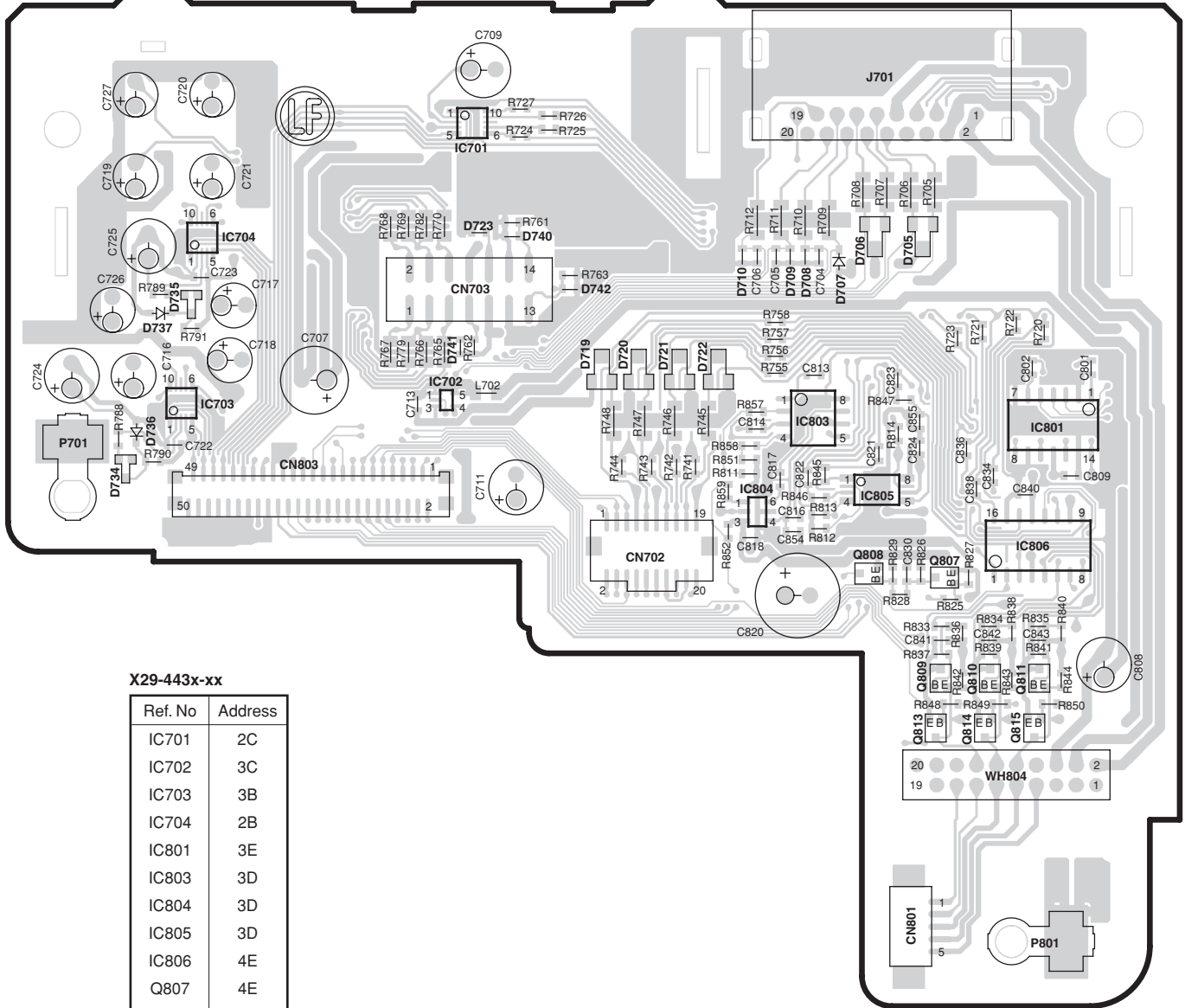
Ref. No.	Application / Function	Operation / Condition / Compatibility
IC309	On-Screen Display Controller	On-Screen Display analog signal output
IC316	Triple Inverter	Dot Clock (14.4MHz) Buffer
IC322	CPLD	2/3 frequency dividing and PAL thinning control (compression processing circuit)
IC332	Low Dropout Voltage Regulator	A8V → A5V (for Stereo DAC and LPF)
IC336	Triple Schmitt Inverter	VSY, HSY Buffer
IC337	Triple Schmitt Inverter	CPV, STH Buffer
Q302	General Purpose Transistor	OSD ROUT Current Amplifier
Q303	General Purpose Transistor	OSD GOUT Current Amplifier
Q304	General Purpose Transistor	OSD BOUT Current Amplifier

● DVD UNIT (X37-1120-03)

Ref. No.	Application / Function	Operation / Condition / Compatibility
IC1	One chip LSI for DVD player	RF signal processing / Servo processing / Decoding processing / AV decoding processing
IC5	FLASH ROM	To retain F/W for one chip LSI (Nonvolatile memory)
IC9	EEP ROM	To retain data for one chip LSI (Nonvolatile memory)
IC10	Driver IC	Fo coil / Tr coil / SP motor / SLD motor / LO-EJ motor drive
IC12	1ch video AMP	+6dB amplifier with internal composite video output filter
IC15	Audio DAC	DA converter for 2ch analogue audio output
IC21	2-output switching REG	5V → 3.3V/1.2V
IC39	OP-AMP for lop measurement	For lop measurement
IC42	Logic IC for port extension	For port extension
IC49	Low voltage logic	For S/PDIF signal amplitude conversion (3.3V → 1.2V)
IC50	OP-AMP for audio LPF	LPF for 2ch analogue audio output (Rch)
IC51	OP-AMP for audio LPF	LPF for 3ch analogue audio output (Lch)
IC54	SDRAM	To retain data for one chip LSI (Nonvolatile memory)
IC55,56	Logic IC for port extension	For port extension
IC57	3ch video amplifier	With built-in filter +6dB amplifier for component/RGB video output
IC60	Power supply for 5.0V	8V → 5V (Exclusively for audio DAC)
Q1	Transistor with internal resistor	LO_MUTE control
Q2	Transistor with internal resistor	For FG signal
Q3	Transistor with internal resistor	For BMS
Q4	Transistor with internal resistor	DRMUTE control
Q10	Front end transistor for APC	Control of CD laser diode emission
Q11	Front end transistor for APC	Control of DVD laser diode emission
Q12	Rear end transistor for APC	Control of CD laser diode emission
Q13	Rear end transistor for APC	Control of DVD laser diode emission
Q14	MOS-FET	ON/OFF control of CD laser diode
Q15	MOS-FET	ON/OFF control of DVD laser diode
Q20	MOS-FET for level shifter	Level shifter for I2C clock
Q21	MOS-FET for level shifter	Level shifter for I2C data
Q24	MOS-FET	For lop measurement
Q25	Transistor with internal resistor	IFSEL control
Q27	Transistor with internal resistor	HFM ON/OFF control
Q28	Transistor for APC	For CD laser diode protection (Current limiter)
Q29	Transistor for APC	For DVD laser diode protection (Current limiter)

DDX8019/8029/8029Y/8039 PC BOARD (COMPONENT SIDE VIEW)

CONTROL CIRCUIT UNIT X29-443x-xx (J76-0392-12)



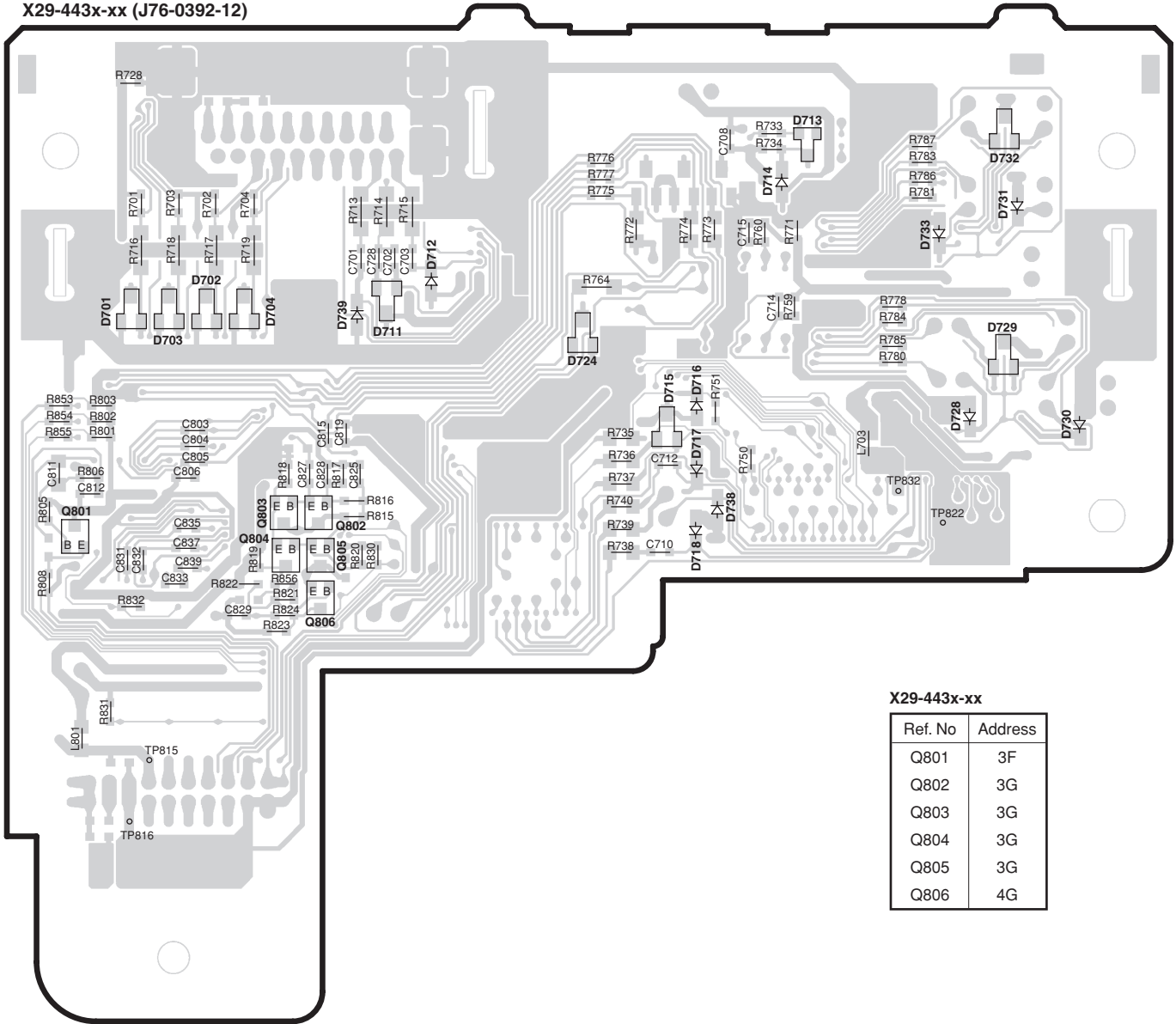
X29-443x-xx

Ref. No	Address
IC701	2C
IC702	3C
IC703	3B
IC704	2B
IC801	3E
IC803	3D
IC804	3D
IC805	3D
IC806	4E
Q807	4E
Q808	4D
Q809	4D
Q810	4E
Q811	4E
Q813	4D
Q814	4E
Q815	4E

Refer to the schematic diagram for the values of resistors and capacitors.

PC BOARD (FOIL SIDE VIEW)

CONTROL CIRCUIT UNIT
X29-443x-xx (J76-0392-12)



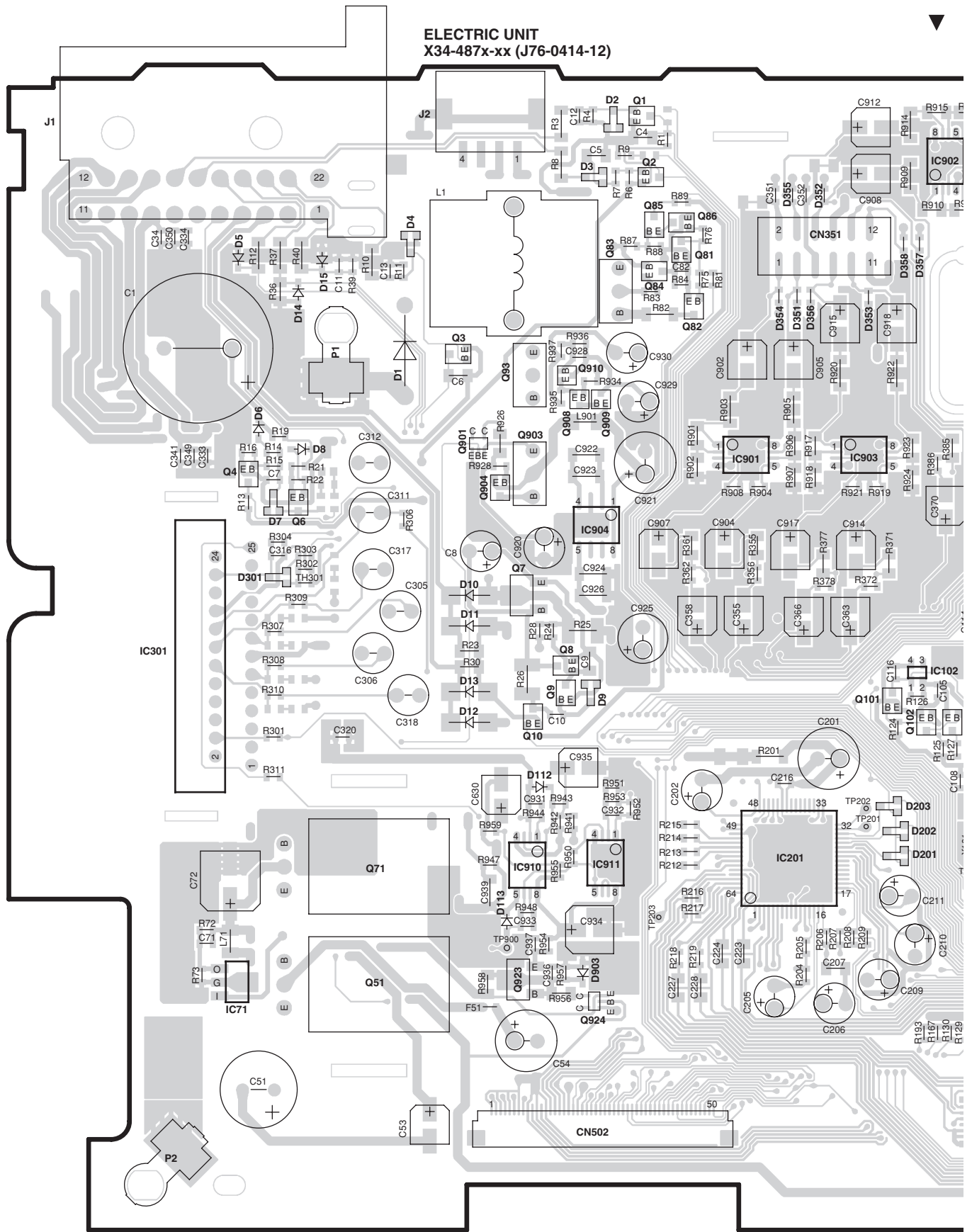
X29-443x-xx

Ref. No	Address
Q801	3F
Q802	3G
Q803	3G
Q804	3G
Q805	3G
Q806	4G

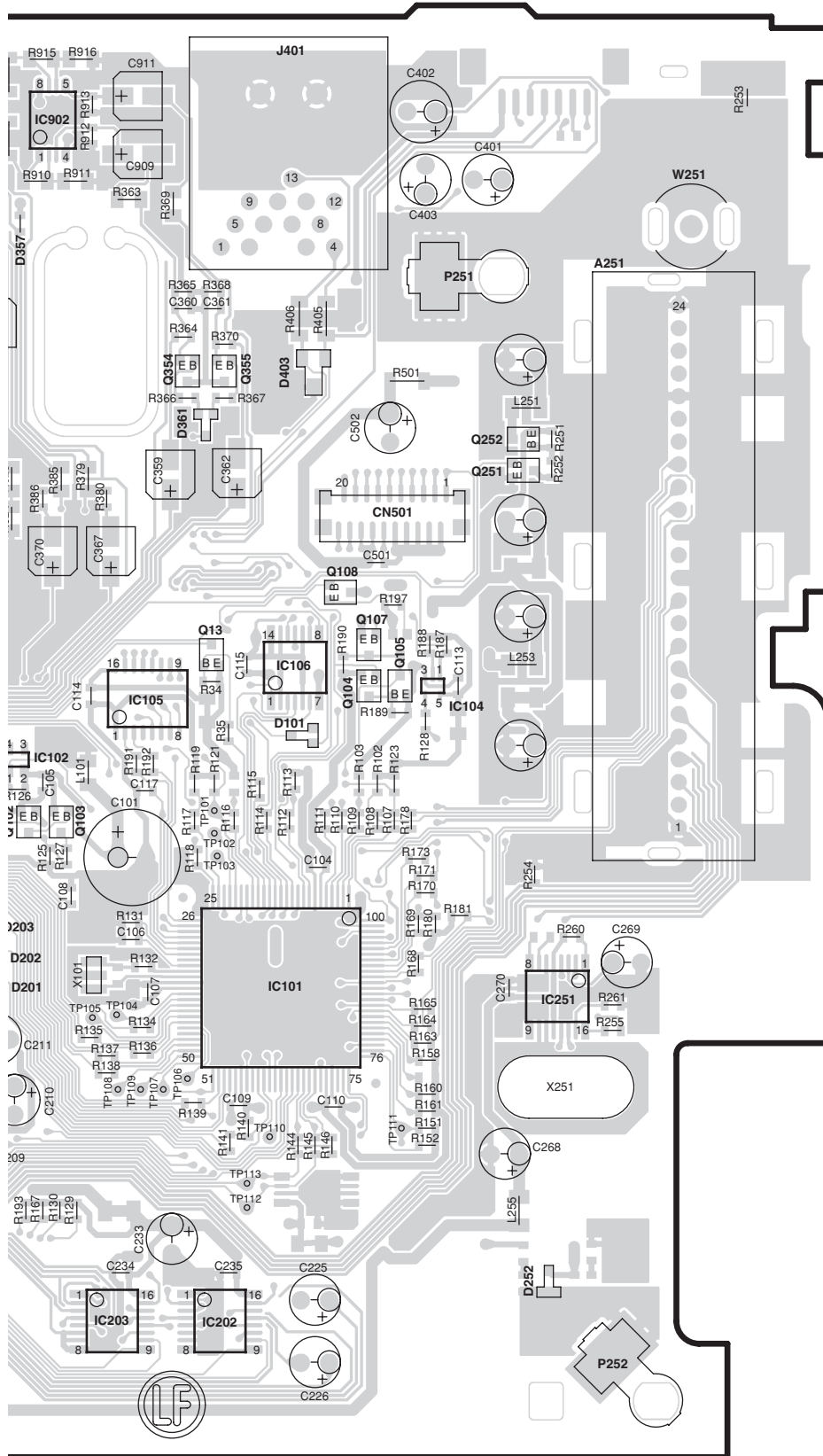
Refer to the schematic diagram for the values of resistors and capacitors.

DDX8019/8029/8029Y/8039

PC BOARD (COMPONENT SIDE VIEW)



ELECTRIC UNIT
X34-487x-xx (J76-0414-12)



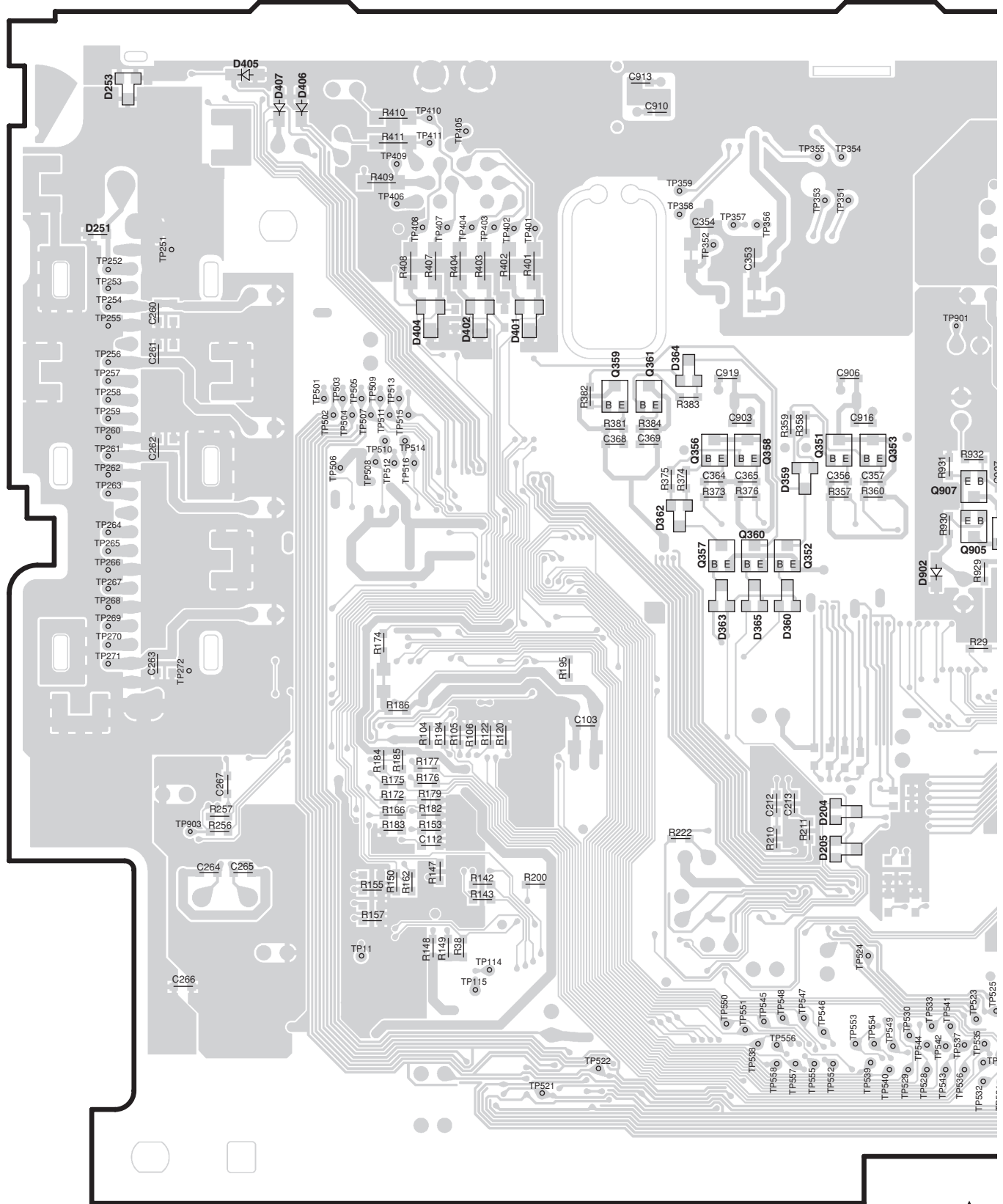
X34-487x-xx

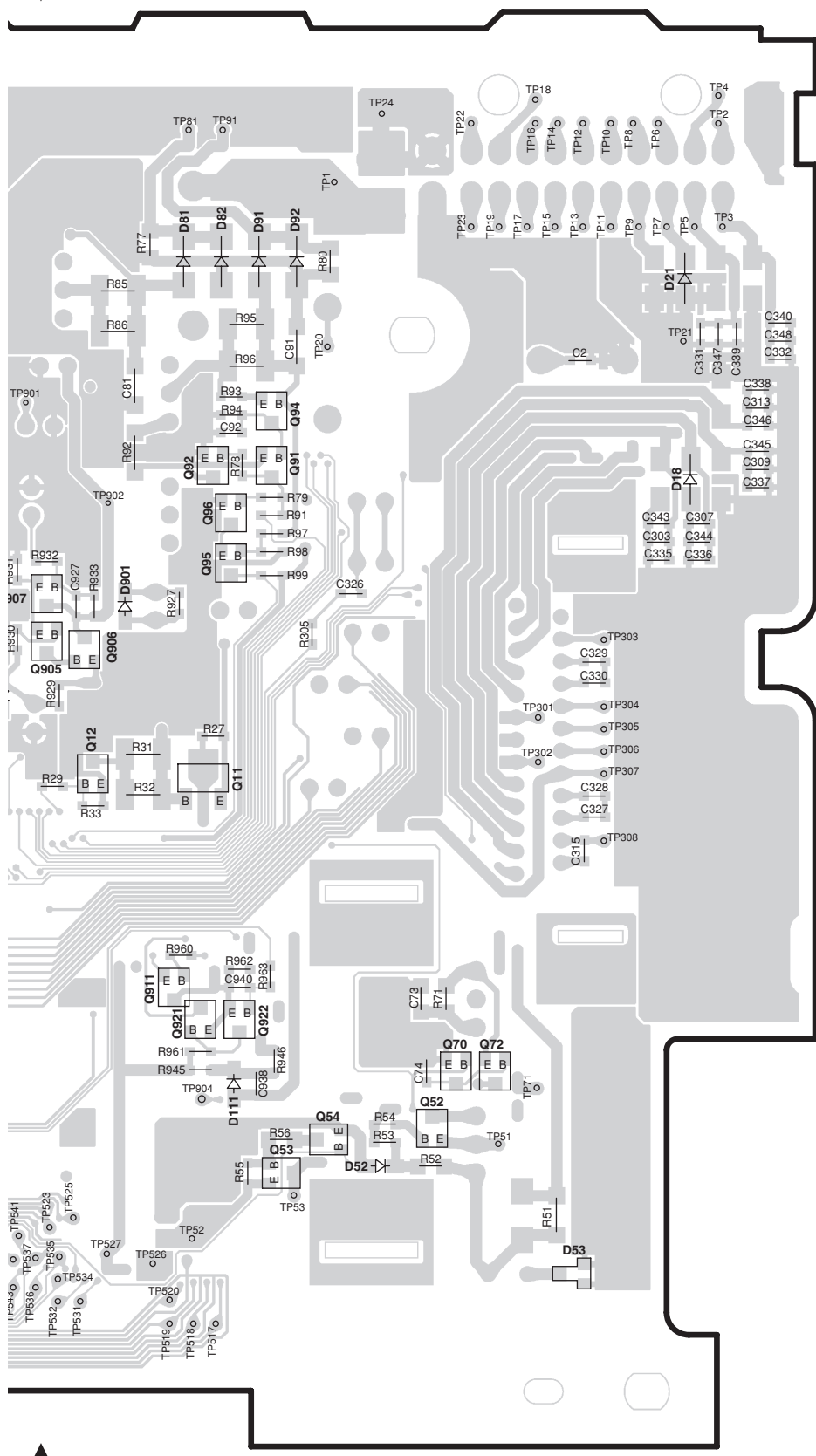
Ref. No	Address	Ref. No	Address
IC71	6L	Q71	5M
IC101	5Q	Q81	2N
IC102	4O	Q82	3N
IC104	4Q	Q83	2N
IC105	4P	Q84	3N
IC106	4Q	Q85	2N
IC201	5O	Q86	2N
IC202	6P	Q93	3M
IC203	6P	Q101	4O
IC251	5R	Q102	5O
IC301	4L	Q103	5P
IC901	3N	Q104	4Q
IC902	2P	Q105	4Q
IC903	3O	Q107	4Q
IC904	4N	Q108	4Q
IC910	5M	Q251	3Q
IC911	5N	Q252	3Q
Q1	2N	Q354	3P
Q2	2N	Q355	3P
Q3	3M	Q901	3M
Q4	3L	Q903	3M
Q6	4L	Q904	3M
Q7	4M	Q908	3N
Q8	4N	Q909	3N
Q9	4M	Q910	3N
Q10	5M	Q923	6M
Q13	4P	Q924	6N
Q51	6M		

Refer to the schematic diagram for the values of resistors and capacitors.

DDX8019/8029/8029Y/8039
PC BOARD (FOIL SIDE VIEW)

ELECTRIC UNIT
X34-487x-xx (J76-0414-12)





X34-487x-xx

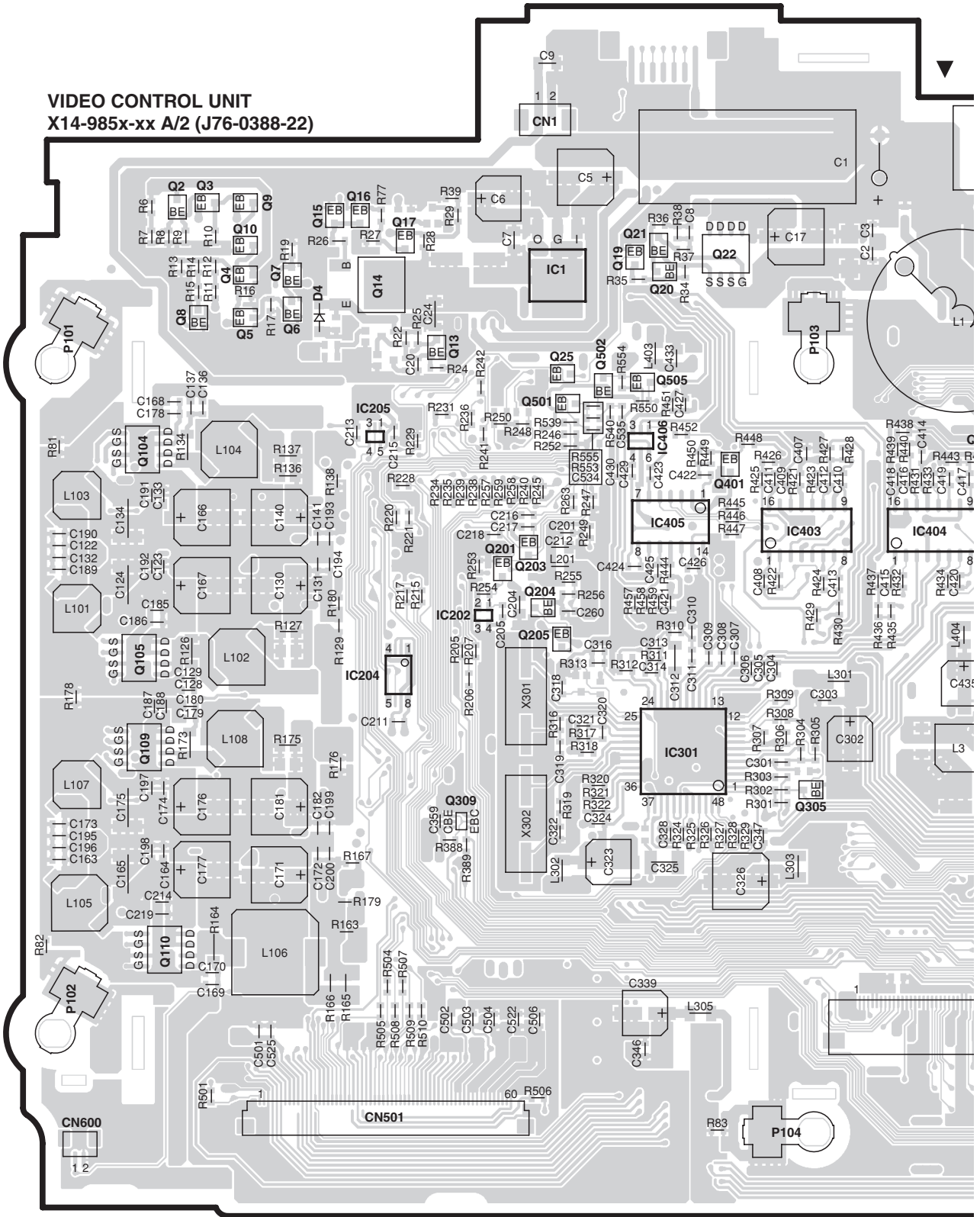
Ref. No	Address
Q11	4Z
Q12	4Z
Q52	6AA
Q53	6AA
Q54	6AA
Q70	5AA
Q72	5AA
Q91	3AA
Q92	3Z
Q94	3AA
Q95	3Z
Q96	3Z
Q351	3Y
Q352	4Y
Q353	3Y
Q356	3X
Q357	4X
Q358	3X
Q359	3X
Q360	4X
Q361	3X
Q905	4Z
Q906	4Z
Q907	4Y
Q911	5Z
Q921	5Z
Q922	5Z

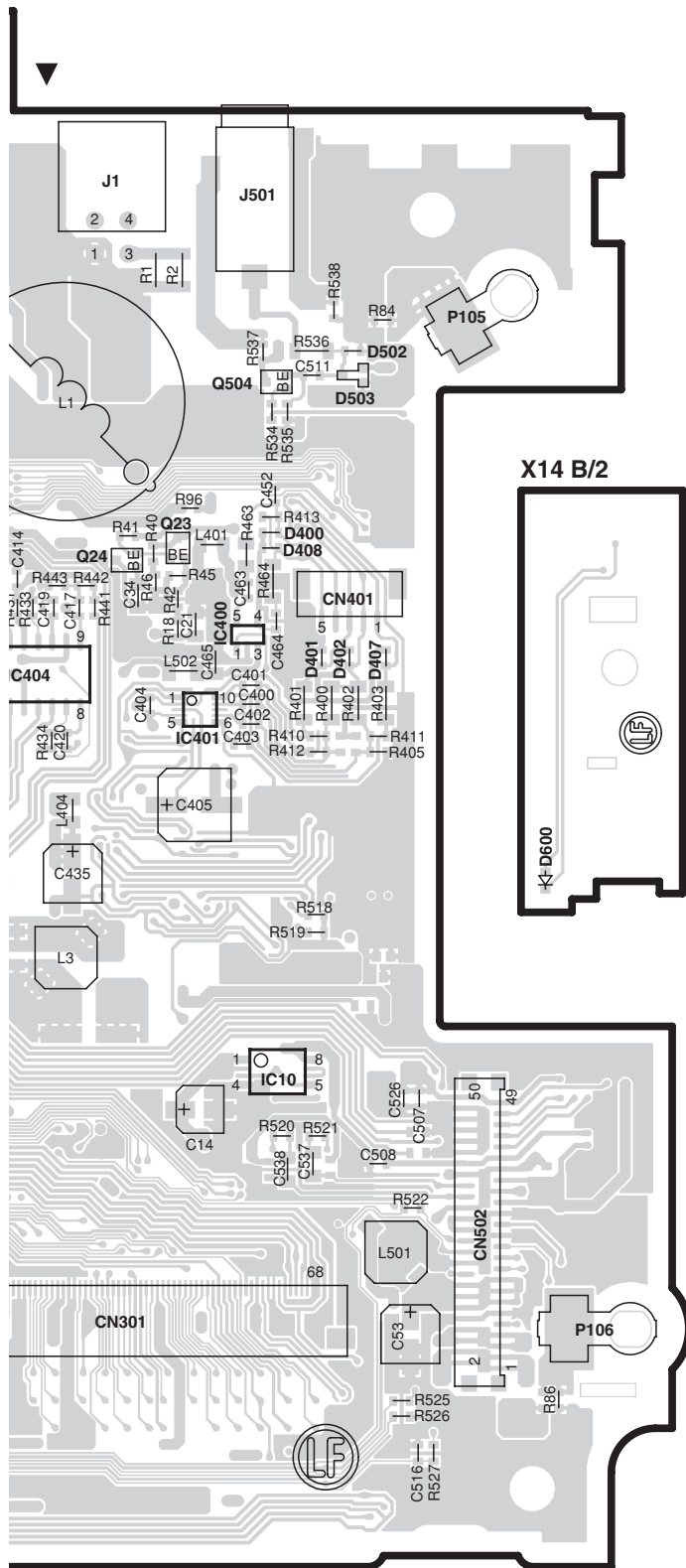
Refer to the schematic diagram for the values of resistors and capacitors.

DDX8019/8029/8029Y/8039

PC BOARD (COMPONENT SIDE VIEW)

VIDEO CONTROL UNIT X14-985x-xx A/2 (J76-0388-22)





X14-985x-xx

Ref. No	Address	Ref. No	Address
IC1	2AH	Q15	2AG
IC10	5AJ	Q16	2AG
IC202	4AG	Q17	2AG
IC204	4AG	Q19	2AH
IC205	3AG	Q20	3AH
IC301	5AH	Q21	2AH
IC400	3AJ	Q22	2AH
IC401	4AJ	Q23	3AJ
IC403	4AI	Q24	3AJ
IC404	4AI	Q25	3AH
IC405	4AH	Q104	3AF
IC406	3AH	Q105	4AF
Q2	2AF	Q109	5AF
Q3	2AF	Q110	5AF
Q4	2AF	Q201	4AG
Q5	3AF	Q203	4AH
Q6	3AF	Q204	4AH
Q7	2AF	Q205	4AH
Q8	3AF	Q305	5AI
Q9	2AF	Q309	5AG
Q10	2AF	Q401	3AH
Q13	3AG	Q504	3AJ
Q14	2AG		

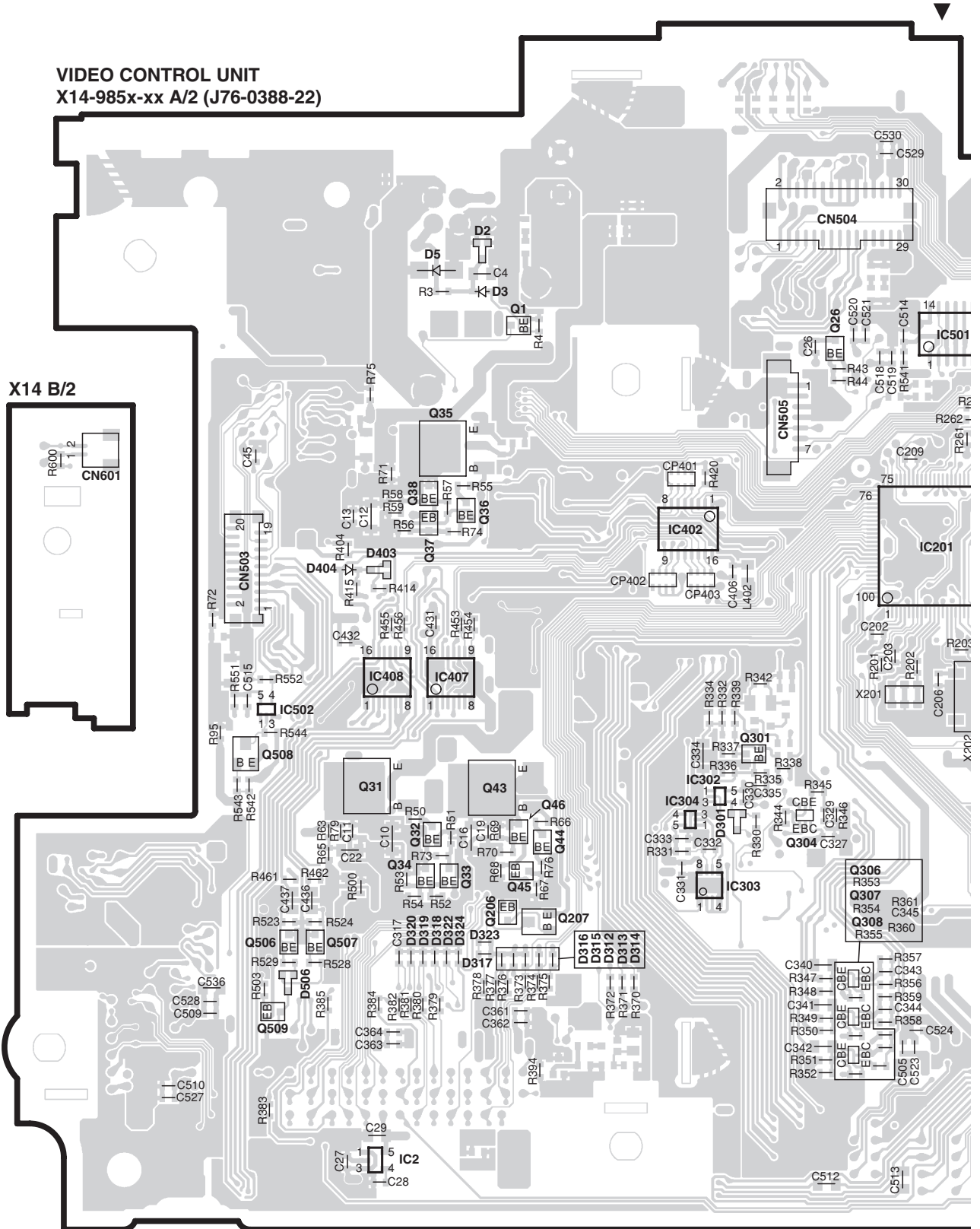
Refer to the schematic diagram for the values of resistors and capacitors.

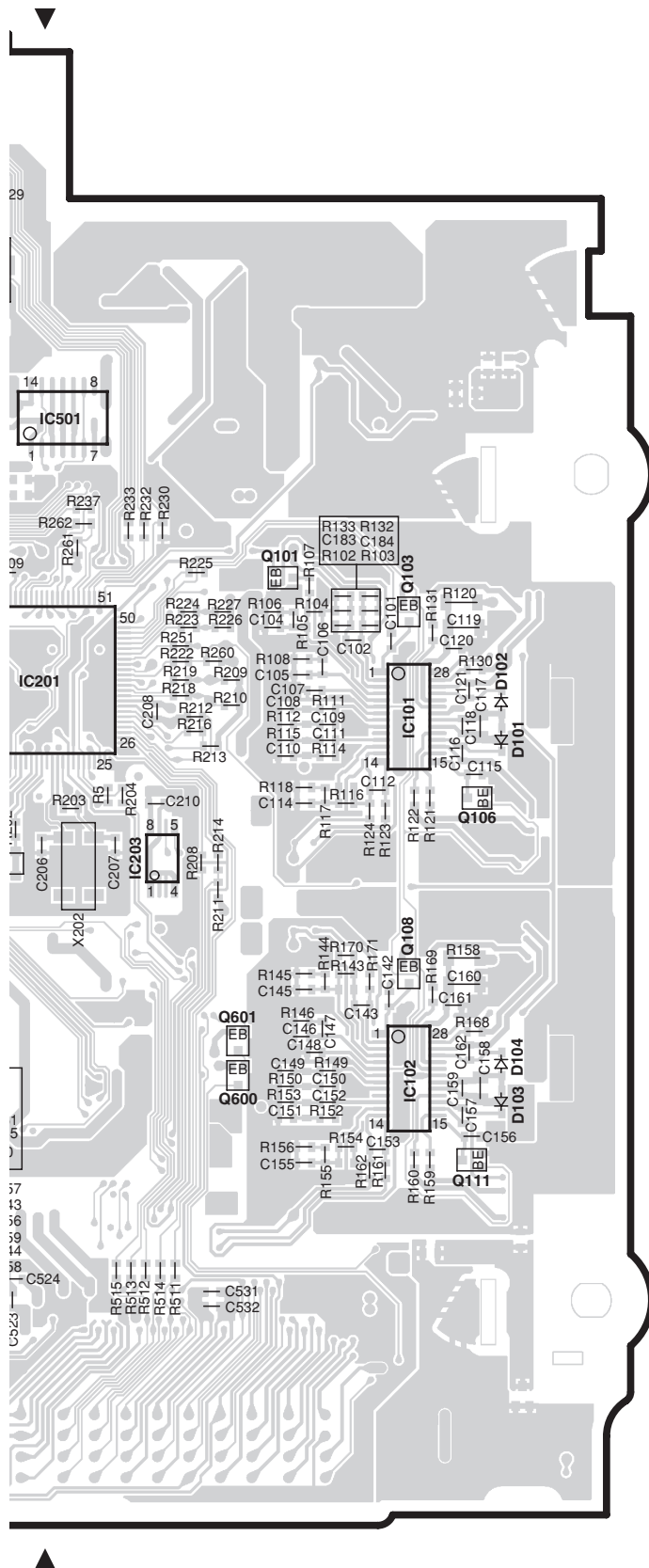
DDX8019/8029/8029Y/8039

PC BOARD (FOIL SIDE VIEW)

VIDEO CONTROL UNIT X14-985x-xx A/2 (J76-0388-22)

X14 B/2





X14-985x-xx

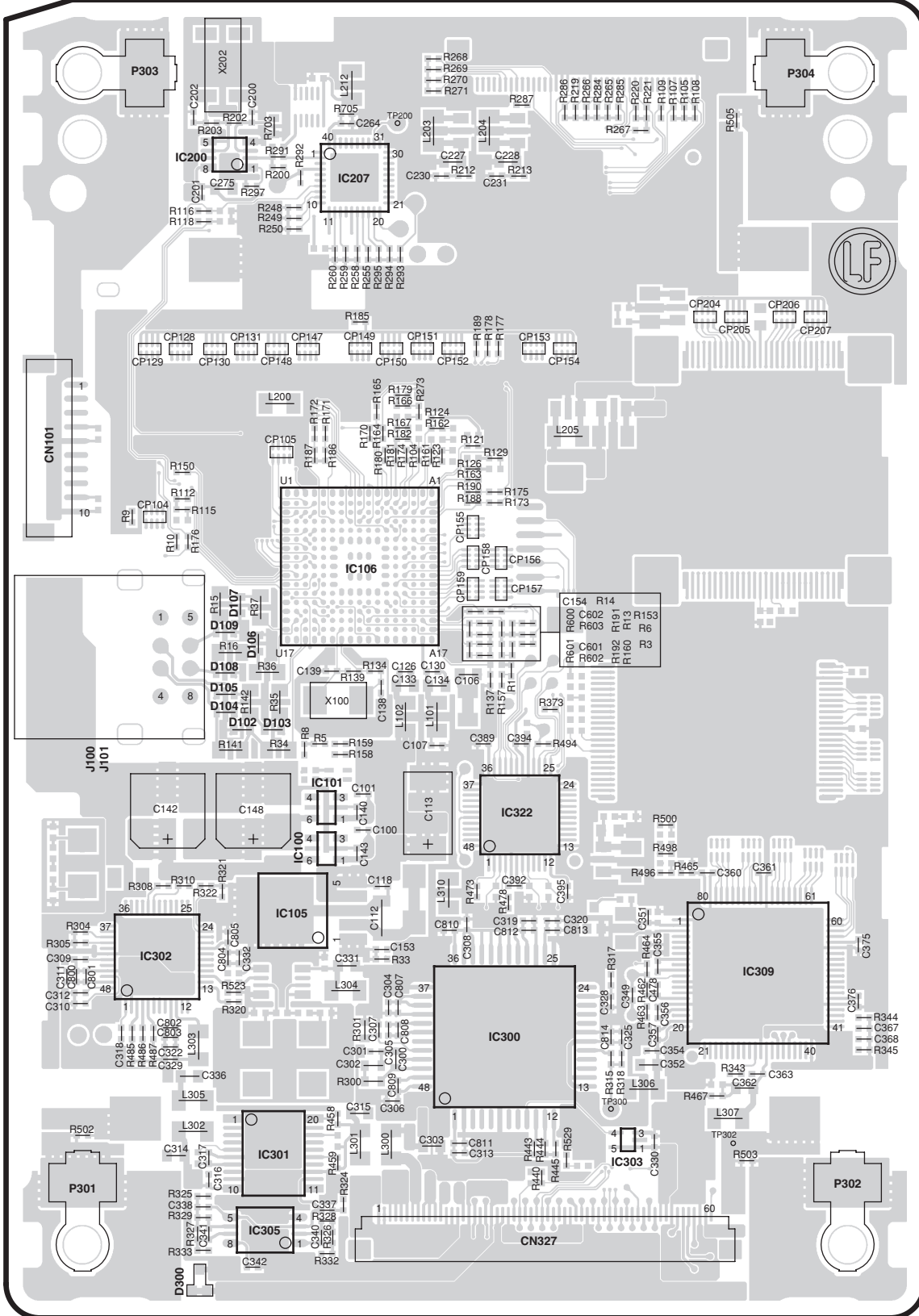
Ref. No	Address	Ref. No	Address
IC2	6AQ	Q43	5AQ
IC101	4AU	Q44	5AR
IC102	5AU	Q45	5AQ
IC201	4AS	Q46	5AR
IC203	4AT	Q101	3AT
IC302	5AR	Q103	3AU
IC303	5AR	Q106	4AU
IC304	5AR	Q108	4AU
IC402	3AR	Q111	5AU
IC407	4AQ	Q206	5AQ
IC408	4AQ	Q207	5AR
IC501	3AT	Q301	4AS
IC502	4AP	Q304	5AS
Q1	3AQ	Q306	5AS
Q26	3AS	Q307	5AS
Q31	5AQ	Q308	5AS
Q32	5AQ	Q506	5AP
Q33	5AQ	Q507	5AQ
Q34	5AQ	Q508	4AP
Q35	3AQ	Q509	6AP
Q36	3AQ	Q600	5AT
Q37	4AQ	Q601	5AT
Q38	3AQ		

Refer to the schematic diagram for the values of resistors and capacitors.

DDX8019/8029/8029Y/8039

PC BOARD (COMPONENT SIDE VIEW)

DIGITAL I/O UNIT X88-2020-15 (J76-0394-42)



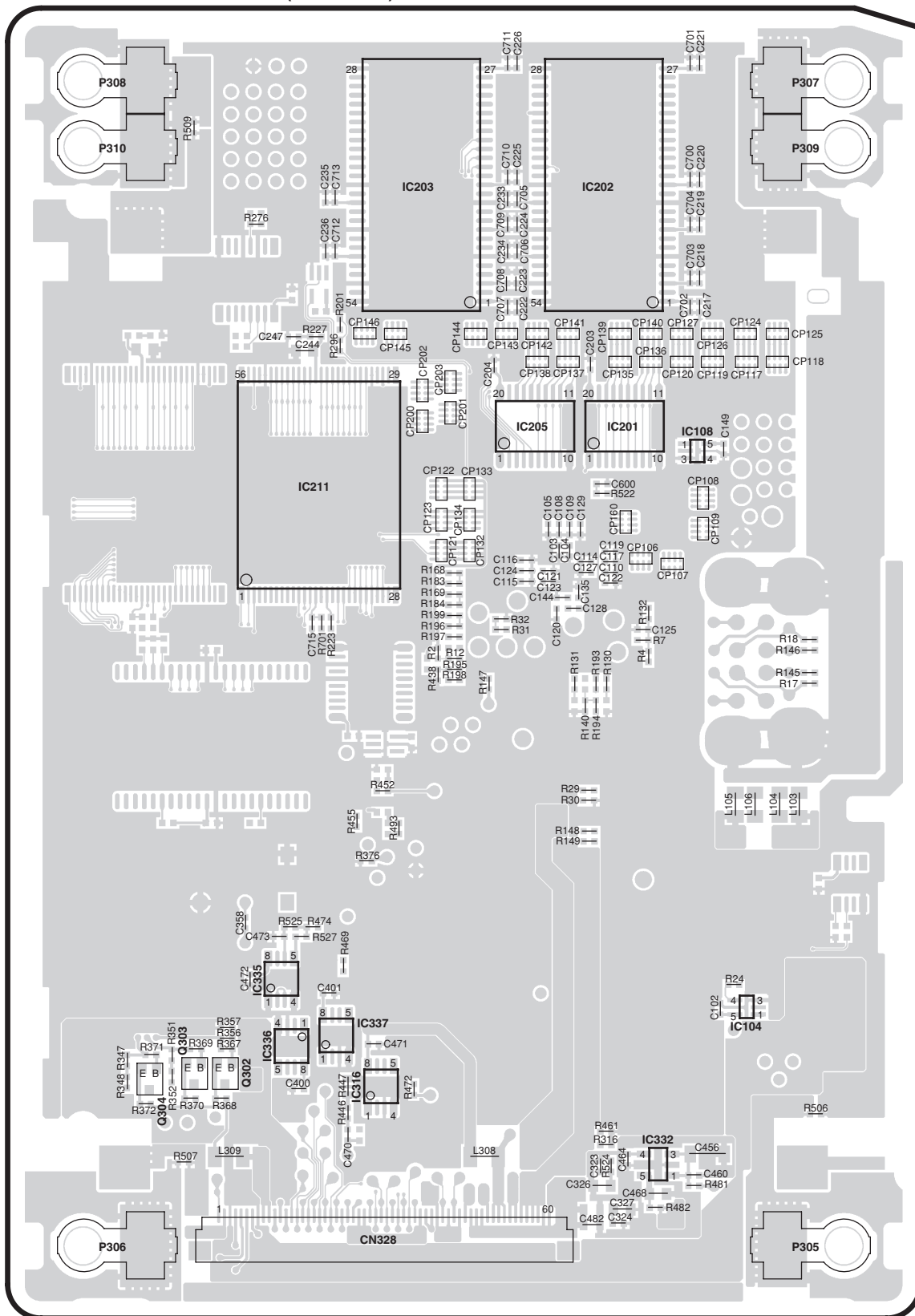
X88-2020-15

Ref. No	Address
IC100	5AZ
IC101	5AZ
IC105	5AZ
IC106	4AZ
IC200	2AZ
IC207	2AZ
IC301	6AZ
IC302	5AZ
IC305	6AZ
IC309	5BB
IC322	5BA

Refer to the schematic diagram for the values of resistors and capacitors.

PC BOARD (FOIL SIDE VIEW)

DIGITAL I/O UNIT X88-2020-15 (J76-0394-42)



X88-2020-15

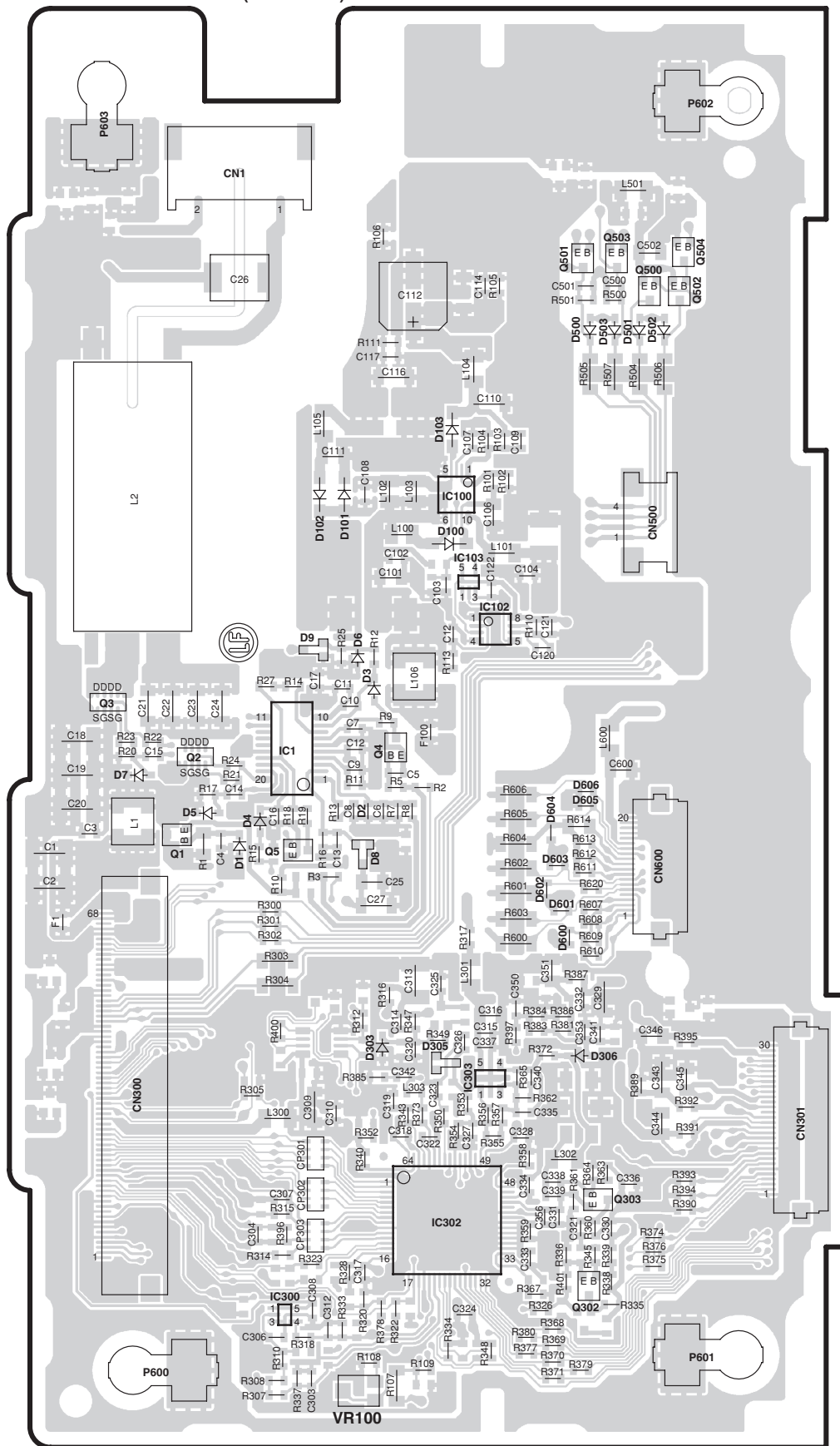
Ref. No	Address
IC104	6BG
IC108	3BG
IC201	3BG
IC202	2BG
IC203	2BF
IC205	3BF
IC211	3BF
IC316	6BF
IC332	6BG
IC336	6BE
IC337	6BF
Q302	6BE
Q303	6BE
Q304	6BE

Refer to the schematic diagram for the values of resistors and capacitors.

DDX8019/8029/8029Y/8039

PC BOARD (COMPONENT SIDE VIEW)

VIDEO UNIT X35-4730-10 (J76-0384-22)



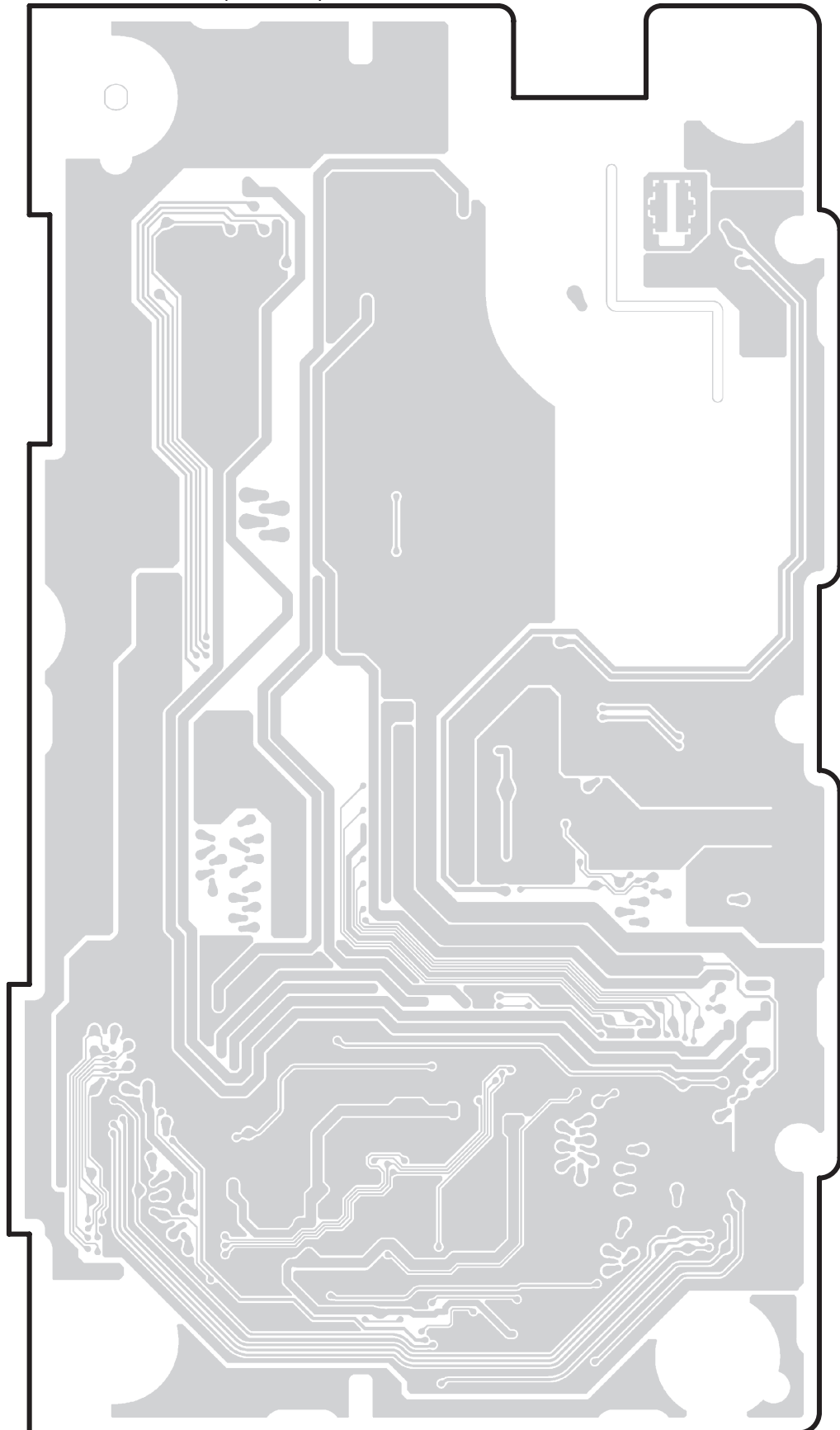
X35-4730-10

Ref. No	Address
IC1	4BJ
IC100	3BK
IC102	4BK
IC103	4BK
IC300	6BJ
IC302	6BK
IC303	6BK
Q1	5BJ
Q2	4BJ
Q3	4BI
Q4	4BK
Q5	5BJ
Q302	7BK
Q303	6BL
Q500	2BL
Q501	2BK
Q502	2BL
Q503	2BL
Q504	2BL

Refer to the schematic diagram for the values of resistors and capacitors.

PC BOARD (FOIL SIDE VIEW)

VIDEO UNIT X35-4730-10 (J76-0384-22)

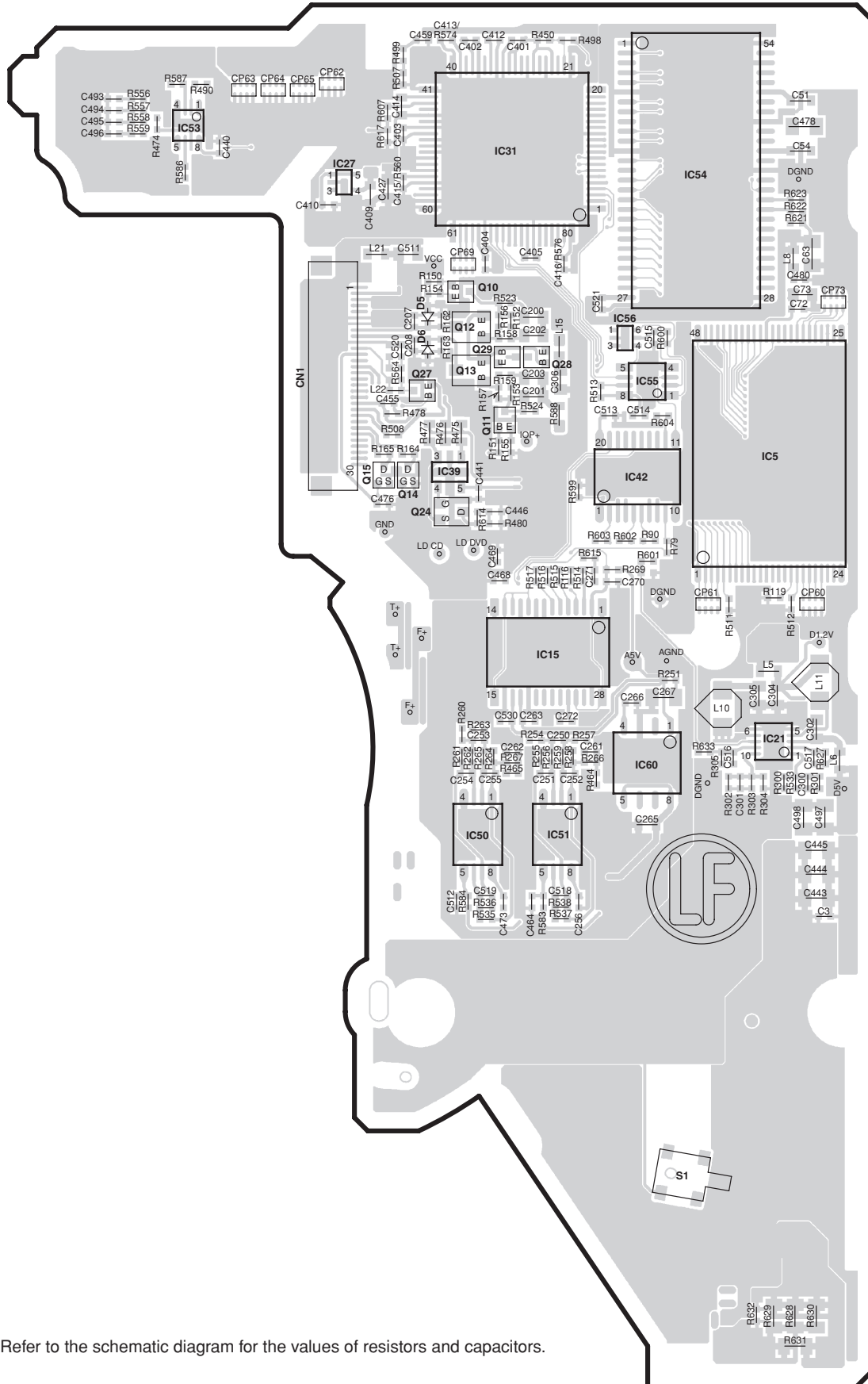


Refer to the schematic diagram for the values of resistors and capacitors.

DDX8019/8029/8029Y/8039

PC BOARD (COMPONENT SIDE VIEW)

DVD UNIT X37-1120-03 (J76-0162-02)



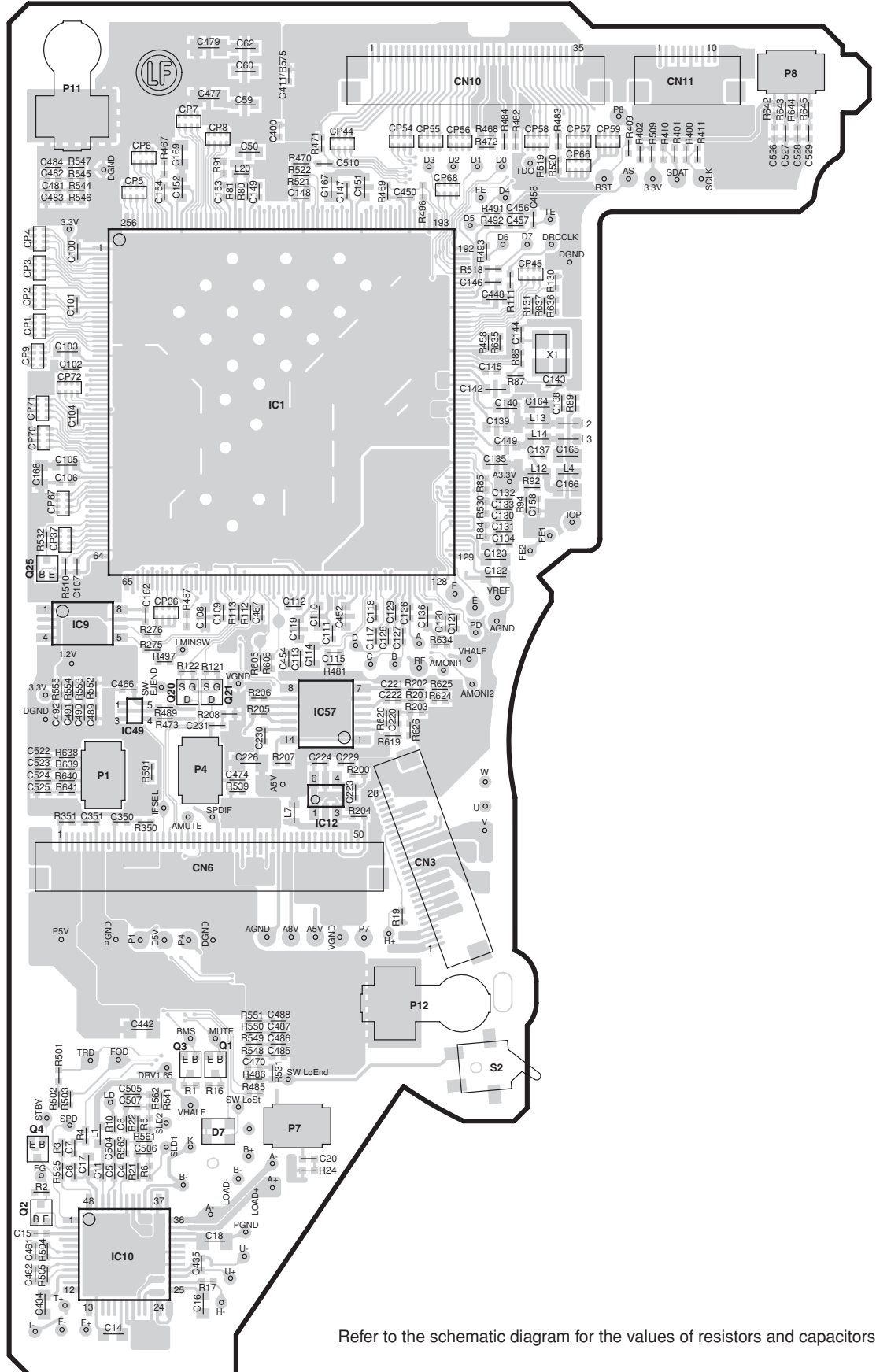
X37-1120-03

Ref. No	Address
IC5	3BV
IC15	4BU
IC21	4BV
IC39	3BU
IC42	3BV
IC50	5BU
IC51	5BU
IC54	2BV
IC55	3BV
IC60	5BV
Q10	3BU
Q11	3BU
Q12	3BU
Q13	3BU
Q14	3BU
Q15	3BT
Q24	3BU
Q27	3BU
Q28	3BU
Q29	3BU

Refer to the schematic diagram for the values of resistors and capacitors.

PC BOARD (FOIL SIDE VIEW)

DVD UNIT X37-1120-03 (J76-0162-02)



X37-1120-03

Ref. No	Address
IC1	3BZ
IC9	4BY
IC10	7BY
IC12	5BZ
IC49	4BY
IC57	4BZ
Q1	6BY
Q2	6BX
Q3	6BY
Q4	6BX
Q20	4BY
Q21	4BY
Q25	4BX

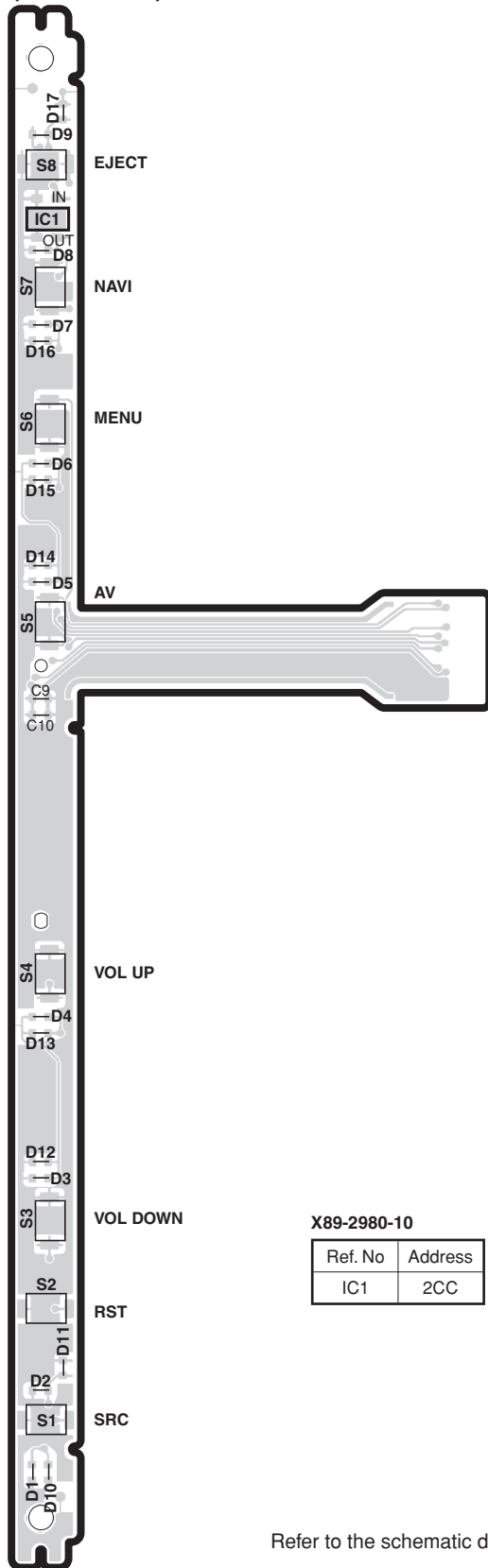
Refer to the schematic diagram for the values of resistors and capacitors.

DDX8019/8029/8029Y/8039

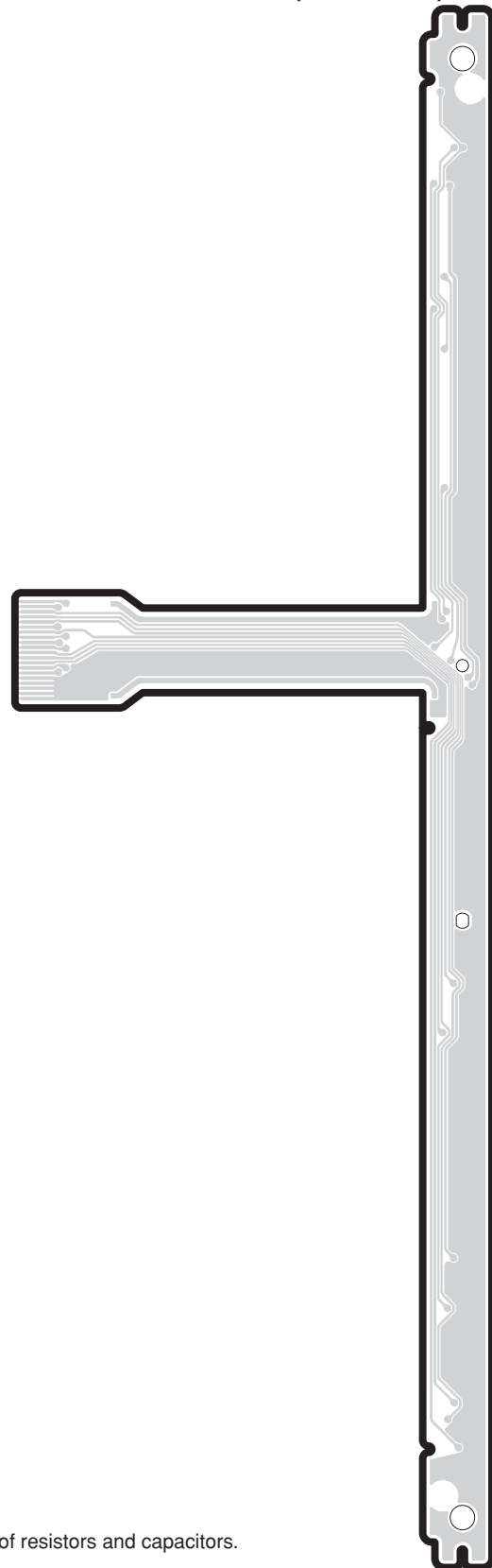
PC BOARD (COMPONENT SIDE VIEW)

(FOIL SIDE VIEW)

DAUGHTER UNIT
X89-2980-10
(J86-0023-05)



DAUGHTER UNIT
X89-2980-10
(J86-0023-05)

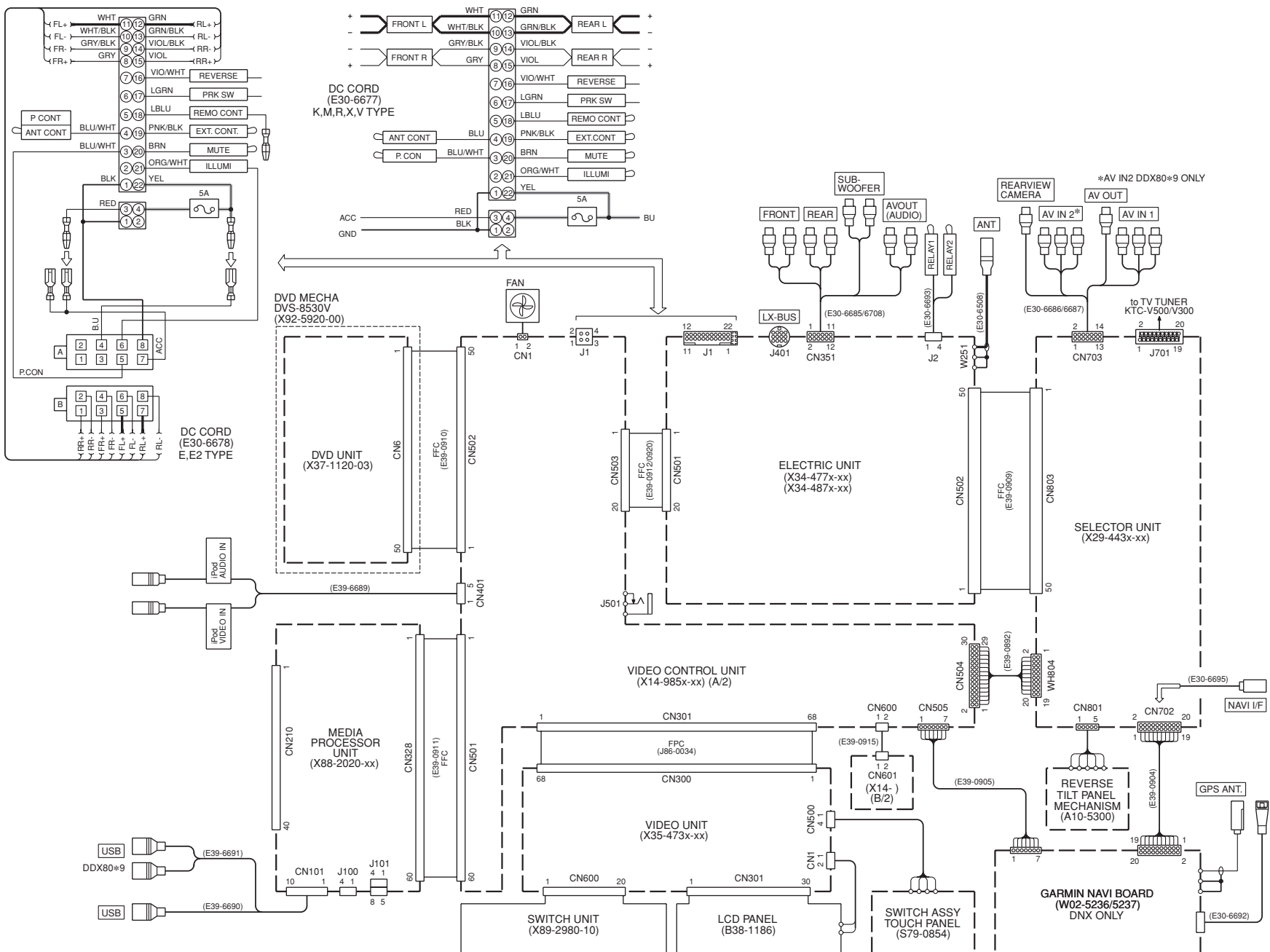


X89-2980-10

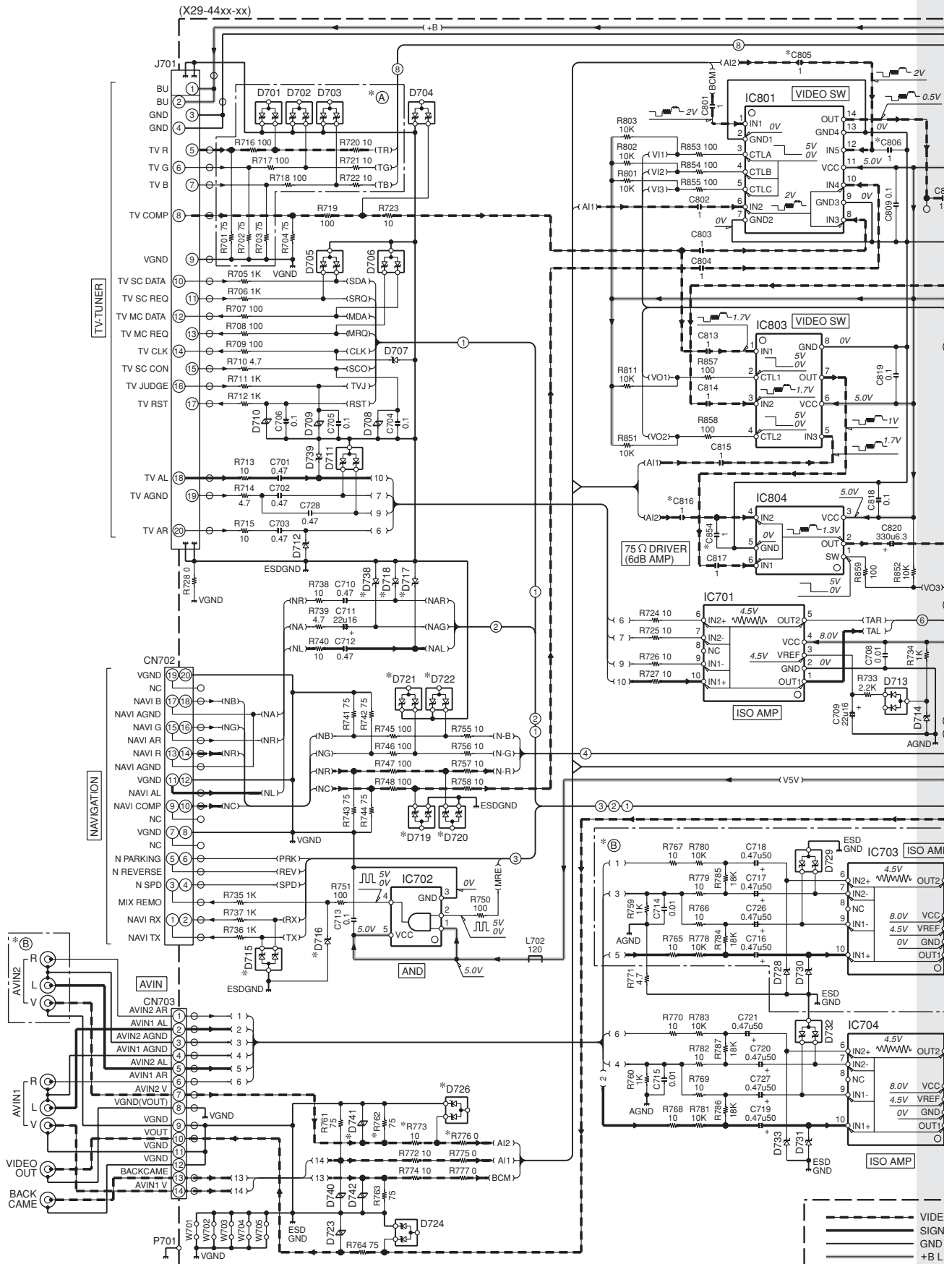
Ref. No	Address
IC1	2CC

Refer to the schematic diagram for the values of resistors and capacitors.

INTERCONNECTION DIAGRAM

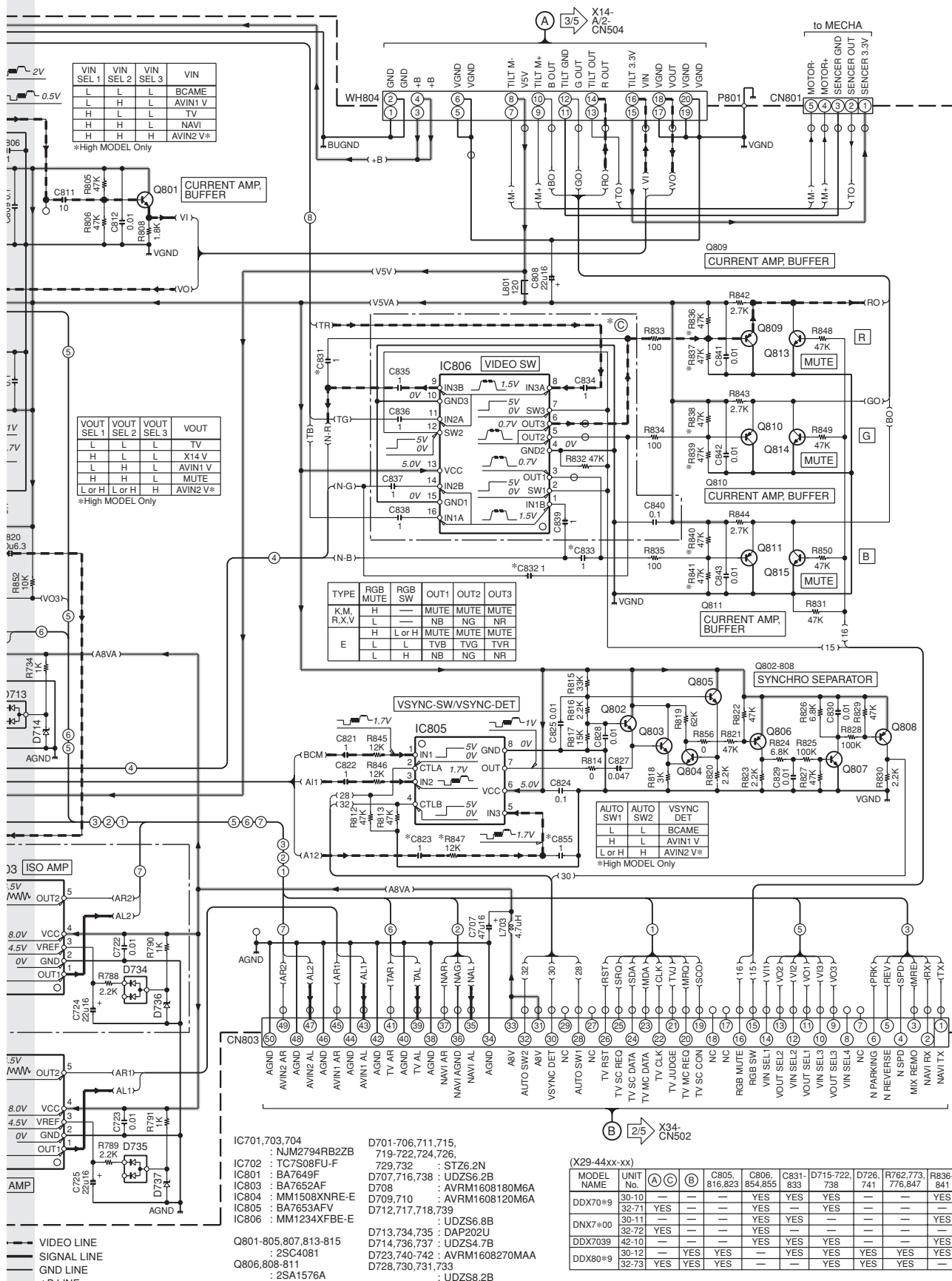


DDX8019/8029/8029Y/8039



CAUTION : For continued safety, replace safety critical components only with manufacturer's recommended parts (refer to parts list).

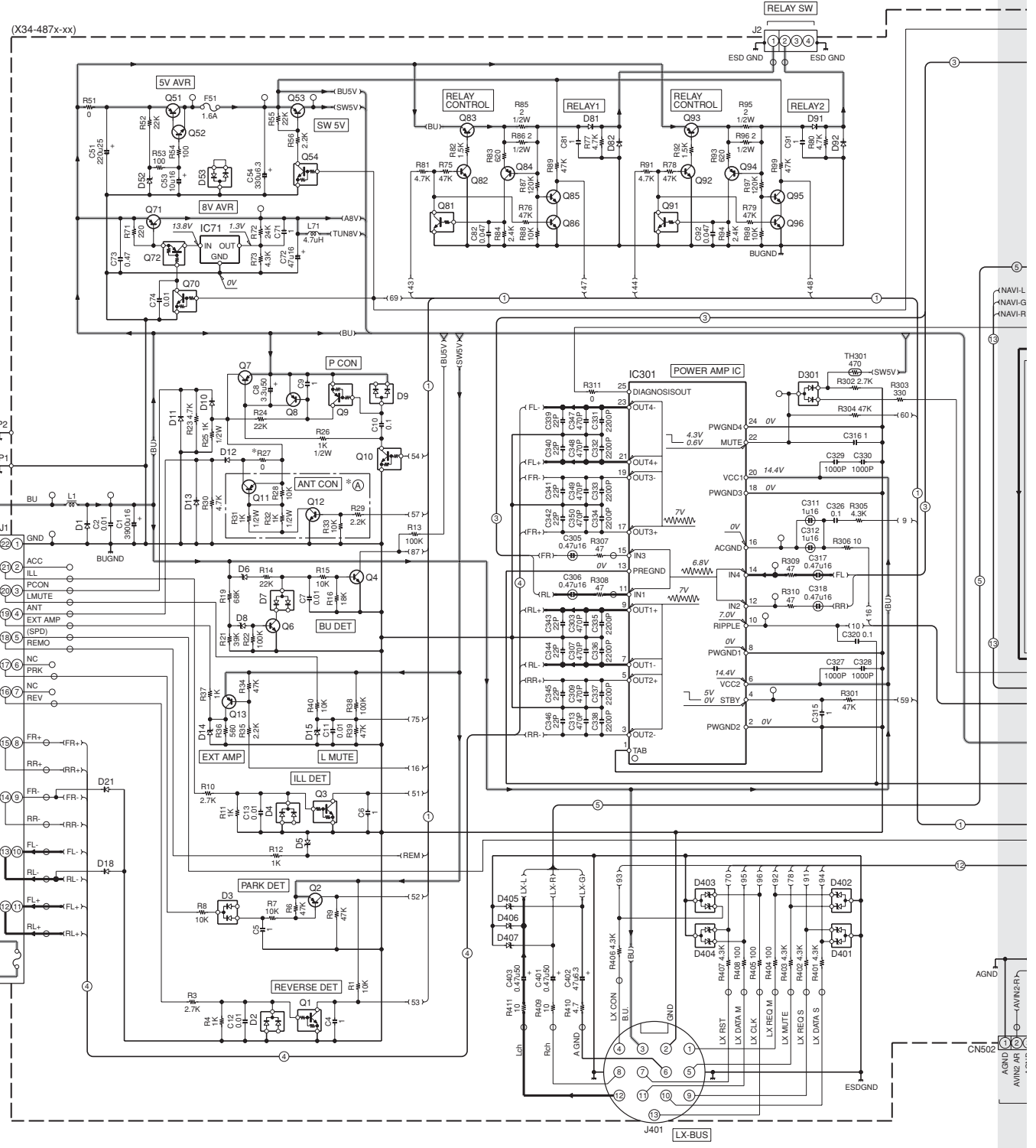
△ Indicates safety critical components. To reduce the risk of electric shock, leakage-current or resistance measurements shall be carried out (exposed parts are acceptably insulated from the supply circuit) before the appliance is returned to the customer.

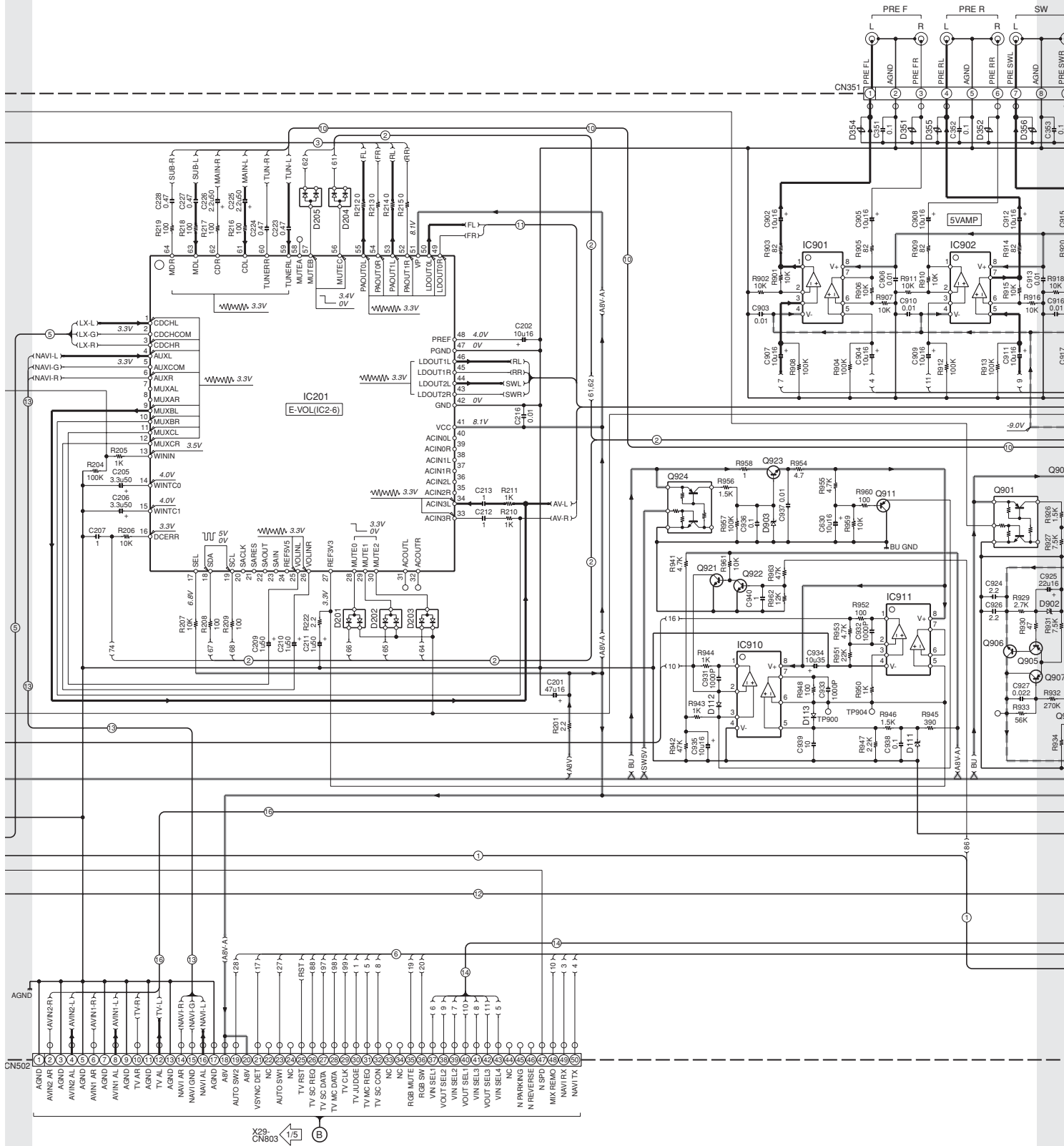


• DC voltages are as measured with a high impedance voltmeter. Values may vary slightly due to variations between individual instruments or/and units.

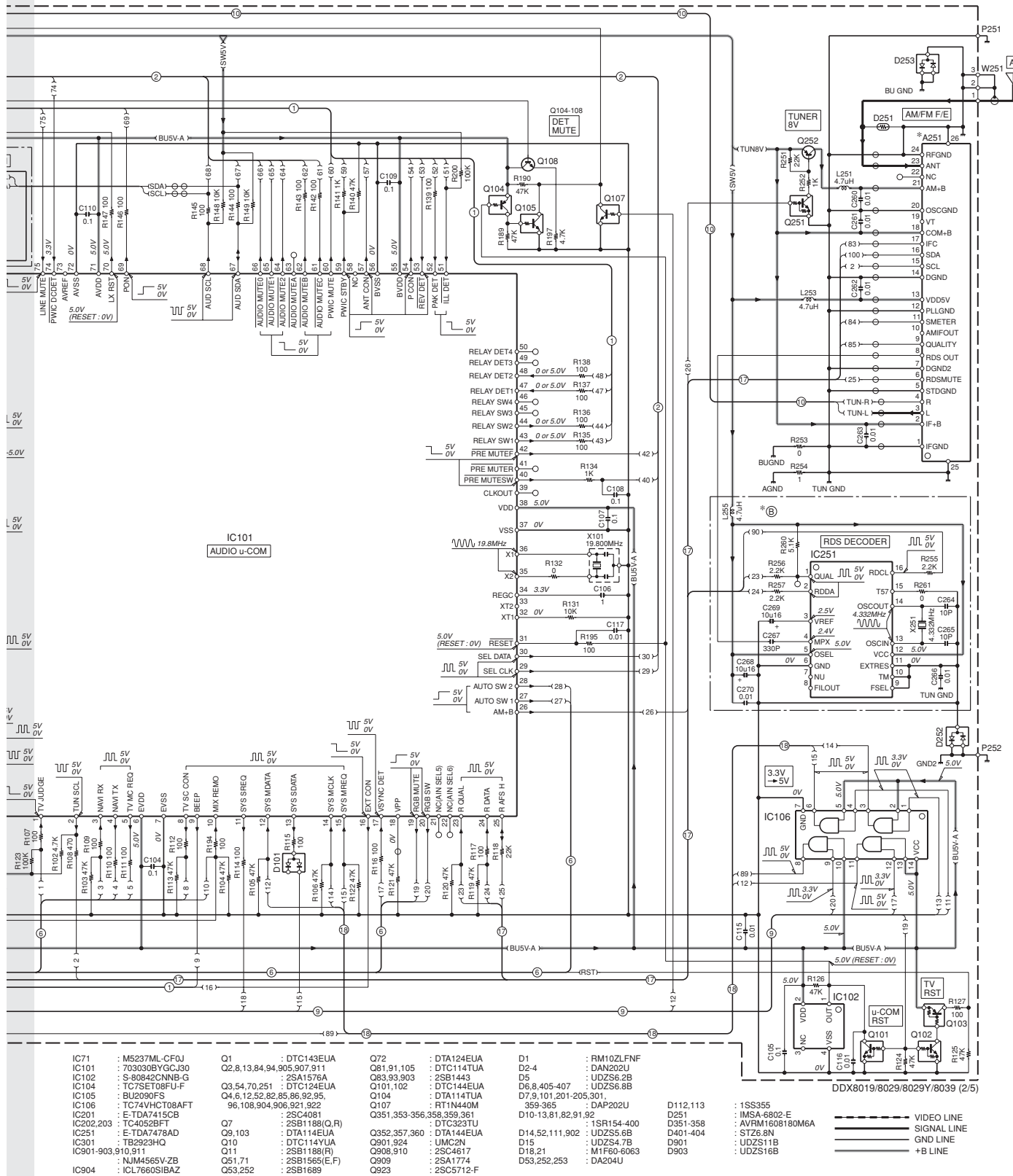
MODEL NAME	UNIT No.	(A)	(B)	C805, 816,823	C806, 854,855	C831-833	D715-722, 738	D726, 741	R762,773, 776,847	R836-841
DDX70*9	30-10	—	—	—	—	—	—	—	—	—
	32-71	YES	—	—	—	—	—	—	—	—
	30-11	—	—	—	—	—	—	—	—	—
DNX7*00	32-72	YES	—	—	—	—	—	—	—	—
	42-10	—	—	—	—	—	—	—	—	—
DDX7039	42-10	—	—	—	—	—	—	—	—	—
	30-12	—	YES	YES	—	—	YES	YES	YES	YES
DDX80*9	32-73	YES	YES	YES	—	—	YES	YES	YES	YES

DDX8019/8029/8029Y/8039 (1/5)



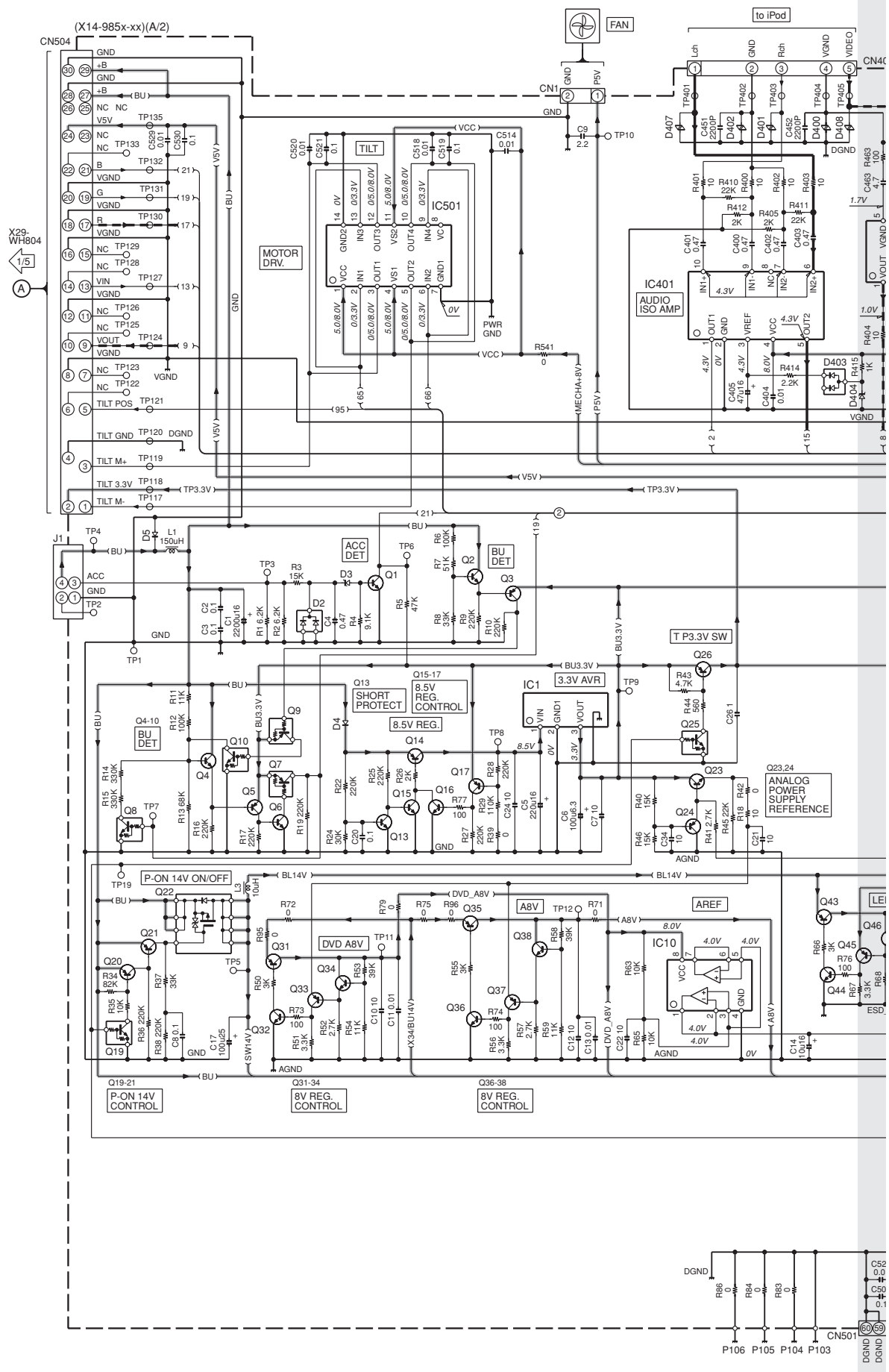


DDX8019/8029/8029Y/8039

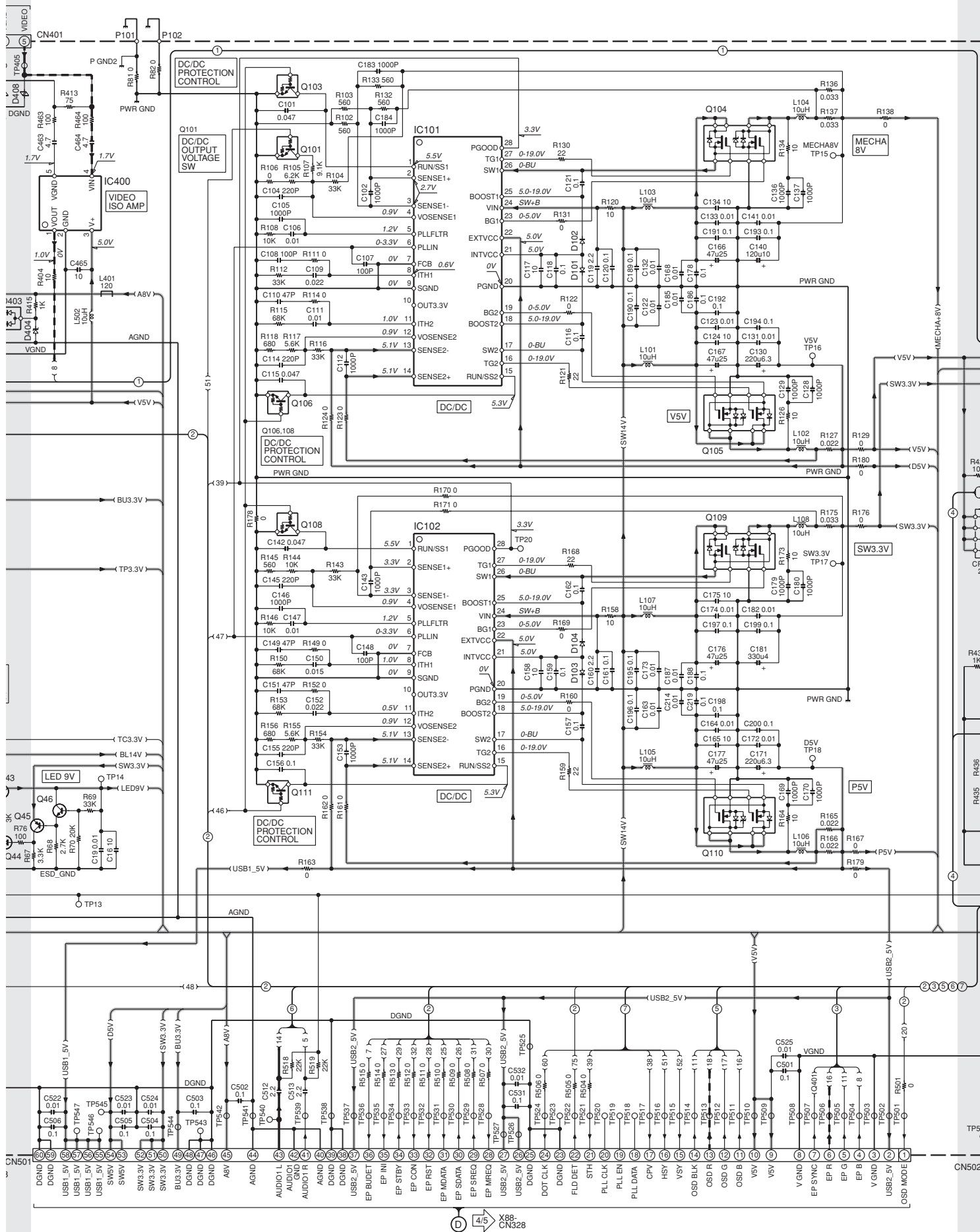


CAUTION : For continued safety, replace safety critical components only with manufacturer's recommended parts (refer to parts list).
 ⚠ Indicates safety critical components. To reduce the risk of electric shock, leakage-current or resistance measurements shall be carried out (exposed parts are acceptably insulated from the supply circuit) before the appliance is returned to the customer.

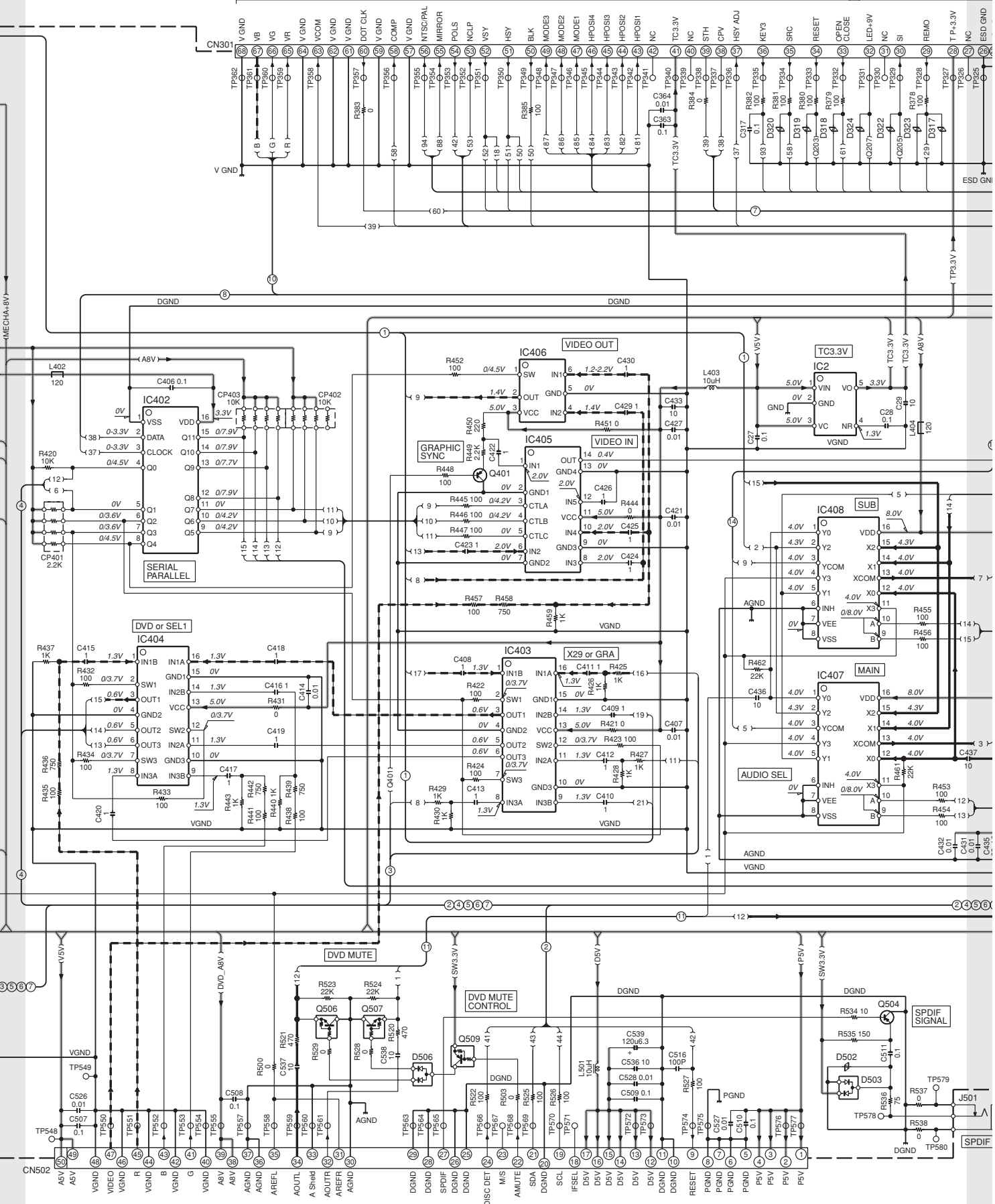
- DC voltages are as measured with a high impedance voltmeter. Values may vary slightly due to variations between individual instruments or/and units.



DDX8019/8029/8029Y/8039

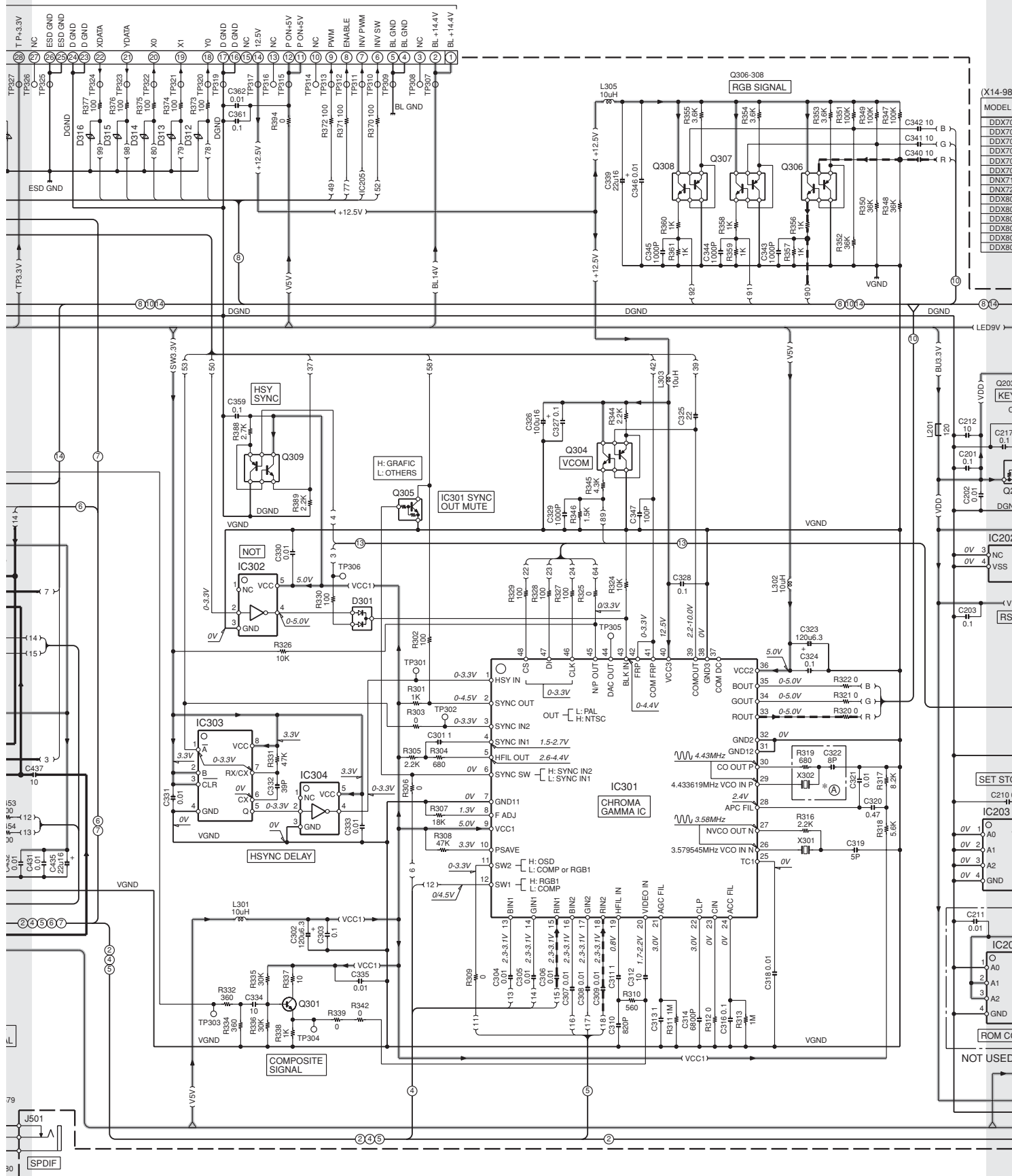


F 5/5 X35-CN300



to DVD UNIT X37-112 CN6

DDX8019/8029/8029Y/8039

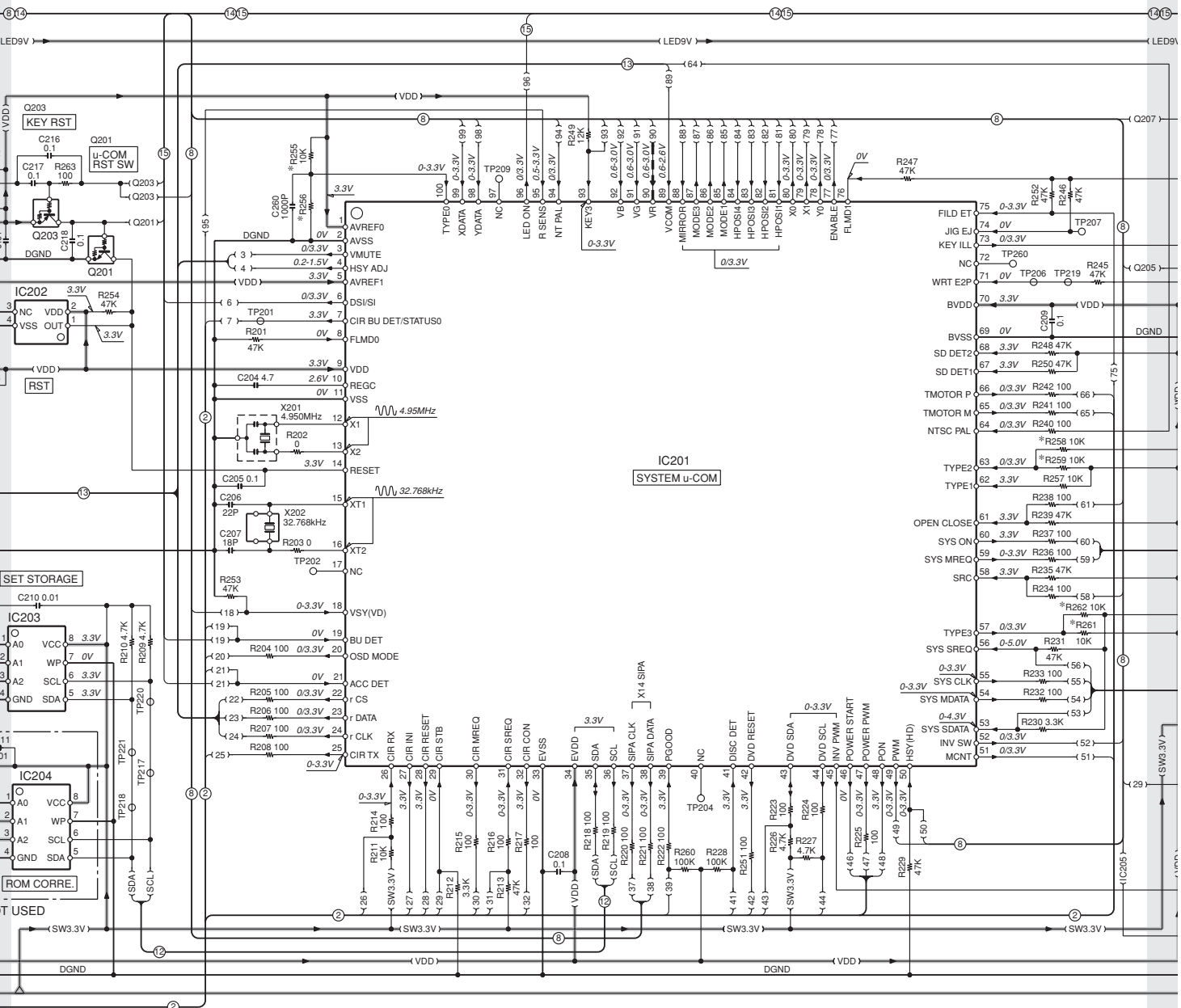
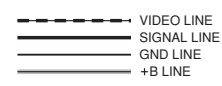


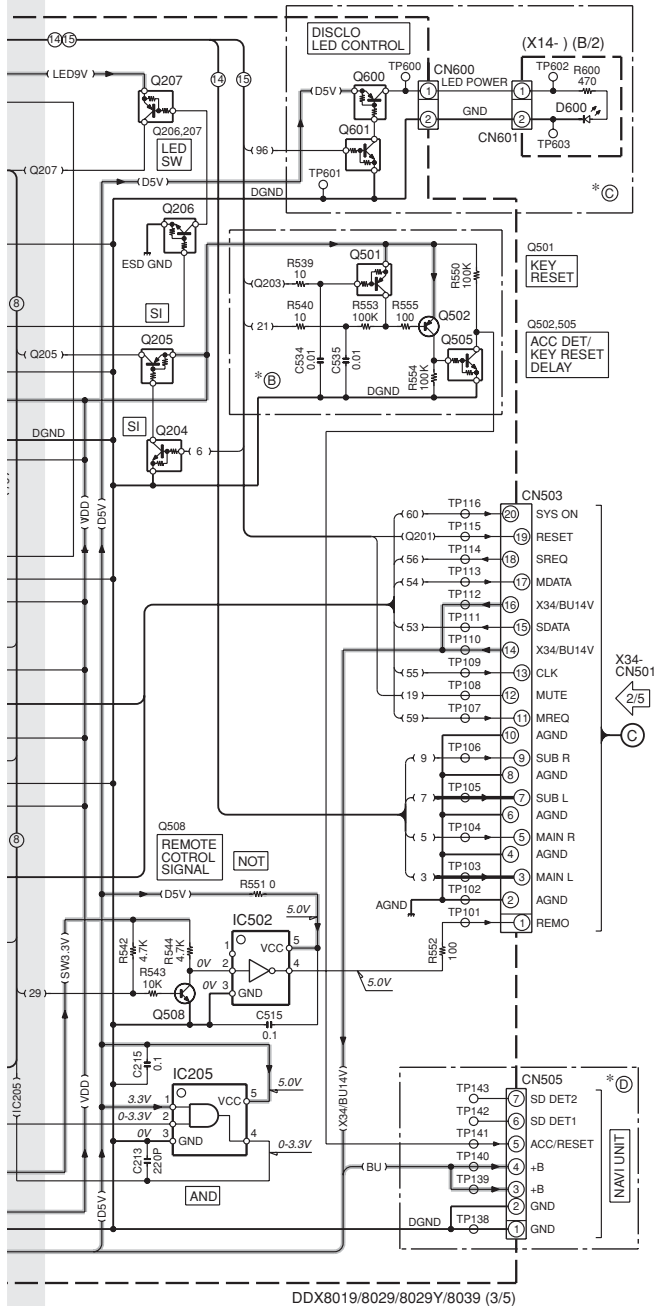
DDX8019/8029/8029Y/8039

MODEL NAME	UNIT No.	(A)	(B)	(D)	(C)	R255	R256	R258	R259	R261	R262
DDX7019	0-10	—	—	—	—	10K	YES	—	—	—	YES
DDX7029	2-71	YES	—	—	—	3.3K	YES	—	—	—	YES
DDX7029Y	0-21	YES	—	—	—	10K	YES	—	—	—	YES
DDX7039	0-71	YES	—	—	—	30K	YES	—	—	—	YES
DDX7039Y	3-21	YES	—	—	—	10K	YES	—	—	—	YES
DNX7100	0-11	—	YES	—	—	10K	—	YES	—	—	YES
DNX7200	2-72	YES	YES	—	—	3.3K	—	YES	—	—	YES
DDX8019	0-12	—	—	YES	—	10K	YES	—	YES	—	—
DDX8029	2-73	YES	—	YES	YES	3.3K	YES	—	YES	—	—
DDX8029Y	0-71	YES	—	—	—	30K	YES	—	—	—	YES
DDX8039	0-22	YES	—	YES	YES	10K	YES	—	YES	—	—
DDX8039Y	0-72	YES	—	YES	YES	30K	YES	—	YES	—	—
DDX8039	3-22	—	—	YES	YES	—	YES	—	—	YES	—

- IC1 : SI-3033KMS
- IC2 : P01X331M2ZPH
- IC10 : NUM4565V-ZB
- IC101,102 : LTC3728LEGN
- IC201 : 703261YGC315A
- IC202 : S1000N30N4T1G
- IC203 : BR24L08FV-W
- IC204 : NOT USED
- IC205 : TC7SET08FU-F
- IC301 : RB5P090M
- IC302,502 : TC7SET04FU-F
- IC303 : TC7WH123FU-F
- IC304 : TC7SH04FU-F
- IC400 : NJM2505AF-ZB
- IC401 : NJM2794RB2ZB
- IC402 : BU2090FS
- IC403,404 : MM1234XFBE-E
- IC405 : BA7649F
- IC406 : MM1503-E
- IC407,408 : TC4052BFT
- IC501 : LB1836M-TLM-E

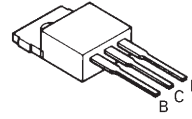
- D2,301 : DAN202U
- D3 : UDZ56,2B
- D4 : EP05Q04
- D5 : ISR154-400
- D101-104 : ISS357-F
- D312-320,322,323 : 401,402,407 : AVR1608120M6A
- D324 : AVR1608180M6A
- D400,408,502 : AVR1608270M6A
- D403,506 : DAP202U
- D404 : UDZ54,7B
- D503 : DA204U



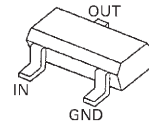


DDX8019/8029/8029Y/8039 (3/5)

2SB1565



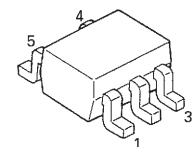
DTA114EUA
DTA114TUA
DTA124EUA
DTC114EUA
DTC123JUA
DTC124EUA
DTC143EUA
DTC144EUA



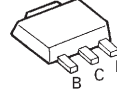
DTA143XE
DTA143ZE
DTA144EUA
DTB123YK
DTC114YUA
2SA1576A
2SC4617



UMC2N



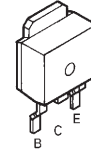
2SB1188



DAN202U



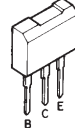
2SB1184



DAP202U
DA204U



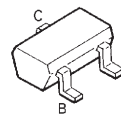
2SB1443



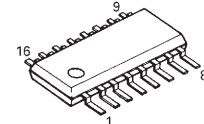
2SK3019



DTC323TU
2SA1774
2SC4081

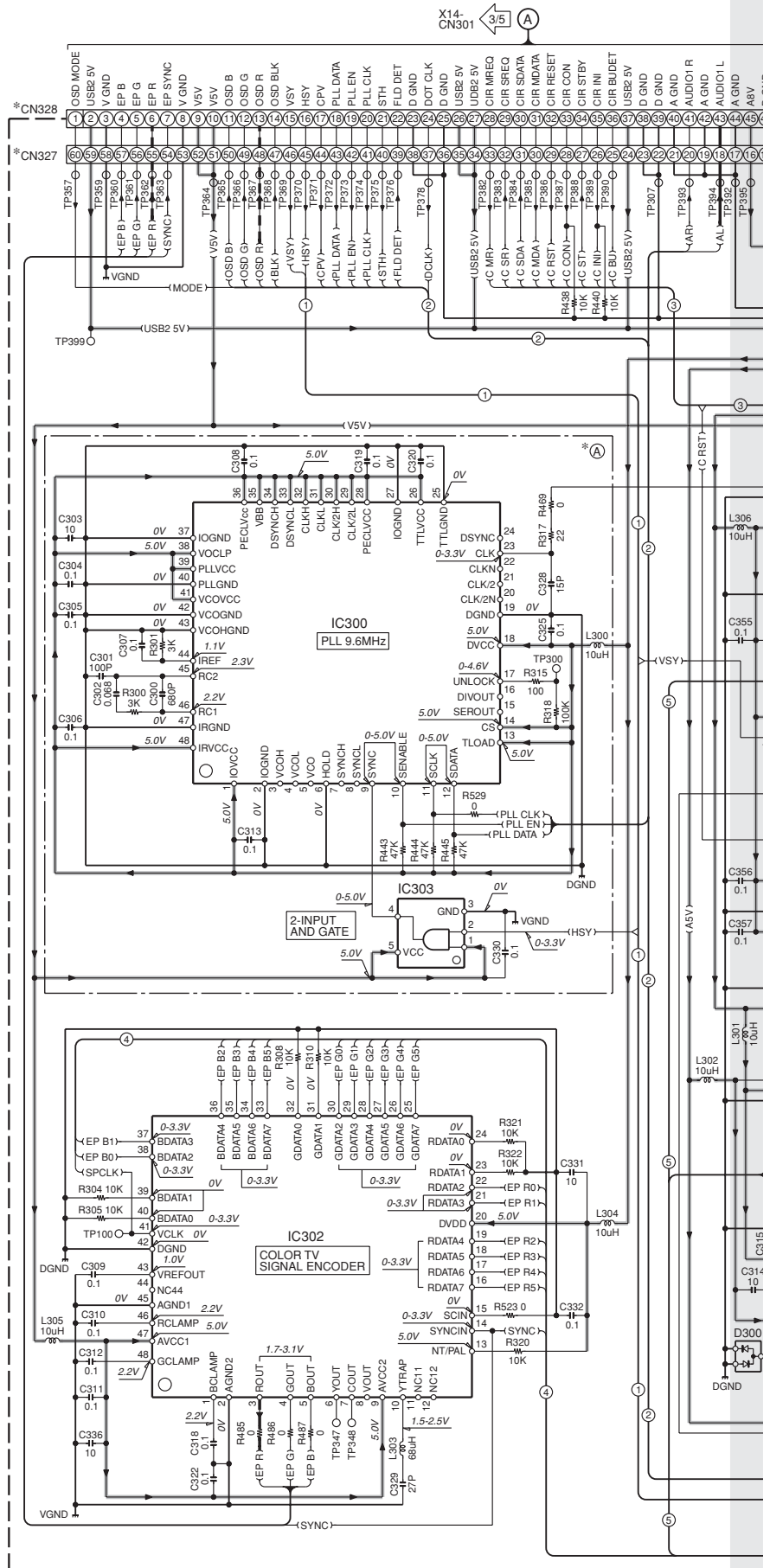


BU2090FS

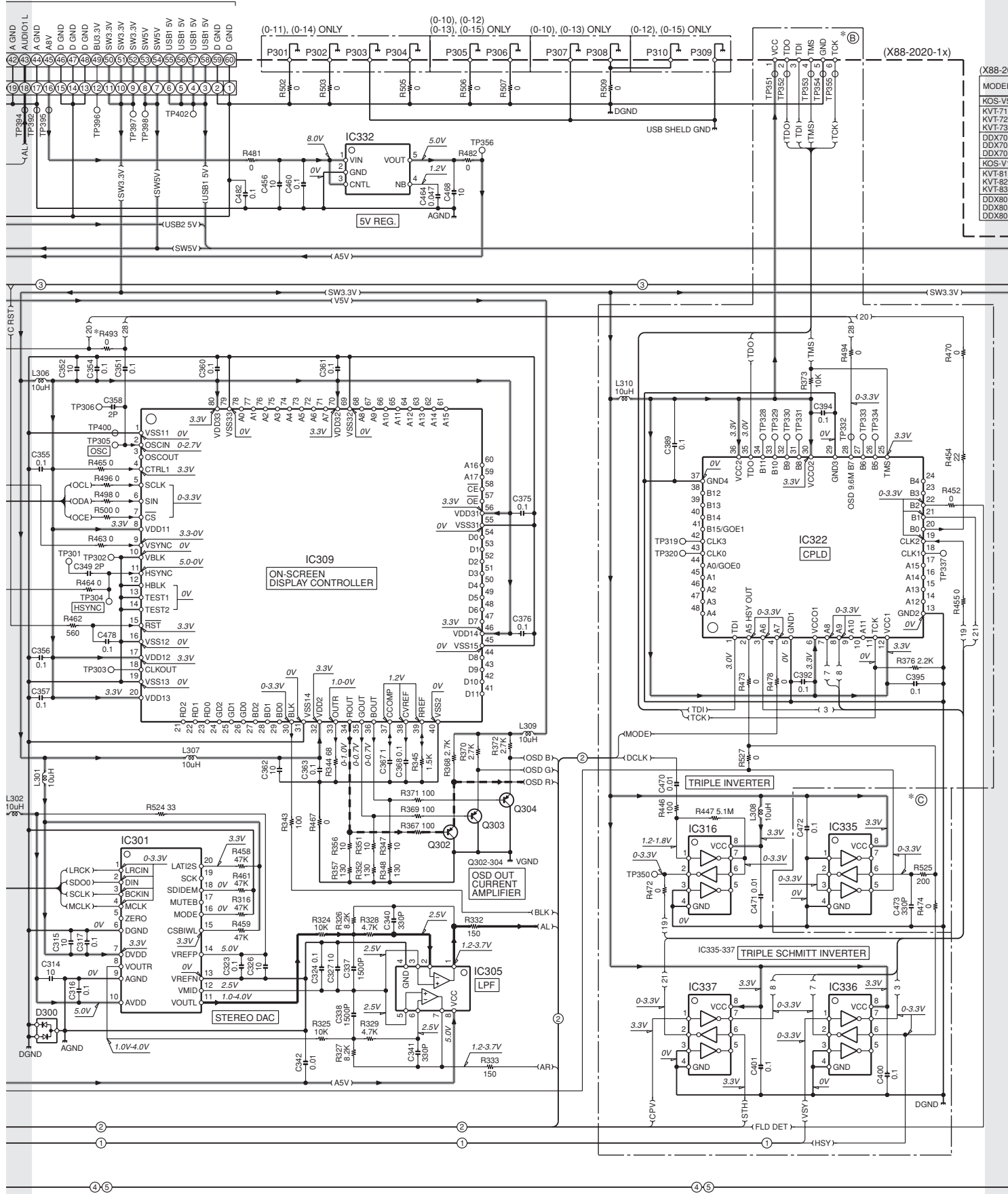


CAUTION : For continued safety, replace safety critical components only with manufacturer's recommended parts (refer to parts list).
⚠ Indicates safety critical components. To reduce the risk of electric shock, leakage-current or resistance measurements shall be carried out (exposed parts are acceptably insulated from the supply circuit) before the appliance is returned to the customer.

- DC voltages are as measured with a high impedance voltmeter. Values may vary slightly due to variations between individual instruments or/and units.



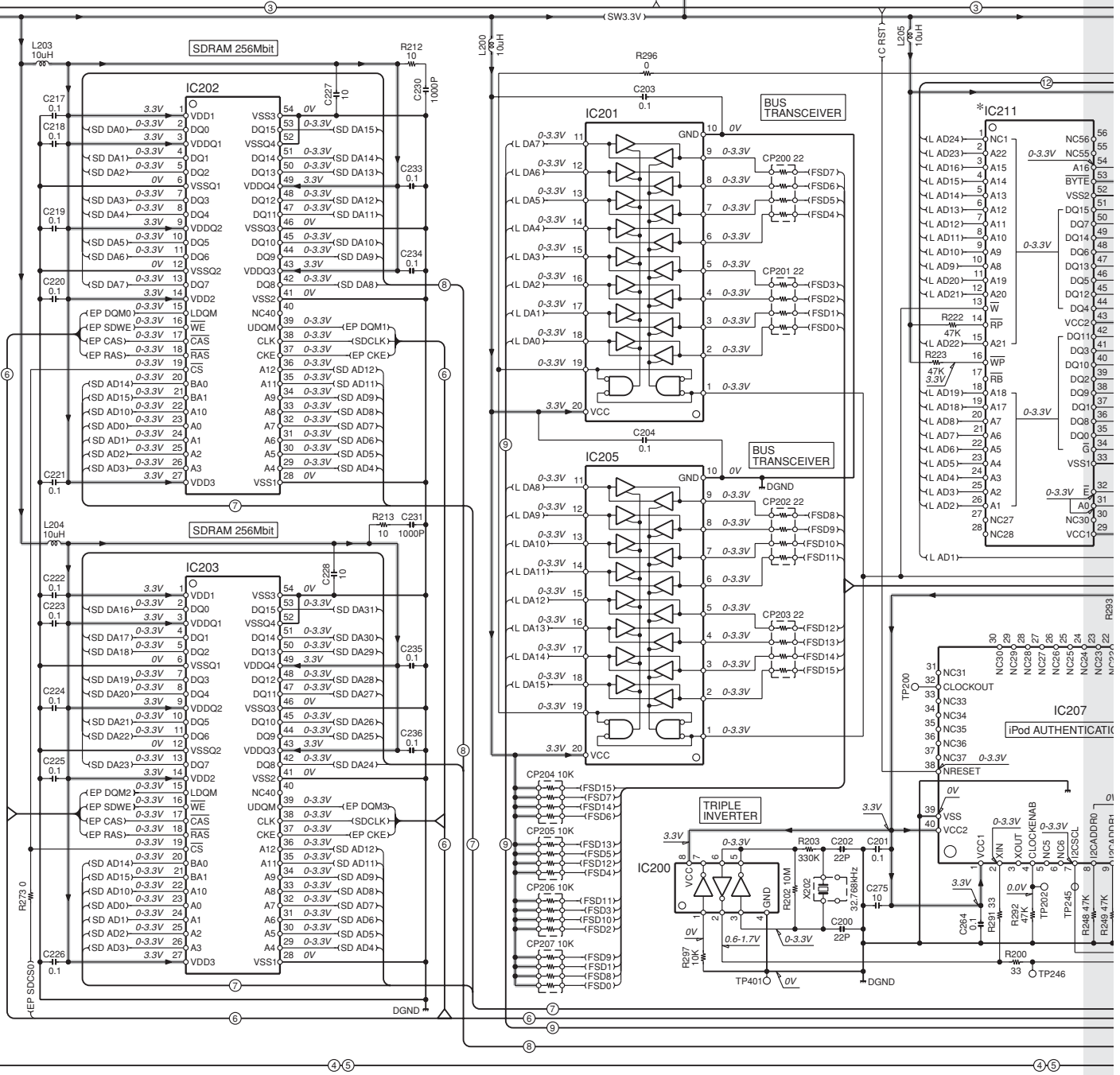
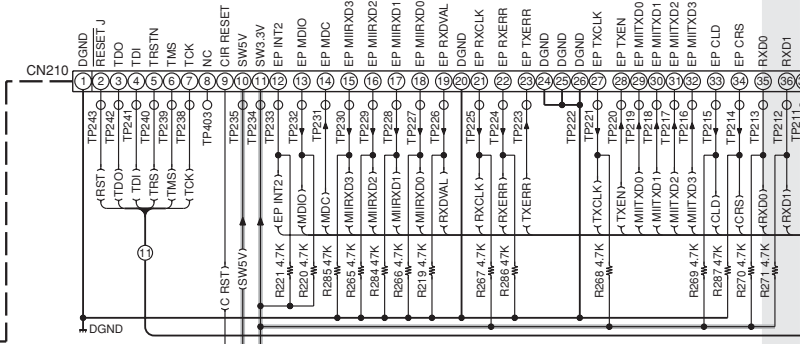
DDX8019/8029/8029Y/8039



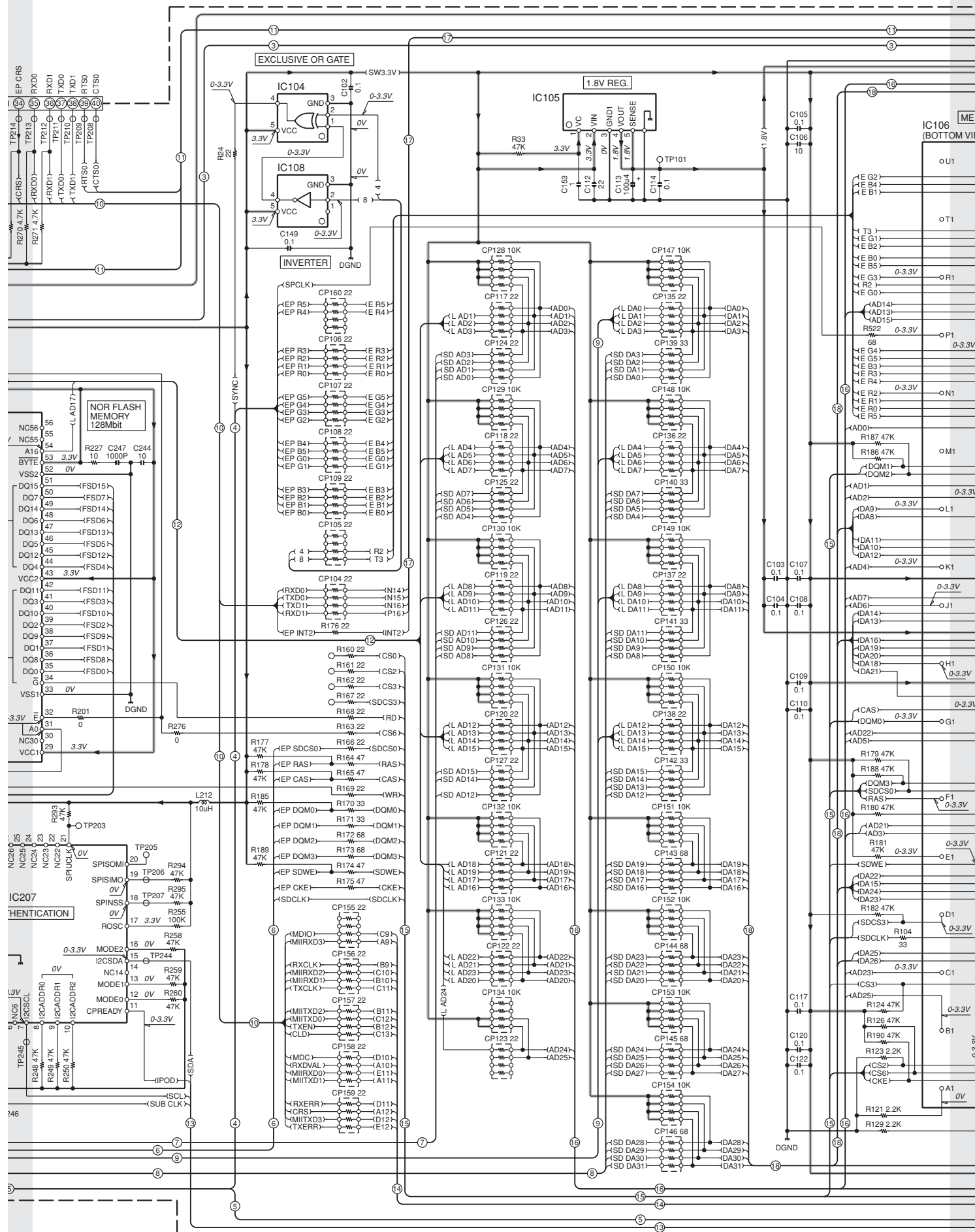
DDX8019/8029/8029Y/8039

(X88-2020-1x)

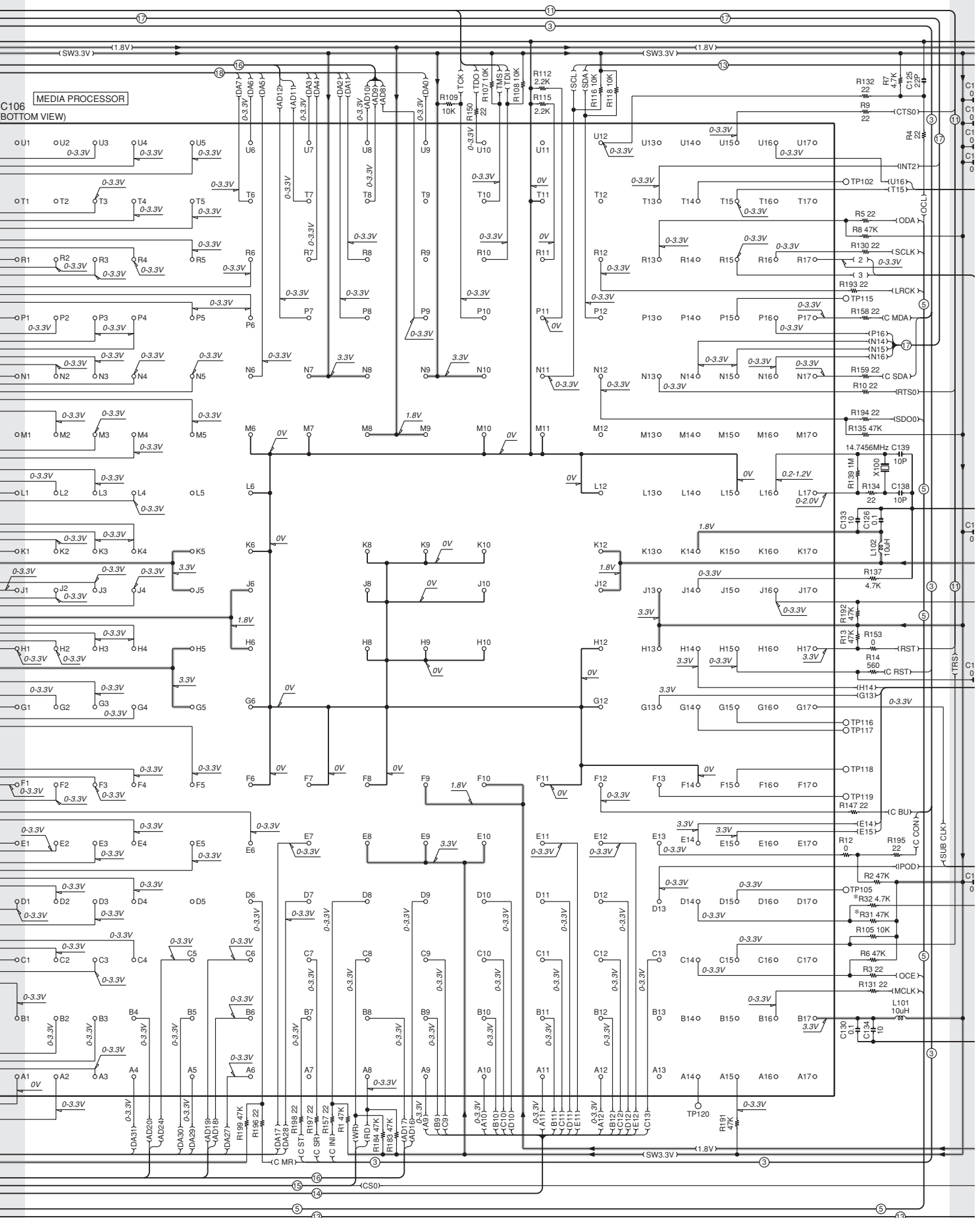
MODEL NAME	UNIT No.	(A)	(C)	(B)	(D)	CN101	CN327	CN328	IC211	J100	J101	R31	R32	R493
KOS-V500	0-10	YES	—	—	—	—	—	—	DW128F70NF5X2	YES	—	YES	—	YES
KVT-719DVD	0-11	—	YES	—	—	YES	—	—	DW128F70NF9W7	—	—	—	—	—
KVT-729DVD	0-11	—	YES	—	—	YES	—	—	DW128F70NF9W7	—	—	—	—	—
KVT-739DVD	0-11	—	YES	—	—	YES	—	—	DW128F70NF9W7	—	—	—	—	—
DDX7019	0-12	—	YES	—	—	YES	—	—	DW128F70NF9W7	—	—	—	—	—
DDX7029Y	0-12	—	YES	—	—	YES	—	—	DW128F70NF9W7	—	—	—	—	—
DDX7039	0-12	—	YES	—	—	YES	—	—	DW128F70NF9W7	—	—	—	—	—
KOS-V1000	0-13	YES	—	YES	—	—	—	—	DW128F70NF5X2	—	YES	—	YES	YES
KVT-819DVD	0-14	—	YES	YES	YES	YES	—	—	DW128F70NF5X2	—	—	—	YES	—
KVT-829DVD	0-14	—	YES	YES	YES	YES	—	—	DW128F70NF5X2	—	—	—	YES	—
KVT-839DVD	0-14	—	YES	YES	YES	YES	—	—	DW128F70NF5X2	—	—	—	YES	—
DDX8019	0-15	—	YES	YES	YES	—	—	—	DW128F70NF5X2	—	—	—	—	—
DDX8029Y	0-15	—	YES	YES	YES	—	—	—	DW128F70NF5X2	—	—	—	—	—
DDX8039	0-15	—	YES	YES	YES	—	—	—	DW128F70NF5X2	—	—	—	—	—

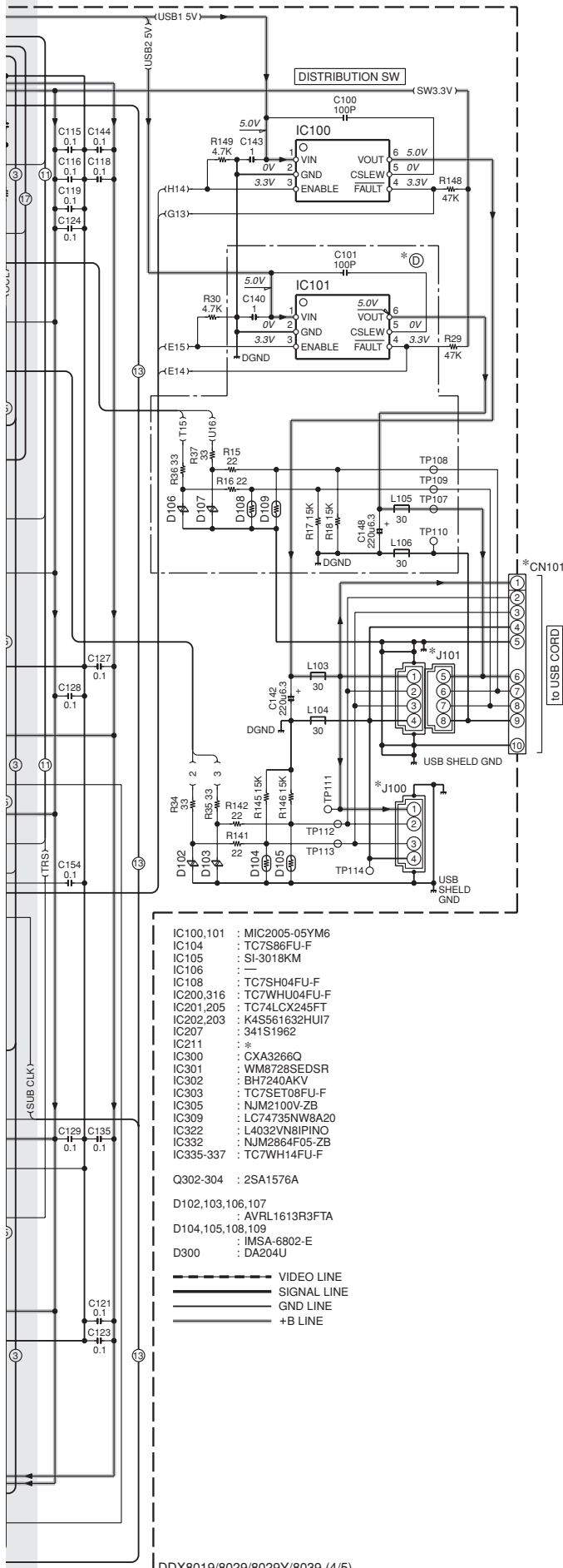


DDX8019/8029/8029Y/8039



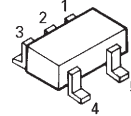
DDX8019/8029/8029Y/8039



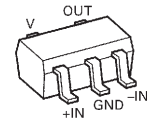


DDX8019/8029/8029Y/8039 (4/5)

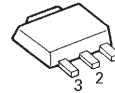
TC7SH04FU-F
 TC7S08FU-F
 TC7S86FU-F



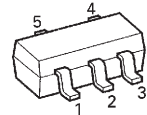
NJM2107F-ZB



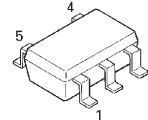
M5237ML-CF0J



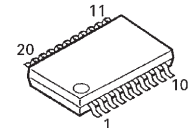
TC7SET04FU-F



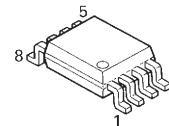
TC7SET08FU-F



TC74VHC273FT



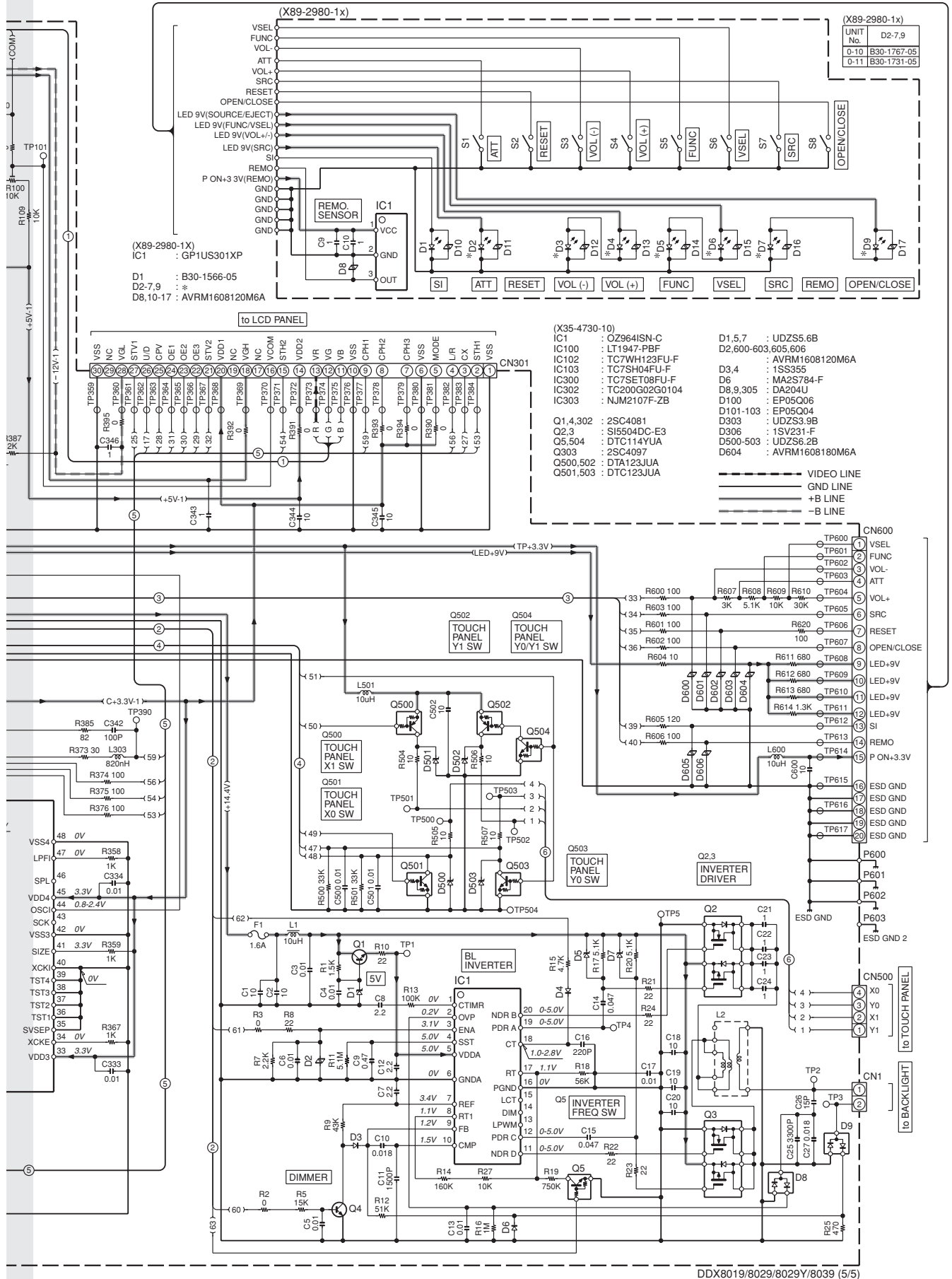
NJM2100V-ZB
 NJM4580V-ZB
 TC7WHU04FU-F
 TC7WH123FU-F



CAUTION : For continued safety, replace safety critical components only with manufacturer's recommended parts (refer to parts list).
 ⚠ Indicates safety critical components. To reduce the risk of electric shock, leakage-current or resistance measurements shall be carried out (exposed parts are acceptably insulated from the supply circuit) before the appliance is returned to the customer.

- DC voltages are as measured with a high impedance voltmeter. Values may vary slightly due to variations between individual instruments and/or units.

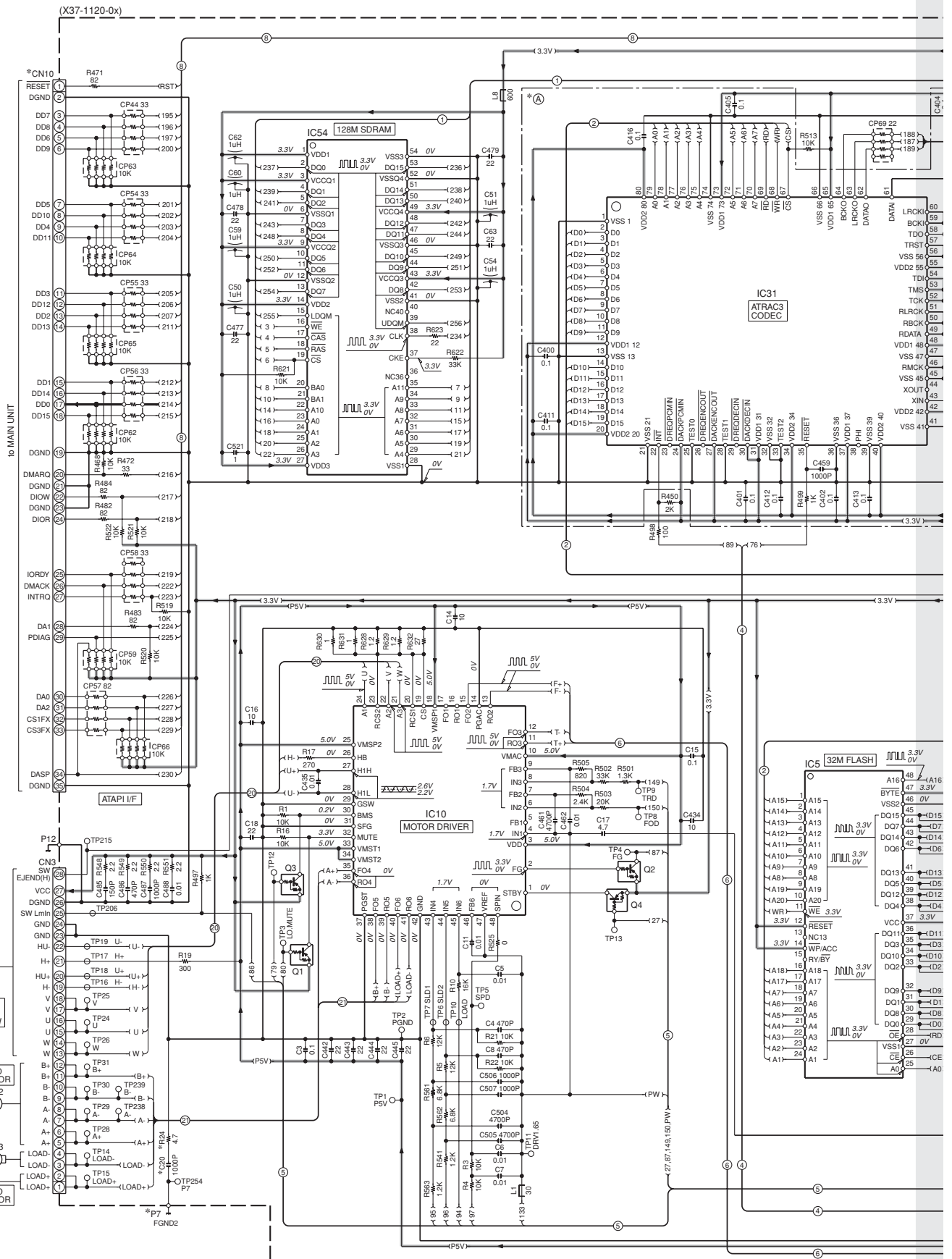
DDX8019/8029/8029Y/8039



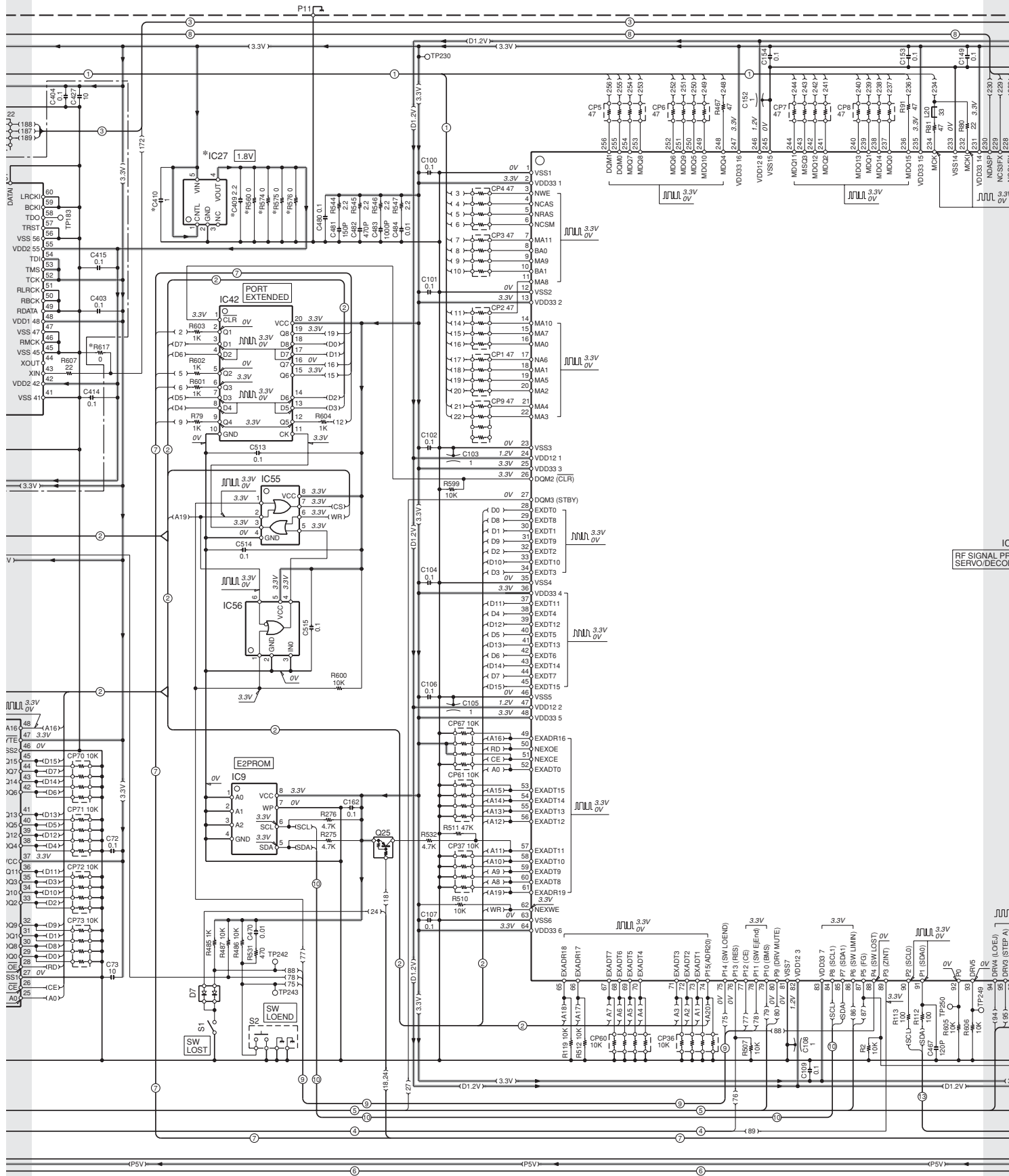
DDX8019/8029/8029Y/8039 (5/5)

- DC voltages are as measured with a high impedance voltmeter.
 Values may vary slightly due to variations between individual instruments or/and units.

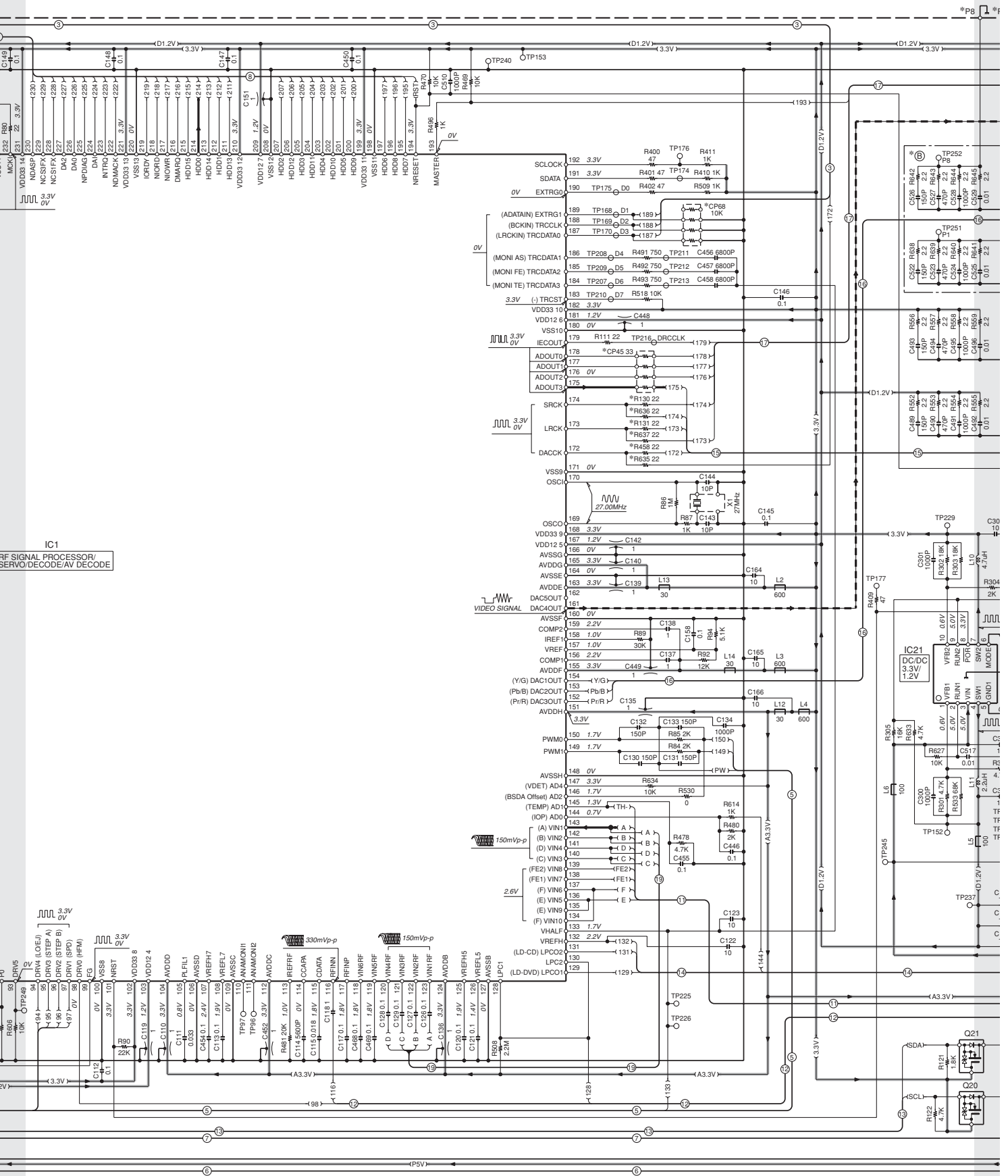
1
2
3
4
5
6
7



DDX8019/8029/8029Y/8039

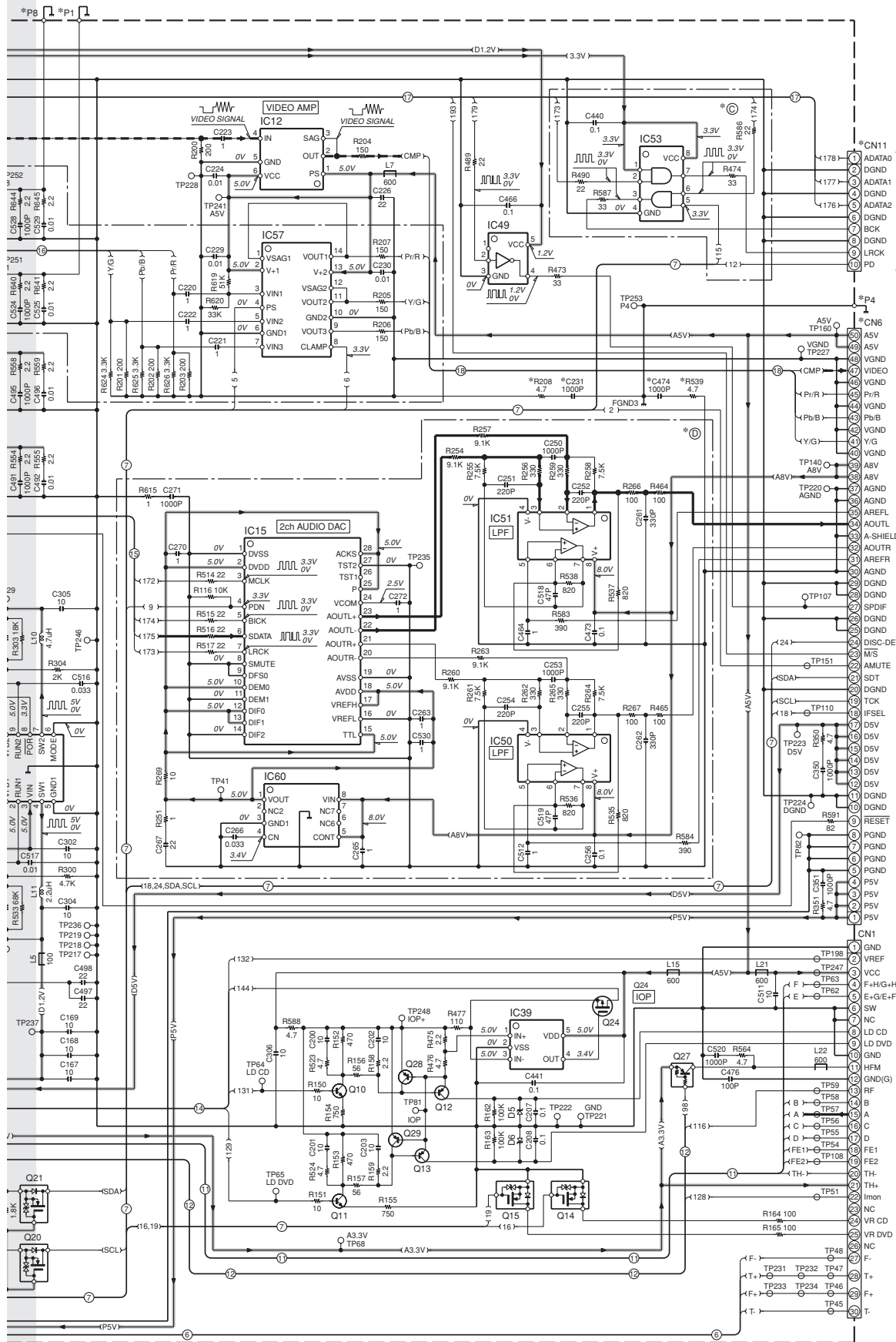


DDX8019/8029/8029Y/8039



CAUTION : For continued safety, replace safety critical components only with manufacturer's recommended parts (refer to parts list).
 ▲ Indicates safety critical components. To reduce the risk of electric shock, leakage-current or resistance measurements shall be carried out (exposed parts are acceptably insulated from the supply circuit) before the appliance is returned to the customer.

DDX8019/8029/8029Y/8039

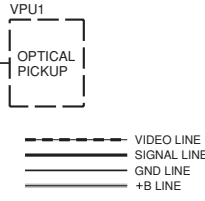


- IC1 : MN2S0016AAUB
- IC9 : S29AL32070TF1
- IC10 : S-24CS04AFT
- IC11 : AN41250A-VB
- IC12 : MM1671XNRE
- IC15 : AK4396VF
- IC21 : LTC3548DD-F
- IC27 : NJM2865F318ZB
- IC31 : LC8290-E
- IC39 : NJU7042
- IC42 : TC74HC273FT
- IC49 : TC7S04FU-F
- IC50,51 : NJM4580VZB
- IC53 : TC7WH08FK-F
- IC54 : IS45S16800TL1
- IC55 : TC7WH32FU-F
- IC56 : HD74LV1GW57AE
- IC57 : NJM2573VZB
- IC60 : MM1665AHBE

- Q1,4,25 : DTA143XE
- Q10,11 : 2SC4617
- Q12,13 : 2SB1709
- Q14,15,20,21 : 2SK3019
- Q24 : SSM3J15FU-F
- Q2 : DTA143ZE
- Q28,29 : 2SA1774

- D5,6 : 015AZ5.1-F(Y)
- D7 : 1S802-F

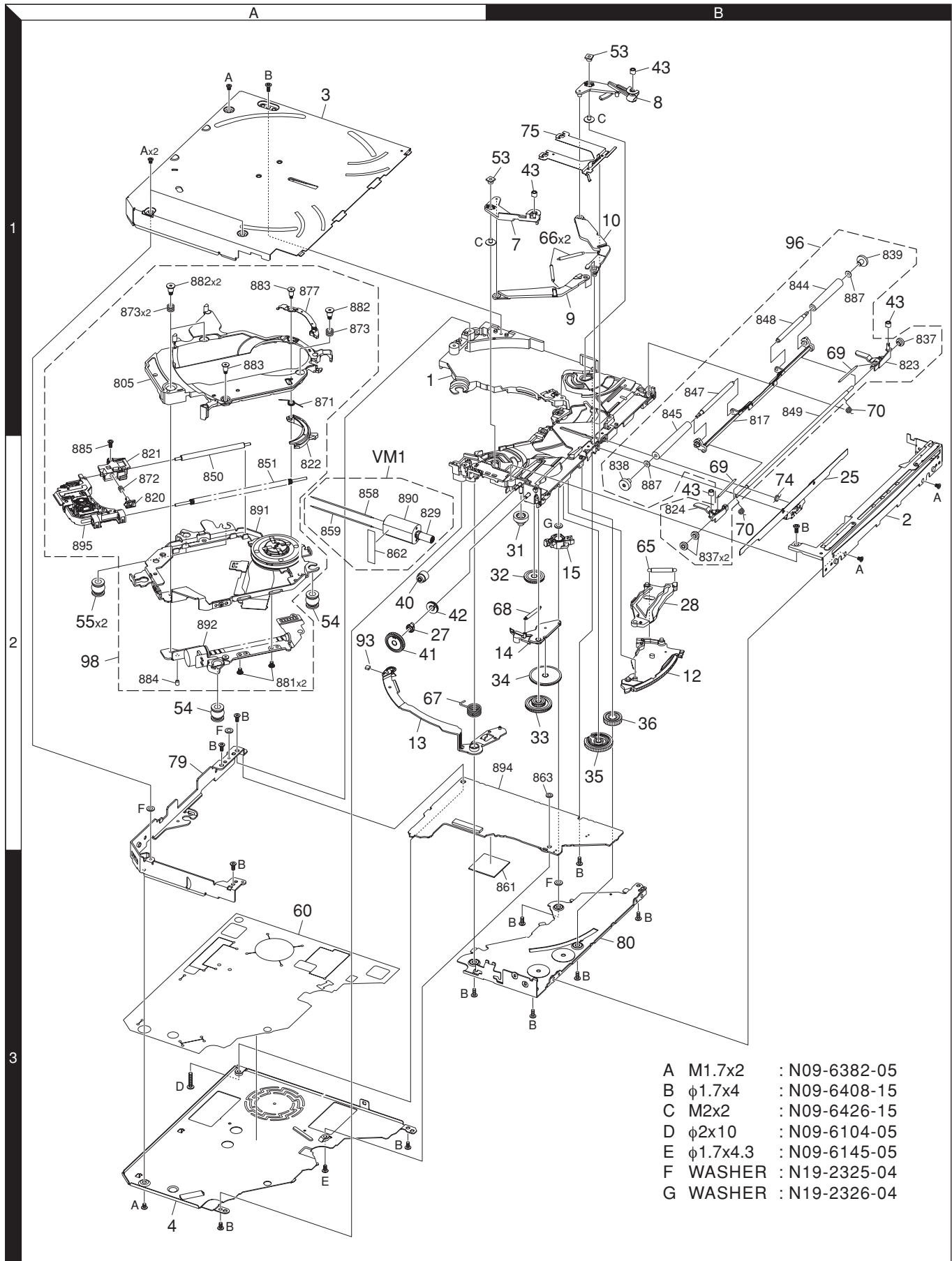
UNIT	(A)	(C)	(D)	(E)	(F)	(G)	(H)	(I)	(J)	(K)	(L)	(M)	(N)	(O)	(P)	(Q)	(R)	(S)	(T)	(U)	(V)	(W)	(X)	(Y)	(Z)
MODEL NAME	0-00	YES	YES	YES	YES	YES	YES	YES	YES	YES	YES	YES	YES	YES	YES	YES	YES	YES	YES	YES	YES	YES	YES	YES	YES
0-01	YES	YES	YES	YES	YES	YES	YES	YES	YES	YES	YES	YES	YES	YES	YES	YES	YES	YES	YES	YES	YES	YES	YES	YES	YES
0-02	YES	YES	YES	YES	YES	YES	YES	YES	YES	YES	YES	YES	YES	YES	YES	YES	YES	YES	YES	YES	YES	YES	YES	YES	YES
0-03	YES	YES	YES	YES	YES	YES	YES	YES	YES	YES	YES	YES	YES	YES	YES	YES	YES	YES	YES	YES	YES	YES	YES	YES	YES
0-04	YES	YES	YES	YES	YES	YES	YES	YES	YES	YES	YES	YES	YES	YES	YES	YES	YES	YES	YES	YES	YES	YES	YES	YES	YES



• DC voltages are as measured with a high impedance voltmeter. Values may vary slightly due to variations between individual instruments or/and units.

DDX8019/8029/8029Y/8039

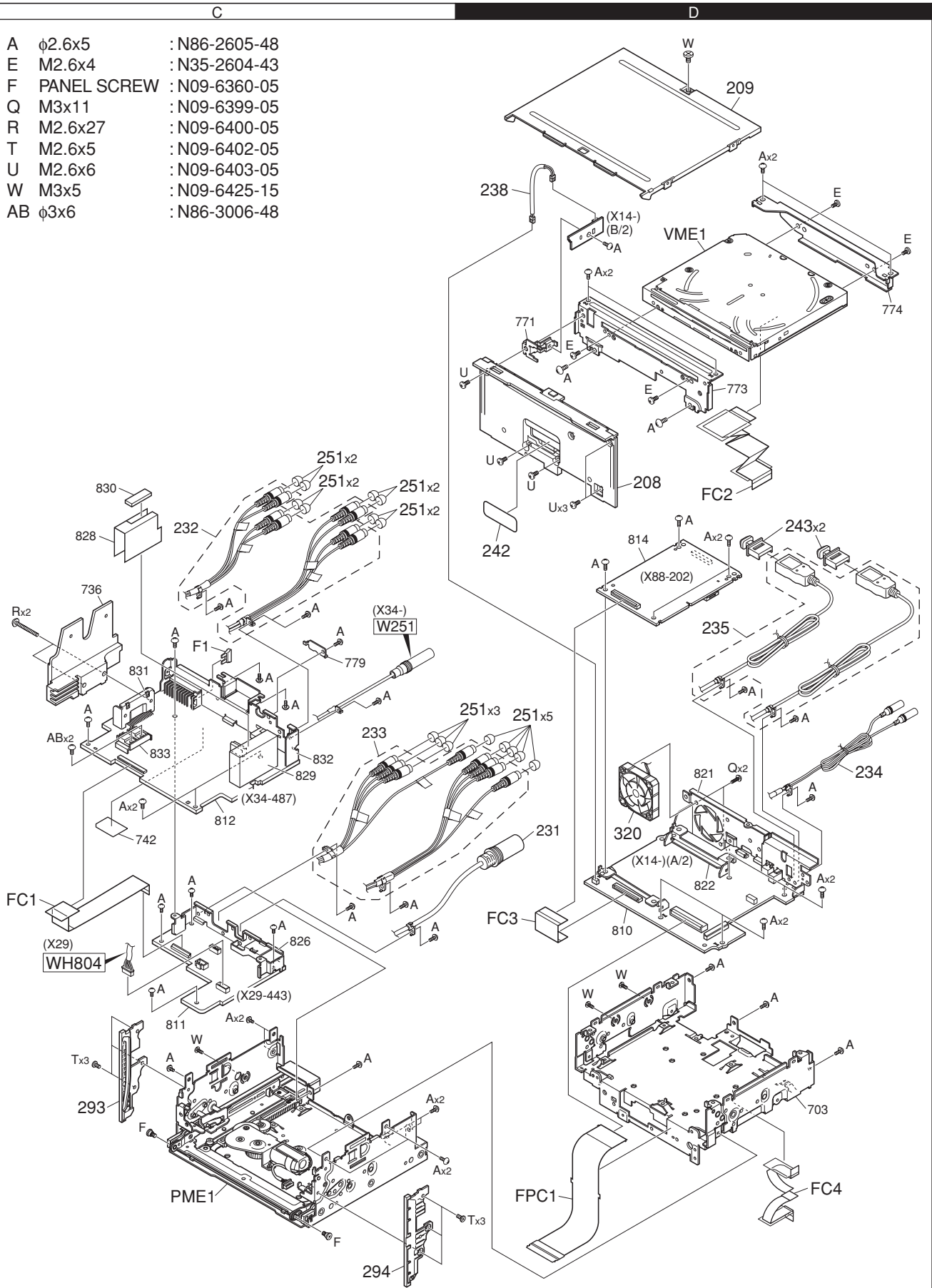
EXPLODED VIEW (DVD MECHANISM)



DDX8019/8029/8029Y/8039

EXPLODED VIEW (UNIT)

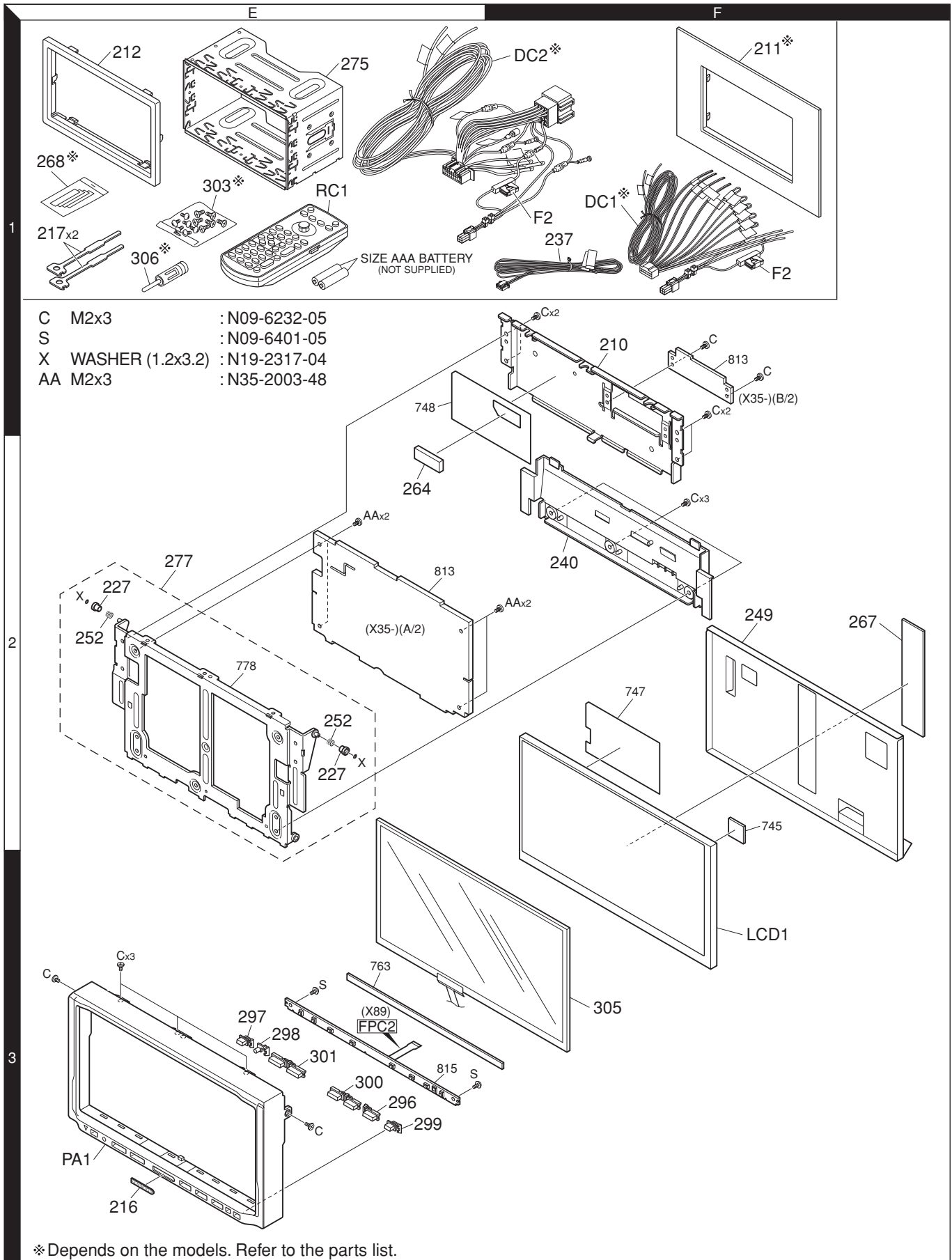
A	φ2.6x5	: N86-2605-48
E	M2.6x4	: N35-2604-43
F	PANEL SCREW	: N09-6360-05
Q	M3x11	: N09-6399-05
R	M2.6x27	: N09-6400-05
T	M2.6x5	: N09-6402-05
U	M2.6x6	: N09-6403-05
W	M3x5	: N09-6425-15
AB	φ3x6	: N86-3006-48



Parts with the exploded numbers larger than 700 are not supplied.

DDX8019/8029/8029Y/8039

EXPLODED VIEW (PANEL & ACCESSORIES)



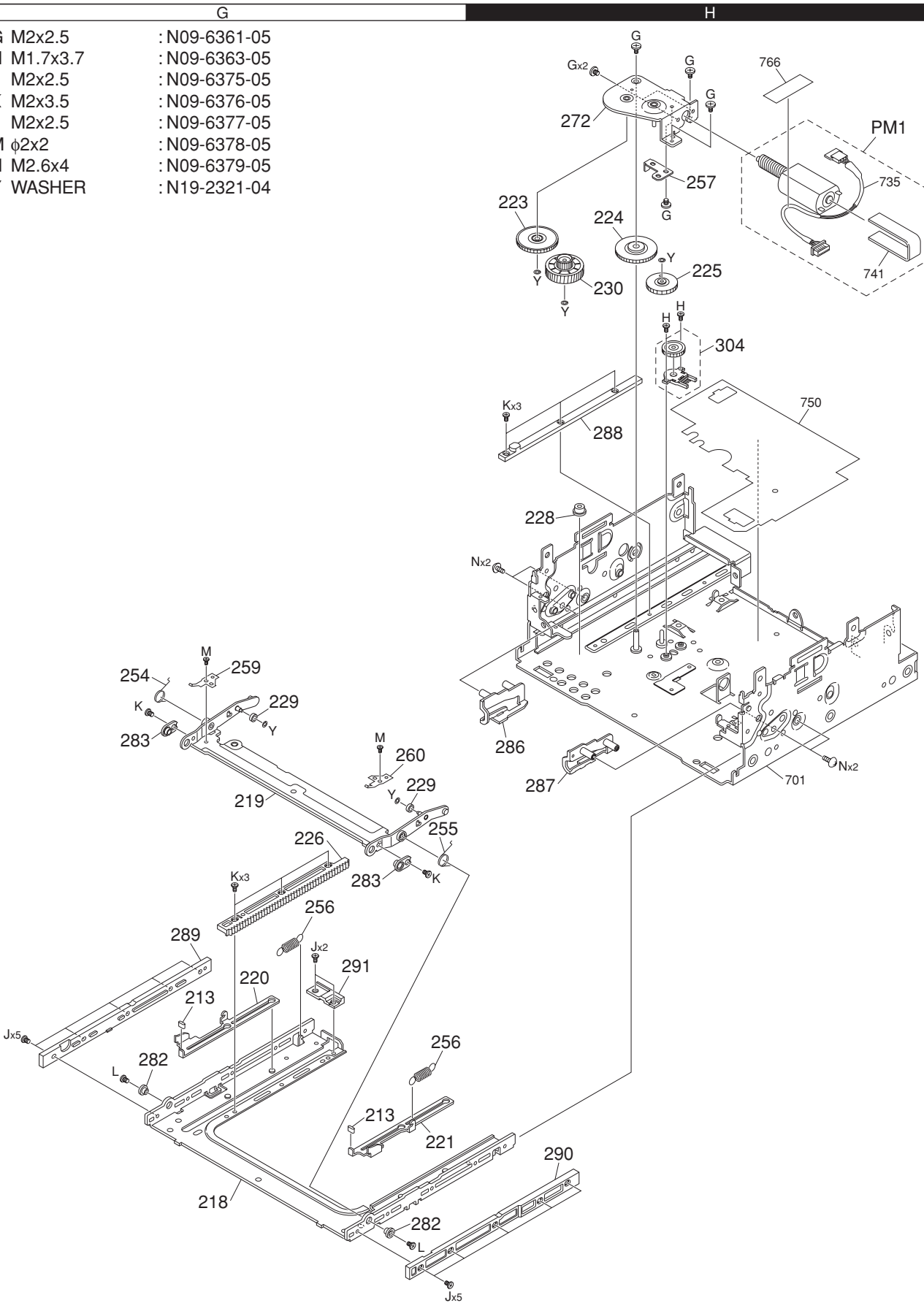
* Depends on the models. Refer to the parts list.

Parts with the exploded numbers larger than 700 are not supplied.

DDX8019/8029/8029Y/8039

EXPLODED VIEW (PANEL MECHANISM)

G	M2x2.5	:	N09-6361-05
H	M1.7x3.7	:	N09-6363-05
J	M2x2.5	:	N09-6375-05
K	M2x3.5	:	N09-6376-05
L	M2x2.5	:	N09-6377-05
M	φ2x2	:	N09-6378-05
N	M2.6x4	:	N09-6379-05
Y	WASHER	:	N19-2321-04



Parts with the exploded numbers larger than 700 are not supplied.

DDX8019/8029/8029Y/8039

PARTS LIST

* New parts

Parts without **Parts No.** are not supplied.

Les articles non mentionnés dans le **Parts No.** ne sont pas fournis.

Teile ohne **Parts No.** werden nicht geliefert.

Ref. No.	A d d	N e w	Parts No.	Description	Desti- nation
DDX8019/8029/8029Y/8039					
208	2D	*	A22-3127-11	SUB PANEL ASSY	
209	1D		A52-0878-02	TOP PLATE	
210	1F		A46-1842-12	REAR COVER	
PA1	3E	*	A64-4223-01	PANEL ASSY	K1
PA1	3E	*	A64-4224-01	PANEL ASSY	E3E4
PA1	3E	*	A64-4225-01	PANEL ASSY	M2
PA1	3E	*	A64-4226-01	PANEL ASSY	R2X2
PME1	3C		A10-5300-31	CHASSIS ASSY	
RC1	1E		A70-2082-15	REMOTE CONTROLLER AS (RC-DV330)	
-			B46-0612-14	ID CARD	E3E4M2
-			B46-0612-14	ID CARD	X2
-		*	B54-4532-00	INSTALLATION MANUAL (ENG.SPA.)	K1R2
-		*	B54-4533-00	INSTALLATION MANUAL (FRE.)	K1
-		*	B54-4534-00	INSTALLATION MANUAL (POR.)	R2
-		*	B54-4535-00	INSTALLATION MANUAL (ENG.)	E3E4
-		*	B54-4536-00	INSTALLATION MANU (FRE.GER.DUT)	E3
-		*	B54-4536-00	INSTALLATION MANU (ITA.SPA.POR)	E3
-		*	B54-4537-00	INSTALLATION MANUAL (ENG.)	M2X2
-		*	B54-4538-00	INSTALLATION MANUAL (T-CHI.KOR.	M2
-		*	B59-1880-00	SUB-INSTRUCTION MANUAL	△ F1
-		*	B64-3654-00	INSTRUCTION MANUAL (ENG.)	△ F2
-		*	B64-3655-00	INSTRUCTION MANUAL (FRE.)	K1R2
-		*	B64-3656-00	INSTRUCTION MANUAL (SPA.)	K1
-		*	B64-3657-00	INSTRUCTION MANUAL (POR.)	K1R2
-		*	B64-3657-00	INSTRUCTION MANUAL (POR.)	R2
-		*	B64-3658-00	INSTRUCTION MANUAL (ENG.)	E3E4
-		*	B64-3659-00	INSTRUCTION MANUAL (FRE.)	E3
-		*	B64-3660-00	INSTRUCTION MANUAL (GER.)	E3
-		*	B64-3661-00	INSTRUCTION MANUAL (DUT.)	E3
-		*	B64-3662-00	INSTRUCTION MANUAL (ITA.)	E3
-		*	B64-3663-00	INSTRUCTION MANUAL (SPA.)	E3
-		*	B64-3664-00	INSTRUCTION MANUAL (POR.)	E3
-		*	B64-3665-00	INSTRUCTION MANUAL (ENG.)	M2X2
-		*	B64-3666-00	INSTRUCTION MANUAL (T-CHI.)	M2
-		*	B64-3667-00	INSTRUCTION MANUAL (KOR.)	M2
211	1E		B07-3172-12	ESCUTCHEON	K1R2M2
211	1E		B07-3172-12	ESCUTCHEON	X2
212	1E		B07-3173-11	ESCUTCHEON	
213	3G		B09-0541-04	CAP	
216	3E		B43-1518-04	BADGE	
LCD1	3F		B38-1186-05	LCD	
217	1E		D10-4674-04	LEVER	
218	3G		D10-4895-12	SLIDER ASSY	
219	2G		D10-4897-13	ARM ASSY	
220	3G		D10-4899-03	LEVER	
221	3G		D10-4900-03	LEVER	
223	1H		D13-2394-04	GEAR	
224	1H		D13-2395-04	GEAR	
225	1H		D13-2396-04	GEAR	
226	3G		D13-2397-03	RACK (GEAR)	
227	2E		D14-1009-04	ROLLER	
228	2H		D14-1010-04	ROLLER	
229	2G		D14-1011-14	ROLLER	

Ref. No.	A d d	N e w	Parts No.	Description	Desti- nation
230	1H		D19-0653-23	CLUTCH ASSY	
231	2D	*	E30-6695-15	CORD WITH PLUG (NAVI)	
232	2C	*	E30-6708-05	CORD WITH PINPLUG (PREOUT)	
233	2C	*	E30-6687-15	CORD WITH PINPLUG (AV)	
234	2D		E30-6689-05	CORD WITH PLUG (MINI JACK)	
235	2D	*	E30-6691-05	CORD WITH PLUG (USBX2)	
237	1F		E30-6693-05	CORD WITH PLUG (2P RELAY1M)	
238	1D	*	E39-0915-05	WIRING HARNESS	
DC1	1F		E30-6677-05	DC CORD	K1R2M2
DC1	1F		E30-6677-05	DC CORD	X2
DC2	1F		E30-6678-05	DC CORD	E3E4
FC1	3C		E39-0909-05	FLAT CABLE	
FC2	2D		E39-0910-05	FLAT CABLE	
FC3	3D		E39-0911-05	FLAT CABLE	
FC4	3D		E39-0912-05	FLAT CABLE	
240	2F		F07-1186-02	COVER	
242	2D		F09-2881-04	SHEET	
243	2D		F09-2890-04	CAP	
249	2F		F20-2364-23	INSULATING SHEET	
251	2C		F29-0049-05	INSULATING COVER	
△ F1	2C		F52-0023-05	FUSE (MINI BLADE TYPE) 10A	
△ F2	3F		F52-0004-05	FUSE (MINI BLADE TYPE) 5A	
252	2E		G01-3284-04	COMPRESSION SPRING	
254	2G		G01-3288-04	TORSION COIL SPRING	
255	2G		G01-3289-04	TORSION COIL SPRING	
256	3G		G01-3290-04	EXTENSION SPRING	
257	1H		G02-1539-04	FLAT SPRING	
259	2G		G02-1544-04	FLAT SPRING	
260	2G		G02-1545-04	FLAT SPRING	
264	2E		G16-1628-04	SHEET	
267	2F		G16-1638-04	SHEET	
-		*	H54-3976-03	ITEM CARTON CASE	K1
-		*	H54-3977-03	ITEM CARTON CASE	E3
-		*	H54-3978-03	ITEM CARTON CASE	E4
-		*	H54-3979-03	ITEM CARTON CASE	M2X2
-		*	H54-4069-03	ITEM CARTON CASE	R2
268	1E		H30-0595-04	ADHESIVE DOUBLE-COATED TAPE	K1R2M2
268	1E		H30-0595-04	ADHESIVE DOUBLE-COATED TAPE	X2
272	1H		J22-0444-13	MOUNTING HARDWARE ASSY	
275	1E		J22-0498-13	MOUNTING HARDWARE ASSY	
277	2E		J22-0503-02	MOUNTING HARDWARE ASSY	
282	3G		J31-1075-14	COLLAR (ARM COLLAR)	
283	2G		J31-1077-04	COLLAR (PANEL COLLAR)	
286	2H		J90-1124-13	GUIDE ASSY	
287	2H		J90-1126-13	GUIDE ASSY	
288	2H		J90-1128-03	RAIL	
289	3G		J90-1129-23	RAIL	
290	3G		J90-1130-23	RAIL	
291	3G		J90-1131-03	GUIDE	
293	3C		J90-1135-11	RAIL	
294	3C		J90-1136-11	RAIL	
FPC1	3D		J86-0034-05	FPC (LEAD FREE)	

E3 : DDX8029 **E4** : DDX8029Y (Europe)
K1 : DDX8019 (North America) **R2** : DDX8039 (Latin America)
X2 : DDX8039 (Australia) **M2** : DDX8039 (Other Areas)

△ Indicates safety critical components.

DDX8019/8029/8029Y/8039

PARTS LIST

DDX8019/8029/8029Y/8039

Ref. No.	Add New	Parts No.	Description	Destination	Ref. No.	Add New	Parts No.	Description	Destination
296	3E	K24-4555-03	PUSH KNOB (SRC)		C20		CK73GB1H104K	CHIP C 0.10UF K	
297	3E	K24-4556-03	PUSH KNOB (ATT)		C21,22		CK73FB0J106K	CHIP C 10UF K	
298	3E	*K24-4716-04	PUSH KNOB (RESET)		C24		CK73EB1C106K	CHIP C 10UF K	
299	3E	K24-4560-03	PUSH KNOB (EJECT)		C26		CK73GB1A105K	CHIP C 1.0UF K	
300	3E	K25-1822-03	PUSH KNOB (FNC/V.SEL)		C27,28		CK73GB1H104K	CHIP C 0.10UF K	
301	3E	K25-1823-03	PUSH KNOB (VOL)		C29		CK73FB0J106K	CHIP C 10UF K	
303	1E	N99-1776-05	SCREW SET	K1R2M2 X2	C34		CK73FB0J106K	CHIP C 10UF K	
303	1E	N99-1776-05	SCREW SET		C101		CK73GB1H473K	CHIP C 0.047UF K	
A	3C	N86-2605-48	BINDING HEAD TAPTITE SCREW		C102		CK73GB1H102K	CHIP C 1000PF K	
AA	2E	N35-2003-48	BINDING HEAD MACHINE SCREW		C104		CC73GCH1H221J	CHIP C 220PF J	
C	3E	N09-6232-05	MACHINE SCREW (M2X3)		C105		CK73GB1H102K	CHIP C 1000PF K	
E	1D	N35-2604-43	BINDING HEAD MACHINE SCREW		C106		CK73GB1H103K	CHIP C 0.010UF K	
F	3C	N09-6360-05	STEPPED SCREW (PANEL SCREW)		C107,108		CC73GCH1H101J	CHIP C 100PF J	
G	1H	N09-6361-05	MACHINE SCREW (M2X2.5)		C109		CK73GB1H223K	CHIP C 0.022UF K	
H	1H	N09-6363-05	MACHINE SCREW (M1.7X3.7)		C110		CC73GCH1H470J	CHIP C 47PF J	
J	3G	N09-6375-05	MACHINE SCREW (M2X2.5)		C111		CK73GB1H103K	CHIP C 0.010UF K	
K	2G	N09-6376-05	MACHINE SCREW (M2X3.5)		C112		CK73GB1H102K	CHIP C 1000PF K	
L	3G	N09-6377-05	MACHINE SCREW (M2X2.5)		C114		CC73GCH1H221J	CHIP C 220PF J	
M	2G	N09-6378-05	TAPTITE SCREW (STITE 2X2)		C115		CK73GB1H473K	CHIP C 0.047UF K	
N	2H	N09-6379-05	MACHINE SCREW (M2.6X4)		C116		CK73GB1H104K	CHIP C 0.10UF K	
R	2C	N09-6400-05	MACHINE SCREW (M2.6X27)		C117		CK73FB0J106K	CHIP C 10UF K	
S	3E	N09-6401-05	TAPTITE SCREW (2X4)		C118		CK73GB1H104K	CHIP C 0.10UF K	
T	3C	N09-6402-05	MACHINE SCREW (M2.6X5)		C119		CK73EB1E225K	CHIP C 2.2UF K	
U	1D	N09-6403-05	MACHINE SCREW (M2.6X4)		C120,121		CK73GB1H104K	CHIP C 0.10UF K	
W	3C	N09-6425-15	MACHINE SCREW (M3.0X5)		C122,123		CK73GB1H103K	CHIP C 0.010UF K	
X	2E	N19-2317-04	FLAT WASHER (1.2X3.2X0.25)		C124		C93-1367-05	CHIP C 10UF K	
Y	1H	N19-2321-04	FLAT WASHER (1.6X4X0.25)		C128,129		CK73GB1H102K	CHIP C 1000PF K	
304	1H	R31-0248-05	VARIABLE RESISTOR		C130		CE32AV0J221M	CHIP EL 220UF 6.3WV	
305	3F	S79-0854-05	SWITCH ASSY		C131-133		CK73GB1H103K	CHIP C 0.010UF K	
306	1E	T90-0552-05	ANTENNA ADAPTOR	E3E4	C134		C93-1367-05	CHIP C 10UF K	
PM1	1H	T42-1322-14	MOTOR ASSY		C136,137		CK73GB1H102K	CHIP C 1000PF K	
VME1	1D	X92-5920-00	DVD MECHANISM ASSY (DVS-8530V)		C140		CE32AV1A121M	CHIP EL 120UF 10WV	
VIDEO CONTROL UNIT (X14-985x-xx)					C141		CK73GB1H103K	CHIP C 0.010UF K	
D600		B30-1767-05	LED		C142		CK73GB1H473K	CHIP C 0.047UF K	
C1		C90-5670-05	ELECTRO 2200UF 16WV		C143		CK73GB1H102K	CHIP C 1000PF K	
C2,3		CK73GB1H104K	CHIP C 0.10UF K		C145		CC73GCH1H221J	CHIP C 220PF J	
C4		CK73FB1E474K	CHIP C 0.47UF K		C146		CK73GB1H102K	CHIP C 1000PF K	
C5		CE32BF1C221M	CHIP EL 220UF 16WV		C147		CK73GB1H103K	CHIP C 0.010UF K	
C6		CE32BF0J101M	CHIP EL 100UF 6.3WV		C148		CC73GCH1H101J	CHIP C 100PF J	
C7		CK73FB0J106K	CHIP C 10UF K		C149		CC73GCH1H470J	CHIP C 47PF J	
C8		CK73GB1H104K	CHIP C 0.10UF K		C150		CK73GB1H153K	CHIP C 0.015UF K	
C9		CK73FB1A225K	CHIP C 2.2UF K		C151		CC73GCH1H470J	CHIP C 47PF J	
C10		CK73EB1A106K	CHIP C 10UF K		C152		CK73GB1H223K	CHIP C 0.022UF K	
C11		CK73GB1H103K	CHIP C 0.010UF K		C153		CK73GB1H102K	CHIP C 1000PF K	
C12		CK73EB1A106K	CHIP C 10UF K		C155		CC73GCH1H221J	CHIP C 220PF J	
C13		CK73GB1H103K	CHIP C 0.010UF K		C156,157		CK73GB1H104K	CHIP C 0.10UF K	
C14		CE32BJ1C100M	CHIP EL 10UF 16WV		C158		CK73FB0J106K	CHIP C 10UF K	
C16		CK73EB1C106K	CHIP C 10UF K		C159		CK73GB1H104K	CHIP C 0.10UF K	
C17		CE32BF1E101M	CHIP EL 100UF 25WV		C160		CK73EB1E225K	CHIP C 2.2UF K	
C19		CK73GB1H103K	CHIP C 0.010UF K		C161,162		CK73GB1H104K	CHIP C 0.10UF K	
					C163,164		CK73GB1H103K	CHIP C 0.010UF K	
					C165		C93-1367-05	CHIP C 10UF K	
					C166,167		CE32BM1E470M	CHIP EL 47UF 25WV	
					C168		CK73GB1H103K	CHIP C 0.010UF K	
					C169,170		CK73GB1H102K	CHIP C 1000PF K	

E3 : DDX8029 E4 : DDX8029Y (Europe)
 K1 : DDX8019 (North America) R2 : DDX8039 (Latin America)
 X2 : DDX8039 (Australia) M2 : DDX8039 (Other Areas)

△ Indicates safety critical components.

DDX8019/8029/8029Y/8039

PARTS LIST

VIDEO CONTROL UNIT (X14-985x-xx)

Ref. No.	Add	New	Parts No.	Description	Destination	Ref. No.	Add	New	Parts No.	Description	Destination
C171			CE32AV0J221M	CHIP EL 220UF 6.3WV		C343-345			CK73GB1H102K	CHIP C 1000PF K	
C172-174			CK73GB1H103K	CHIP C 0.010UF K		C346			CK73GB1H103K	CHIP C 0.010UF K	
C175			C93-1367-05	CHIP C 10UF K		C347			CC73GCH1H101J	CHIP C 100PF J	
C176,177			CE32BM1E470M	CHIP EL 47UF 25WV		C359			CK73GB1H104K	CHIP C 0.10UF K	
C178			CK73GB1H104K	CHIP C 0.10UF K		C361			CK73GB1H104K	CHIP C 0.10UF K	
C179,180			CK73GB1H102K	CHIP C 1000PF K		C362			CK73GB1H103K	CHIP C 0.010UF K	
C181			CE32AV0G331M	CHIP EL 330UF 4.0WV		C363			CK73GB1H104K	CHIP C 0.10UF K	
C182			CK73GB1H103K	CHIP C 0.010UF K		C364			CK73GB1H103K	CHIP C 0.010UF K	
C183,184			CK73GB1H102K	CHIP C 1000PF K		C400-403			CK73GB1A474K	CHIP C 0.47UF K	
C185			CK73GB1H103K	CHIP C 0.010UF K		C404			CK73GB1H103K	CHIP C 0.010UF K	
C186			CK73GB1H104K	CHIP C 0.10UF K		C405			CE32BJ1C470M	CHIP EL 47UF 16WV	
C187			CK73GB1H103K	CHIP C 0.010UF K		C406			CK73GB1H104K	CHIP C 0.10UF K	
C188-201			CK73GB1H104K	CHIP C 0.10UF K		C407			CK73GB1H103K	CHIP C 0.010UF K	
C202			CK73GB1H103K	CHIP C 0.010UF K		C408-413			CK73GB1A105K	CHIP C 1.0UF K	
C203			CK73GB1H104K	CHIP C 0.10UF K		C414			CK73GB1H103K	CHIP C 0.010UF K	
C204			CK73FB0J475K	CHIP C 4.7UF K		C415-420			CK73GB1A105K	CHIP C 1.0UF K	
C205			CK73GB1H104K	CHIP C 0.10UF K		C421			CK73GB1H103K	CHIP C 0.010UF K	
C206			CC73GCH1H220J	CHIP C 22PF J		C422-426			CK73GB1A105K	CHIP C 1.0UF K	
C207			CC73GCH1H180J	CHIP C 18PF J		C427			CK73GB1H103K	CHIP C 0.010UF K	
C208,209			CK73GB1H104K	CHIP C 0.10UF K		C429,430			CK73GB1A105K	CHIP C 1.0UF K	
C210,211			CK73GB1H103K	CHIP C 0.010UF K		C431,432			CK73GB1H103K	CHIP C 0.010UF K	
C212			CK73FB0J106K	CHIP C 10UF K		C433			CK73FB0J106K	CHIP C 10UF K	
C213			CK73GB1H221K	CHIP C 220PF K		C435			CE32BJ1C220M	CHIP EL 22UF 16WV	
C214			CK73GB1H103K	CHIP C 0.010UF K		C436,437			CK73FB0J106K	CHIP C 10UF K	
C215-219			CK73GB1H104K	CHIP C 0.10UF K		C451,452			CK73GB1H222K	CHIP C 2200PF K	
C260			CK73GB1H102K	CHIP C 1000PF K		C463,464			CK73GB0J475K	CHIP C 4.7UF K	
C301			CK73GB1A105K	CHIP C 1.0UF K		C465			CK73FB0J106K	CHIP C 10UF K	
C302			CE32AV0J121M	CHIP EL 120UF 6.3WV		C501-511			CK73GB1H104K	CHIP C 0.10UF K	
C303			CK73GB1H104K	CHIP C 0.10UF K		C512,513			CK73FB1A225K	CHIP C 2.2UF K	
C304-309			CK73GB1H103K	CHIP C 0.010UF K		C514			CK73GB1H103K	CHIP C 0.010UF K	
C310			CC73GCH1H821J	CHIP C 820PF J		C515			CK73GB1H104K	CHIP C 0.10UF K	
C311			CK73GB1A105K	CHIP C 1.0UF K		C516			CC73GCH1H101J	CHIP C 100PF J	
C312			CK73EB1A106K	CHIP C 10UF K		C518			CK73GB1H103K	CHIP C 0.010UF K	
C313			CK73GB1A105K	CHIP C 1.0UF K		C519			CK73GB1H104K	CHIP C 0.10UF K	
C314			CK73GB1H682K	CHIP C 6800PF K		C520			CK73GB1H103K	CHIP C 0.010UF K	
C316,317			CK73GB1H104K	CHIP C 0.10UF K		C521			CK73GB1H104K	CHIP C 0.10UF K	
C318			CK73GB1H103K	CHIP C 0.010UF K		C522-529			CK73GB1H103K	CHIP C 0.010UF K	
C319			CC73GCH1H050C	CHIP C 5.0PF C		C530,531			CK73GB1H104K	CHIP C 0.10UF K	
C320			CK73GB1A474K	CHIP C 0.47UF K		C532			CK73GB1H103K	CHIP C 0.010UF K	
C321			CK73GB1H103K	CHIP C 0.010UF K		C534,535			CK73GB1H103K	CHIP C 0.010UF K	
C322			CC73GCH1H080D	CHIP C 8.0PF D	E3E4M2	C536-538			CK73FB0J106K	CHIP C 10UF K	
C322			CC73GCH1H080D	CHIP C 8.0PF D	X2	C539			CE32AV0J121M	CHIP EL 120UF 6.3WV	
C323			CE32AV0J121M	CHIP EL 120UF 6.3WV		CN1			E41-2735-05	PIN ASSY	
C324			CK73GB1H104K	CHIP C 0.10UF K		CN301			E41-2608-05	FLAT CABLE CONNECTOR	
C325			C93-1403-05	CHIP C 22UF M		CN401			E41-2806-05	PIN ASSY	
C326			CE32BJ1C101M	CHIP EL 100UF 16WV		CN501			E41-2237-05	FLAT CABLE CONNECTOR	
C327,328			CK73GB1H104K	CHIP C 0.10UF K		CN502			E41-2153-05	FLAT CABLE CONNECTOR	
C329			CK73GB1H102K	CHIP C 1000PF K		CN503			E41-2766-05	FLAT CABLE CONNECTOR	
C330,331			CK73GB1H103K	CHIP C 0.010UF K		CN504			E41-2772-05	PIN ASSY	
C332			CC73GCH1H390J	CHIP C 39PF J		CN600			E41-1476-05	PIN ASSY	
C333			CK73GB1H103K	CHIP C 0.010UF K		CN601			E41-1486-05	PIN ASSY	
C334			CK73EB1A106K	CHIP C 10UF K		J1			E58-1065-05	RECTANGULAR RECEPTACLE	
C335			CK73GB1H103K	CHIP C 0.010UF K		J501			E11-0638-05	PHONE JACK	
C339			CE32BJ1C220M	CHIP EL 22UF 16WV							
C340-342			CK73FB0J106K	CHIP C 10UF K							

E3 : DDX8029 E4 : DDX8029Y (Europe)
 K1 : DDX8019 (North America) R2 : DDX8039 (Latin America)
 X2 : DDX8039 (Australia) M2 : DDX8039 (Other Areas)

△ Indicates safety critical components.

PARTS LIST

VIDEO CONTROL UNIT (X14-985x-xx)

Ref. No.	Add	New	Parts No.	Description	Destination	Ref. No.	Add	New	Parts No.	Description	Destination
320	2D		F09-2819-15	FAN		R40			RK73GB2A153J	CHIP R 15K J 1/10W	
△ L1			L33-2358-05	CHOKE COIL		R41			RK73GB2A272J	CHIP R 2.7K J 1/10W	
L3			L33-2369-05	CHOKE COIL (10UH)		R42			RK73GB2A000J	CHIP R 0.0 J 1/10W	
L101			L33-2369-05	CHOKE COIL (10UH)		R43			RK73GB2A472J	CHIP R 4.7K J 1/10W	
L102			L33-2370-05	CHOKE COIL (10UH)		R44			RK73GB2A561J	CHIP R 560 J 1/10W	
L103			L33-2369-05	CHOKE COIL (10UH)		R45			RK73GB2A223J	CHIP R 22K J 1/10W	
L104,105			L33-2370-05	CHOKE COIL (10UH)		R46			RK73GB2A153J	CHIP R 15K J 1/10W	
L106			L33-2417-05	CHOKE COIL (10UH)		R50			RK73GB2A302J	CHIP R 3.0K J 1/10W	
L107			L33-2369-05	CHOKE COIL (10UH)		R51			RK73GB2A332J	CHIP R 3.3K J 1/10W	
L108			L33-2370-05	CHOKE COIL (10UH)		R52			RK73GB2A272J	CHIP R 2.7K J 1/10W	
L201			L92-0319-05	CHIP FERRITE		R53			RK73GB2A393J	CHIP R 39K J 1/10W	
L301-303			L41-1005-33	SMALL FIXED INDUCTOR (10U)		R54			RK73GB2A113J	CHIP R 11K J 1/10W	
L305			L41-1005-33	SMALL FIXED INDUCTOR (10U)		R55			RK73GB2A302J	CHIP R 3.0K J 1/10W	
L401,402			L92-0319-05	CHIP FERRITE		R56			RK73GB2A332J	CHIP R 3.3K J 1/10W	
L403			L41-1005-33	SMALL FIXED INDUCTOR (10U)		R57			RK73GB2A272J	CHIP R 2.7K J 1/10W	
L404			L92-0319-05	CHIP FERRITE		R58			RK73GB2A393J	CHIP R 39K J 1/10W	
L501			L33-2369-05	CHOKE COIL (10UH)		R59			RK73GB2A113J	CHIP R 11K J 1/10W	
L502			L41-1005-33	SMALL FIXED INDUCTOR (10U)		R63			RK73GB2A103J	CHIP R 10K J 1/10W	
X201			L78-1210-05	RESONATOR (4.95MHZ)		R65			RK73GB2A103J	CHIP R 10K J 1/10W	
X202			L77-2917-15	CRYSTAL RESONATOR (32.768KHZ)		R66			RK73GB2A302J	CHIP R 3.0K J 1/10W	
X301			L77-2905-05	CRYSTAL RESONATOR (3.579545MHZ)		R67			RK73GB2A332J	CHIP R 3.3K J 1/10W	
X302			L77-2906-05	CRYSTAL RESONATOR (4.433619MHZ)	E3E4M2	R68			RK73GB2A272J	CHIP R 2.7K J 1/10W	
X302			L77-2906-05	CRYSTAL RESONATOR (4.433619MHZ)	X2	R69			RK73GB2A333J	CHIP R 33K J 1/10W	
Q	2D		N09-6399-05	MACHINE SCREW (M3X11)		R70			RK73GB2A203J	CHIP R 20K J 1/10W	
CP401			RK74GB1J222J	CHIP-COM 2.2K J 1/16W		R71,72			RK73GB2A000J	CHIP R 0.0 J 1/10W	
CP402,403			RK74GB1J103J	CHIP-COM 10K J 1/16W		R73,74			RK73GB2A101J	CHIP R 100 J 1/10W	
R1,2			RK73EB2E622J	CHIP R 6.2K J 1/4W		R75			RK73GB2A000J	CHIP R 0.0 J 1/10W	
R3			RK73GB2A153J	CHIP R 15K J 1/10W		R76,77			RK73GB2A101J	CHIP R 100 J 1/10W	
R4			RK73GB2A912J	CHIP R 9.1K J 1/10W		R79			RK73GB2A000J	CHIP R 0.0 J 1/10W	
R5			RK73GB2A473J	CHIP R 47K J 1/10W		R81-84			RK73GB2A000J	CHIP R 0.0 J 1/10W	
R6			RK73GH2A104D	CHIP R 100K D 1/10W		R86			RK73GB2A000J	CHIP R 0.0 J 1/10W	
R7			RK73GH2A513D	CHIP R 51K D 1/10W		R95,96			RK73GB2A000J	CHIP R 0.0 J 1/10W	
R8			RK73GH2A333D	CHIP R 33K D 1/10W		R102,103			RK73GH2A561D	CHIP R 560 D 1/10W	
R9,10			RK73GB2A224J	CHIP R 220K J 1/10W		R104			RK73GH2A333D	CHIP R 33K D 1/10W	
R11			RK73GH2A113D	CHIP R 11K D 1/10W		R105			RK73GH2A622D	CHIP R 6.2K D 1/10W	
R12			RK73GH2A104D	CHIP R 100K D 1/10W		R106			RK73GB2A000J	CHIP R 0.0 J 1/10W	
R13			RK73GH2A683D	CHIP R 68K D 1/10W		R107			RK73GH2A912D	CHIP R 9.1K D 1/10W	
R14,15			RK73GH2A334D	CHIP R 330K D 1/10W		R108			RK73GB2A103J	CHIP R 10K J 1/10W	
R16,17			RK73GB2A224J	CHIP R 220K J 1/10W		R111			RK73GB2A000J	CHIP R 0.0 J 1/10W	
R18			RK73GB2A100J	CHIP R 10 J 1/10W		R112			RK73GB2A333J	CHIP R 33K J 1/10W	
R19			RK73GB2A224J	CHIP R 220K J 1/10W		R114			RK73GB2A000J	CHIP R 0.0 J 1/10W	
R22			RK73GB2A224J	CHIP R 220K J 1/10W		R115			RK73GB2A683J	CHIP R 68K J 1/10W	
R24			RK73GB2A303J	CHIP R 30K J 1/10W		R116			RK73GH2A333D	CHIP R 33K D 1/10W	
R25			RK73GB2A224J	CHIP R 220K J 1/10W		R117			RK73GH2A562D	CHIP R 5.6K D 1/10W	
R26			RK73GB2A202J	CHIP R 2.0K J 1/10W		R118			RK73GH2A681D	CHIP R 680 D 1/10W	
R27,28			RK73GB2A224J	CHIP R 220K J 1/10W		R120			RK73EB2E100J	CHIP R 10 J 1/4W	
R29			RK73GB2A114J	CHIP R 110K J 1/10W		R121			RK73GB2A220J	CHIP R 22 J 1/10W	
R34			RK73GB2A823J	CHIP R 82K J 1/10W		R122-124			RK73GB2A000J	CHIP R 0.0 J 1/10W	
R35			RK73GB2A103J	CHIP R 10K J 1/10W		R126			RK73EB2E100J	CHIP R 10 J 1/4W	
R36			RK73GB2A224J	CHIP R 220K J 1/10W		R127			R92-5158-05	CHIP R 0.022 J 1/4W	
R37			RK73GB2A333J	CHIP R 33K J 1/10W		R129			RK73GB2A000J	CHIP R 0.0 J 1/10W	
R38			RK73GB2A224J	CHIP R 220K J 1/10W		R130			RK73GB2A220J	CHIP R 22 J 1/10W	
R39			RK73GB2A000J	CHIP R 0.0 J 1/10W		R131			RK73GB2A000J	CHIP R 0.0 J 1/10W	
						R132,133			RK73GH2A561D	CHIP R 560 D 1/10W	
						R134			RK73EB2E100J	CHIP R 10 J 1/4W	

E3 : DDX8029 E4 : DDX8029Y (Europe)
K1 : DDX8019 (North America) R2 : DDX8039 (Latin America)
X2 : DDX8039 (Australia) M2 : DDX8039 (Other Areas)

△ Indicates safety critical components.

DDX8019/8029/8029Y/8039

PARTS LIST

VIDEO CONTROL UNIT (X14-985x-xx)

Ref. No.	Add	New	Parts No.	Description	Destination	Ref. No.	Add	New	Parts No.	Description	Destination
R136,137		*	R92-5160-05	CHIP R 0.047 J 1/4W		R257,258			RK73GB2A103J	CHIP R 10K J 1/10W	X2
R138			RK73GB2A000J	CHIP R 0.0 J 1/10W		R260			RK73GB2A104J	CHIP R 100K J 1/10W	
R143			RK73GH2A333D	CHIP R 33K D 1/10W		R261			RK73GB2A103J	CHIP R 10K J 1/10W	
R144			RK73GH2A103D	CHIP R 10K D 1/10W		R263			RK73GB2A101J	CHIP R 100 J 1/10W	
R145			RK73GH2A561D	CHIP R 560 D 1/10W		R301			RK73GB2A102J	CHIP R 1.0K J 1/10W	
R146			RK73GB2A103J	CHIP R 10K J 1/10W		R302			RK73GB2A101J	CHIP R 100 J 1/10W	
R149			RK73GB2A000J	CHIP R 0.0 J 1/10W		R303			RK73GB2A000J	CHIP R 0.0 J 1/10W	
R150			RK73GB2A683J	CHIP R 68K J 1/10W		R304			RK73GB2A681J	CHIP R 680 J 1/10W	
R152			RK73GB2A000J	CHIP R 0.0 J 1/10W		R305			RK73GB2A222J	CHIP R 2.2K J 1/10W	
R153			RK73GB2A683J	CHIP R 68K J 1/10W		R306			RK73GB2A000J	CHIP R 0.0 J 1/10W	
R154			RK73GH2A333D	CHIP R 33K D 1/10W		R307			RK73GH2A183D	CHIP R 18K D 1/10W	
R155			RK73GH2A562D	CHIP R 5.6K D 1/10W		R308			RK73GB2A473J	CHIP R 47K J 1/10W	
R156			RK73GH2A681D	CHIP R 680 D 1/10W		R309			RK73GB2A000J	CHIP R 0.0 J 1/10W	
R158			RK73EB2E100J	CHIP R 10 J 1/4W		R310			RK73GB2A561J	CHIP R 560 J 1/10W	
R159			RK73GB2A220J	CHIP R 22 J 1/10W		R311			RK73GB2A105J	CHIP R 1.0M J 1/10W	
R160-163			RK73GB2A000J	CHIP R 0.0 J 1/10W		R312			RK73GB2A000J	CHIP R 0.0 J 1/10W	
R164			RK73EB2E100J	CHIP R 10 J 1/4W		R313			RK73GB2A105J	CHIP R 1.0M J 1/10W	
R165,166			R92-5158-05	CHIP R 0.022 J 1/4W		R316			RK73GH2A222D	CHIP R 2.2K D 1/10W	
R167			RK73GB2A000J	CHIP R 0.0 J 1/10W		R317			RK73GB2A822J	CHIP R 8.2K J 1/10W	
R168			RK73GB2A220J	CHIP R 22 J 1/10W		R318			RK73GB2A562J	CHIP R 5.6K J 1/10W	
R169-171			RK73GB2A000J	CHIP R 0.0 J 1/10W		R319			RK73GH2A681D	CHIP R 680 D 1/10W	E3E4M2
R173			RK73EB2E100J	CHIP R 10 J 1/4W		R319			RK73GH2A681D	CHIP R 680 D 1/10W	X2
R175			R92-5159-05	CHIP R 0.033 J 1/4W		R320-322			RK73GB2A000J	CHIP R 0.0 J 1/10W	
R176			RK73GB2A000J	CHIP R 0.0 J 1/10W		R324			RK73GB2A103J	CHIP R 10K J 1/10W	
R178-180			RK73GB2A000J	CHIP R 0.0 J 1/10W		R325			RK73GB2A000J	CHIP R 0.0 J 1/10W	
R201			RK73GB2A473J	CHIP R 47K J 1/10W		R326			RK73GB2A103J	CHIP R 10K J 1/10W	
R202,203			RK73GB2A000J	CHIP R 0.0 J 1/10W		R327-330			RK73GB2A101J	CHIP R 100 J 1/10W	
R204-208			RK73GB2A101J	CHIP R 100 J 1/10W		R331			RK73GH2A473D	CHIP R 47K D 1/10W	
R209,210			RK73GB2A472J	CHIP R 4.7K J 1/10W		R332			RK73GB2A361J	CHIP R 360 J 1/10W	
R211			RK73GB2A103J	CHIP R 10K J 1/10W		R334			RK73GB2A361J	CHIP R 360 J 1/10W	
R212			RK73GB2A332J	CHIP R 3.3K J 1/10W		R335,336			RK73GB2A303J	CHIP R 30K J 1/10W	
R213			RK73GB2A473J	CHIP R 47K J 1/10W		R337			RK73GB2A100J	CHIP R 10 J 1/10W	
R214-225			RK73GB2A101J	CHIP R 100 J 1/10W		R338			RK73GB2A102J	CHIP R 1.0K J 1/10W	
R226,227			RK73GB2A472J	CHIP R 4.7K J 1/10W		R339			RK73GB2A000J	CHIP R 0.0 J 1/10W	
R228			RK73GB2A104J	CHIP R 100K J 1/10W		R342			RK73GB2A000J	CHIP R 0.0 J 1/10W	
R229			RK73GB2A473J	CHIP R 47K J 1/10W		R344			RK73GB2A222J	CHIP R 2.2K J 1/10W	
R230			RK73GB2A332J	CHIP R 3.3K J 1/10W		R345			RK73GH2A432D	CHIP R 4.3K D 1/10W	
R231			RK73GB2A473J	CHIP R 47K J 1/10W		R346			RK73GH2A152D	CHIP R 1.5K D 1/10W	
R232-234			RK73GB2A101J	CHIP R 100 J 1/10W		R347			RK73GH2A104D	CHIP R 100K D 1/10W	
R235			RK73GB2A473J	CHIP R 47K J 1/10W		R348			RK73GH2A363D	CHIP R 36K D 1/10W	
R236-238			RK73GB2A101J	CHIP R 100 J 1/10W		R349			RK73GH2A104D	CHIP R 100K D 1/10W	
R239			RK73GB2A473J	CHIP R 47K J 1/10W		R350			RK73GH2A363D	CHIP R 36K D 1/10W	
R240-242			RK73GB2A101J	CHIP R 100 J 1/10W		R351			RK73GH2A104D	CHIP R 100K D 1/10W	
R245-248			RK73GB2A473J	CHIP R 47K J 1/10W		R352			RK73GH2A363D	CHIP R 36K D 1/10W	
R249			RK73GB2A123J	CHIP R 12K J 1/10W		R353-355			RK73GB2A362J	CHIP R 3.6K J 1/10W	
R250			RK73GB2A473J	CHIP R 47K J 1/10W		R356-361			RK73GH2A102D	CHIP R 1.0K D 1/10W	
R251			RK73GB2A101J	CHIP R 100 J 1/10W		R370-382			RK73GB2A101J	CHIP R 100 J 1/10W	
R252-254			RK73GB2A473J	CHIP R 47K J 1/10W		R383,384			RK73GB2A000J	CHIP R 0.0 J 1/10W	
R255			RK73GB2A103J	CHIP R 10K J 1/10W	R2E3E4	R385			RK73GB2A101J	CHIP R 100 J 1/10W	
R255			RK73GB2A103J	CHIP R 10K J 1/10W	X2	R388			RK73GB2A272J	CHIP R 2.7K J 1/10W	
R255-258			RK73GB2A103J	CHIP R 10K J 1/10W	M2	R389			RK73GB2A222J	CHIP R 2.2K J 1/10W	
R256			RK73GB2A303J	CHIP R 30K J 1/10W	X2	R394			RK73GB2A000J	CHIP R 0.0 J 1/10W	
R256			RK73GB2A332J	CHIP R 3.3K J 1/10W	E3E4	R400-403			RK73EB2E100J	CHIP R 10 J 1/4W	
R256-258			RK73GB2A103J	CHIP R 10K J 1/10W	K1	R404			RK73GB2A100J	CHIP R 10 J 1/10W	
R257,258			RK73GB2A103J	CHIP R 10K J 1/10W	R2E3E4	R405			RK73GB2A202J	CHIP R 2.0K J 1/10W	

E3 : DDX8029 E4 : DDX8029Y (Europe)
 K1 : DDX8019 (North America) R2 : DDX8039 (Latin America)
 X2 : DDX8039 (Australia) M2 : DDX8039 (Other Areas)

△ Indicates safety critical components.

PARTS LIST

VIDEO CONTROL UNIT (X14-985x-xx)

Ref. No.	Add	New	Parts No.	Description	Destination	Ref. No.	Add	New	Parts No.	Description	Destination
R410,411			RK73GB2A223J	CHIP R 22K J 1/10W		D301			DAN202U	DIODE	
R412			RK73GB2A202J	CHIP R 2.0K J 1/10W		D312-320			AVRM1608120M6A	VARIATOR	
R413			RK73GB2A750J	CHIP R 75 J 1/10W		D322,323			AVRM1608120M6A	VARIATOR	
R414			RK73GB2A222J	CHIP R 2.2K J 1/10W		D324			AVRM1608180M6A	VARIATOR	
R415			RK73GB2A102J	CHIP R 1.0K J 1/10W		D400			AVRM1608270MAA	VARIATOR	
R420			RK73GB2A103J	CHIP R 10K J 1/10W		D401,402			AVRM1608120M6A	VARIATOR	
R421			RK73GB2A000J	CHIP R 0.0 J 1/10W		D403			DAP202U	DIODE	
R422-424			RK73GB2A101J	CHIP R 100 J 1/10W		D404			UDZS4.7B	ZENER DIODE	
R425-430			RK73GB2A102J	CHIP R 1.0K J 1/10W		D407			AVRM1608120M6A	VARIATOR	
R431			RK73GB2A000J	CHIP R 0.0 J 1/10W		D408			AVRM1608270MAA	VARIATOR	
R432-435			RK73GB2A101J	CHIP R 100 J 1/10W		D502			AVRM1608270MAA	VARIATOR	
R436			RK73GB2A751J	CHIP R 750 J 1/10W		D503			DA204U	DIODE	
R437			RK73GB2A102J	CHIP R 1.0K J 1/10W		D506			DAP202U	DIODE	
R438			RK73GB2A101J	CHIP R 100 J 1/10W		IC1			SI-3033KMS	ANALOGUE IC	
R439			RK73GB2A751J	CHIP R 750 J 1/10W		IC2			PQ1X331M2ZPH	ANALOGUE IC	
R440			RK73GB2A102J	CHIP R 1.0K J 1/10W		IC10			NJM4565V-ZB	ANALOGUE IC	
R441			RK73GB2A101J	CHIP R 100 J 1/10W		IC101,102			LTC3728LEGN	ANALOGUE IC	
R442			RK73GB2A751J	CHIP R 750 J 1/10W		IC201			703261YGC315A	MICROCONTROLLER IC	
R443			RK73GB2A102J	CHIP R 1.0K J 1/10W		IC202			S1000N30N4T1G	ANALOGUE IC	
R444			RK73GB2A000J	CHIP R 0.0 J 1/10W		IC203			W05-1260-00	ROM IC	K1
R445-448			RK73GB2A101J	CHIP R 100 J 1/10W		IC203			W05-1261-00	ROM IC	E3E4
R449			RK73GB2A222J	CHIP R 2.2K J 1/10W		IC203			W05-1262-00	ROM IC	M2
R450			RK73GB2A221J	CHIP R 220 J 1/10W		IC203			W05-1263-00	ROM IC	R2X2
R451			RK73GB2A000J	CHIP R 0.0 J 1/10W		IC204			BR24L02FV-W	ROM IC	
R452-457			RK73GB2A101J	CHIP R 100 J 1/10W		IC205			TC7SET08FU-F	MOS-IC	
R458			RK73GB2A751J	CHIP R 750 J 1/10W		IC301			RB5P0090M	ANALOGUE IC	
R459			RK73GB2A102J	CHIP R 1.0K J 1/10W		IC302			TC7SET04FU-F	MOS-IC	
R461,462			RK73GB2A473J	CHIP R 47K J 1/10W		IC303			TC7WH123FU-F	MOS-IC	
R463			RK73FB2B101J	CHIP R 100 J 1/8W		IC304			TC7SH04FU-F	MOS-IC	
R464			RK73EB2E101J	CHIP R 100 J 1/4W		IC400	*		NJM2505AF-ZB	ANALOGUE IC	
R500,501			RK73GB2A000J	CHIP R 0.0 J 1/10W		IC401			NJM2794RB2ZB	ANALOGUE IC	
R503-515			RK73GB2A000J	CHIP R 0.0 J 1/10W		IC402			BU2090FS	MOS-IC	
R518,519			RK73GB2A223J	CHIP R 22K J 1/10W		IC403,404			MM1234XFBE-E	ANALOGUE IC	
R520,521			RK73GB2A471J	CHIP R 470 J 1/10W		IC405			BA7649F	ANALOGUE IC	
R522			RK73GB2A101J	CHIP R 100 J 1/10W		IC406			MM1503-E	ANALOGUE IC	
R523,524			RK73GB2A473J	CHIP R 47K J 1/10W		IC407,408			TC4052BFT	MOS-IC	
R525-527			RK73GB2A101J	CHIP R 100 J 1/10W		IC501			LB1836M-TLM-E	ANALOGUE IC	
R528,529			RK73GB2A000J	CHIP R 0.0 J 1/10W		IC502			TC7SET04FU-F	MOS-IC	
R534			RK73GB2A100J	CHIP R 10 J 1/10W		Q1,2			2SC4081	TRANSISTOR	
R535			RK73GB2A151J	CHIP R 150 J 1/10W		Q3			2SA1576A	TRANSISTOR	
R536			RK73EB2E750J	CHIP R 75 J 1/4W		Q4			2SC4081	TRANSISTOR	
R537,538			RK73GB2A000J	CHIP R 0.0 J 1/10W		Q5			2SA1576A	TRANSISTOR	
R541			RK73GB2A000J	CHIP R 0.0 J 1/10W		Q6			2SC4081	TRANSISTOR	
R542			RK73GB2A472J	CHIP R 4.7K J 1/10W		Q7			DTA114EUA	DIGITAL TRANSISTOR	
R543			RK73GB2A103J	CHIP R 10K J 1/10W		Q8			DTC114YUA	DIGITAL TRANSISTOR	
R544			RK73GB2A472J	CHIP R 4.7K J 1/10W		Q9			DTA114TUA	DIGITAL TRANSISTOR	
R551			RK73GB2A000J	CHIP R 0.0 J 1/10W		Q10			DTC114YUA	DIGITAL TRANSISTOR	
R552			RK73GB2A101J	CHIP R 100 J 1/10W		Q13			2SC4081	TRANSISTOR	
R555			RK73GB2A101J	CHIP R 100 J 1/10W		Q14			2SB1184	TRANSISTOR	
R600			RK73GB2A471J	CHIP R 470 J 1/10W		Q15,16			2SC4081	TRANSISTOR	
D2			DAN202U	DIODE		Q17			2SA1576A	TRANSISTOR	
D3			UDZS6.2B	ZENER DIODE		Q19			DTC114YUA	DIGITAL TRANSISTOR	
D4			EP05Q04	DIODE		Q20,21			2SA1576A	TRANSISTOR	
D5			1SR154-400	DIODE		Q22			TPC8110-F	FET	
D101-104			1SS357-F	DIODE		Q23			2SC4081	TRANSISTOR	

E3 : DDX8029 E4 : DDX8029Y (Europe)
K1 : DDX8019 (North America) R2 : DDX8039 (Latin America)
X2 : DDX8039 (Australia) M2 : DDX8039 (Other Areas)

△ Indicates safety critical components.

DDX8019/8029/8029Y/8039

PARTS LIST

VIDEO CONTROL UNIT (X14-985x-xx)

Ref. No.	Add	New	Parts No.	Description	Destination
Q24			2SA1576A	TRANSISTOR	
Q25			DTC114YUA	DIGITAL TRANSISTOR	
Q26			2SB1689	TRANSISTOR	
Q31			2SB1184	TRANSISTOR	
Q32			2SC4081	TRANSISTOR	
Q33			2SA1576A	TRANSISTOR	
Q34			2SC4081	TRANSISTOR	
Q35			2SB1184	TRANSISTOR	
Q36			2SC4081	TRANSISTOR	
Q37			2SA1576A	TRANSISTOR	
Q38			2SC4081	TRANSISTOR	
Q43			2SB1184	TRANSISTOR	
Q44			2SC4081	TRANSISTOR	
Q45			2SA1576A	TRANSISTOR	
Q46			2SC4081	TRANSISTOR	
Q101			DTC114YUA	DIGITAL TRANSISTOR	
Q103			DTC144EUA	DIGITAL TRANSISTOR	
Q104,105			HAT2218R-E	DUAL FET	
Q106			DTC144EUA	DIGITAL TRANSISTOR	
Q108			DTC144EUA	DIGITAL TRANSISTOR	
Q109,110			HAT2218R-E	DUAL FET	
Q111			DTC144EUA	DIGITAL TRANSISTOR	
Q201			DTC114EUA	DIGITAL TRANSISTOR	
Q203			DTA114EUA	DIGITAL TRANSISTOR	
Q204			DTC114YUA	DIGITAL TRANSISTOR	
Q205			DTA114EUA	DIGITAL TRANSISTOR	
Q206			DTC114YUA	DIGITAL TRANSISTOR	
Q207			DTB123YK	DIGITAL TRANSISTOR	
Q301			2SC4081	TRANSISTOR	
Q304			UMZ1N	TRANSISTOR	
Q305			DTC114YUA	DIGITAL TRANSISTOR	
Q306-309			UMZ1N	TRANSISTOR	
Q401			2SA1576A	TRANSISTOR	
Q504			2SA1576A	TRANSISTOR	
Q506,507			DTC323TU	DIGITAL TRANSISTOR	
Q508			2SC3437-F (Y)	TRANSISTOR	
Q509			DTA114EUA	DIGITAL TRANSISTOR	
Q600			DTA114EUA	DIGITAL TRANSISTOR	
Q601			DTC114YUA	DIGITAL TRANSISTOR	
CONTROL CIRCUIT UNIT (X29-443x-xx)					
C701-703			CK73GB1A474K	CHIP C 0.47UF K	
C704-706			CK73GB1H104K	CHIP C 0.10UF K	
C707			CD04AT1C470M	ELECTRO 47UF 16WV	
C708			CK73GB1H103K	CHIP C 0.010UF K	
C709			CD04AT1C220M	ELECTRO 22UF 16WV	
C710			CK73GB1A474K	CHIP C 0.47UF K	
C711			CD04AT1C220M	ELECTRO 22UF 16WV	
C712			CK73GB1A474K	CHIP C 0.47UF K	
C713			CK73GB1H104K	CHIP C 0.10UF K	
C714,715			CK73GB1H103K	CHIP C 0.010UF K	
C716-721			CD04AT1HR47M	ELECTRO 0.47UF 50WV	
C722,723			CK73GB1H103K	CHIP C 0.010UF K	
C724,725			CD04AT1C220M	ELECTRO 22UF 16WV	
C726,727			CD04AT1HR47M	ELECTRO 0.47UF 50WV	
C728			CK73GB1A474K	CHIP C 0.47UF K	

Ref. No.	Add	New	Parts No.	Description	Destination
C801-805			CK73GB1A105K	CHIP C 1.0UF K	
C808			CD04AT1C220M	ELECTRO 22UF 16WV	
C809			CK73GB1H104K	CHIP C 0.10UF K	
C811			CK73FB0J106K	CHIP C 10UF K	
C812			CK73GB1H103K	CHIP C 0.010UF K	
C813-817			CK73GB1A105K	CHIP C 1.0UF K	
C818,819			CK73GB1H104K	CHIP C 0.10UF K	
C820			CD04AT0J331M	ELECTRO 330UF 6.3WV	
C821-823			CK73GB1A105K	CHIP C 1.0UF K	
C824			CK73GB1H104K	CHIP C 0.10UF K	
C825			CK73GB1H103K	CHIP C 0.010UF K	
C827			CK73GB1H473K	CHIP C 0.047UF K	
C828-830			CK73GB1H103K	CHIP C 0.010UF K	
C831-833			CK73GB1A105K	CHIP C 1.0UF K	K1R2M2
C831-833			CK73GB1A105K	CHIP C 1.0UF K	X2
C834-839			CK73GB1A105K	CHIP C 1.0UF K	E3E4
C840			CK73GB1H104K	CHIP C 0.10UF K	E3E4
C841-843			CK73GB1H103K	CHIP C 0.010UF K	
CN702			E41-2771-05	PIN ASSY	
CN703			E41-2636-05	PIN ASSY	
CN801			E40-6469-05	PIN ASSY	
CN803			E41-2153-05	FLAT CABLE CONNECTOR	
J701			E58-1034-05	RECTANGULAR RECEPTACLE	
WH804	3C		E39-0892-15	WIRING HARNESS	
L702			L92-0319-05	CHIP FERRITE	
L703			L41-4795-33	SMALL FIXED INDUCTOR (4.7U)	
L801			L92-0319-05	CHIP FERRITE	
R701-704			RK73GB2A750J	CHIP R 75 J 1/10W	E3E4
R704			RK73GB2A750J	CHIP R 75 J 1/10W	K1R2M2
R704			RK73GB2A750J	CHIP R 75 J 1/10W	X2
R705,706			RK73EB2E102J	CHIP R 1.0K J 1/4W	
R707-709			RK73EB2E101J	CHIP R 100 J 1/4W	
R710			RK73EB2E4R7J	CHIP R 4.7 J 1/4W	
R711,712			RK73EB2E102J	CHIP R 1.0K J 1/4W	
R713			RK73EB2E100J	CHIP R 10 J 1/4W	
R714			RK73EB2E4R7J	CHIP R 4.7 J 1/4W	
R715			RK73EB2E100J	CHIP R 10 J 1/4W	
R716-719			RK73EB2E101J	CHIP R 100 J 1/4W	E3E4
R719			RK73EB2E101J	CHIP R 100 J 1/4W	K1R2M2
R719			RK73EB2E101J	CHIP R 100 J 1/4W	X2
R720-727			RK73GB2A100J	CHIP R 10 J 1/10W	E3E4
R723-727			RK73GB2A100J	CHIP R 10 J 1/10W	K1R2M2
R723-727			RK73GB2A100J	CHIP R 10 J 1/10W	X2
R728			RK73GB2A000J	CHIP R 0.0 J 1/10W	
R733			RK73GB2A222J	CHIP R 2.2K J 1/10W	
R734			RK73GB2A102J	CHIP R 1.0K J 1/10W	
R735-737			RK73FB2B102J	CHIP R 1.0K J 1/8W	
R738			RK73FB2B100J	CHIP R 10 J 1/8W	
R739			RK73FB2B4R7J	CHIP R 4.7 J 1/8W	
R740			RK73FB2B100J	CHIP R 10 J 1/8W	
R741-744			RK73GB2A750J	CHIP R 75 J 1/10W	
R745-748			RK73EB2E101J	CHIP R 100 J 1/4W	
R750,751			RK73GB2A101J	CHIP R 100 J 1/10W	

E3 : DDX8029 E4 : DDX8029Y (Europe)
 K1 : DDX8019 (North America) R2 : DDX8039 (Latin America)
 X2 : DDX8039 (Australia) M2 : DDX8039 (Other Areas)

△ Indicates safety critical components.

DDX8019/8029/8029Y/8039

PARTS LIST

CONTROL CIRCUIT UNIT (X29-443x-xx)

Ref. No.	Add	New	Parts No.	Description	Destination
R755-758			RK73GB2A100J	CHIP R 10 J 1/10W	
R759,760			RK73GB2A102J	CHIP R 1.0K J 1/10W	
R761-763			RK73GB2A750J	CHIP R 75 J 1/10W	
R764			RK73EB2E750J	CHIP R 75 J 1/4W	
R765-770			RK73FB2B100J	CHIP R 10 J 1/8W	
R771			RK73GB2A4R7J	CHIP R 4.7 J 1/10W	
R772-774			RK73FB2B100J	CHIP R 10 J 1/8W	
R775-777			RK73GB2A000J	CHIP R 0.0 J 1/10W	
R778			RK73GB2A103J	CHIP R 10K J 1/10W	
R779			RK73FB2B100J	CHIP R 10 J 1/8W	
R780,781			RK73GB2A103J	CHIP R 10K J 1/10W	
R782			RK73FB2B100J	CHIP R 10 J 1/8W	
R783			RK73GB2A103J	CHIP R 10K J 1/10W	
R784-787			RK73GB2A183J	CHIP R 18K J 1/10W	
R788,789			RK73GB2A222J	CHIP R 2.2K J 1/10W	
R790,791			RK73GB2A102J	CHIP R 1.0K J 1/10W	
R801-803			RK73GB2A103J	CHIP R 10K J 1/10W	
R805,806			RK73GB2A473J	CHIP R 47K J 1/10W	
R808			RK73GB2A182J	CHIP R 1.8K J 1/10W	
R811			RK73GB2A103J	CHIP R 10K J 1/10W	
R812,813			RK73GB2A473J	CHIP R 47K J 1/10W	
R814			RK73GB2A000J	CHIP R 0.0 J 1/10W	
R815			RK73GH2A333D	CHIP R 33K D 1/10W	
R816			RK73GH2A222D	CHIP R 2.2K D 1/10W	
R817			RK73GH2A153D	CHIP R 15K D 1/10W	
R818			RK73GB2A302J	CHIP R 3.0K J 1/10W	
R819			RK73GB2A623J	CHIP R 62K J 1/10W	
R820			RK73GB2A222J	CHIP R 2.2K J 1/10W	
R821,822			RK73GB2A473J	CHIP R 47K J 1/10W	
R823			RK73GB2A222J	CHIP R 2.2K J 1/10W	
R824			RK73GB2A682J	CHIP R 6.8K J 1/10W	
R825			RK73GB2A104J	CHIP R 100K J 1/10W	
R826			RK73GB2A682J	CHIP R 6.8K J 1/10W	
R827			RK73GB2A473J	CHIP R 47K J 1/10W	
R828			RK73GB2A104J	CHIP R 100K J 1/10W	
R829			RK73GB2A473J	CHIP R 47K J 1/10W	
R830			RK73GB2A222J	CHIP R 2.2K J 1/10W	
R831			RK73GB2A473J	CHIP R 47K J 1/10W	
R831			RK73GB2A473J	CHIP R 47K J 1/10W	
R831,832			RK73GB2A473J	CHIP R 47K J 1/10W	
R833-835			RK73GB2A101J	CHIP R 100 J 1/10W	
R836-841			RK73GB2A473J	CHIP R 47K J 1/10W	
R836-841			RK73GB2A473J	CHIP R 47K J 1/10W	
R842-844			RK73GB2A272J	CHIP R 2.7K J 1/10W	
R845-847			RK73GB2A123J	CHIP R 12K J 1/10W	
R848-850			RK73GB2A473J	CHIP R 47K J 1/10W	
R851,852			RK73GB2A103J	CHIP R 10K J 1/10W	
R853-855			RK73GB2A101J	CHIP R 100 J 1/10W	
R856			RK73GB2A000J	CHIP R 0.0 J 1/10W	
R857-859			RK73GB2A101J	CHIP R 100 J 1/10W	
D701-706			STZ6.2N	ZENER DIODE	E3E4
D704-706			STZ6.2N	ZENER DIODE	K1R2M2
D704-706			STZ6.2N	ZENER DIODE	X2
D707			UDZS6.2B	ZENER DIODE	
D708			AVRM1608180M6A	VARIATOR	

Ref. No.	Add	New	Parts No.	Description	Destination
D709,710			AVRM1608120M6A	VARIATOR	
D711			STZ6.2N	ZENER DIODE	
D712			UDZS6.8B	ZENER DIODE	
D713			DAP202U	DIODE	
D714			UDZS4.7B	ZENER DIODE	
D715			STZ6.2N	ZENER DIODE	
D716			UDZS6.2B	ZENER DIODE	
D717,718			UDZS6.8B	ZENER DIODE	
D719-722			STZ6.2N	ZENER DIODE	
D723			AVRM1608270MAA	VARIATOR	
D724			STZ6.2N	ZENER DIODE	
D728			UDZS8.2B	ZENER DIODE	
D729			STZ6.2N	ZENER DIODE	
D730,731			UDZS8.2B	ZENER DIODE	
D732			STZ6.2N	ZENER DIODE	
D733			UDZS8.2B	ZENER DIODE	
D734,735			DAP202U	DIODE	
D736,737			UDZS4.7B	ZENER DIODE	
D738			UDZS6.2B	ZENER DIODE	
D739			UDZS6.8B	ZENER DIODE	
D740-742			AVRM1608270MAA	VARIATOR	
IC701			NJM2794RB2ZB	ANALOGUE IC	
IC702			TC7S08FU-F	MOS-IC	
IC703,704			NJM2794RB2ZB	ANALOGUE IC	
IC801			BA7649F	ANALOGUE IC	
IC803			BA7652AF	ANALOGUE IC	
IC804			MM1508XNRE-E	ANALOGUE IC	
IC805			BA7653AFV	ANALOGUE IC	
IC806			MM1234XFBE-E	ANALOGUE IC	E3E4
Q801-805			2SC4081	TRANSISTOR	
Q806			2SA1576A	TRANSISTOR	
Q807			2SC4081	TRANSISTOR	
Q808-811			2SA1576A	TRANSISTOR	
Q813-815			2SC4081	TRANSISTOR	
ELECTRIC UNIT (X34-487x-xx)					
C1			C90-5612-05	ELECTRO 3900UF 16WV	
C2			CK73GB1H103K	CHIP C 0.010UF K	
C4-6			CK73FB1C105K	CHIP C 1.0UF K	
C7			CK73GB1H103K	CHIP C 0.010UF K	
C8			CD04AT1H3R3M	ELECTRO 3.3UF 50WV	
C9			CK73FB1C105K	CHIP C 1.0UF K	
C10			CK73GB1H104K	CHIP C 0.10UF K	
C11-13			CK73GB1H103K	CHIP C 0.010UF K	
C51			CD04AY1E221M	ELECTRO 220UF 25WV	
C53			CE32CL1C100M	CHIP EL 10UF 16WV	
C54			CD04AY0J331M	ELECTRO 330UF 6.3WV	
C71			CK73GB1A105K	CHIP C 1.0UF K	
C72			CE32CL1C470M	CHIP EL 47UF 16WV	
C73			CK73FB1E474K	CHIP C 0.47UF K	
C74			CK73GB1H103K	CHIP C 0.010UF K	
C81			CK73EB1E105K	CHIP C 1.0UF K	
C82			CK73GB1H473K	CHIP C 0.047UF K	
C91			CK73EB1E105K	CHIP C 1.0UF K	
C92			CK73GB1H473K	CHIP C 0.047UF K	
C101			CD04AT0J331M	ELECTRO 330UF 6.3WV	

E3 : DDX8029 E4 : DDX8029Y (Europe)
 K1 : DDX8019 (North America) R2 : DDX8039 (Latin America)
 X2 : DDX8039 (Australia) M2 : DDX8039 (Other Areas)

△ Indicates safety critical components.

DDX8019/8029/8029Y/8039

PARTS LIST

ELECTRIC UNIT (X34-487x-xx)

Ref. No.	Add	New	Parts No.	Description	Destination	Ref. No.	Add	New	Parts No.	Description	Destination
C103			CK73GB1H102K	CHIP C 1000PF K		C403			CD04AT1HR47M	ELECTRO 0.47UF 50WV	
C104,105			CK73GB1H104K	CHIP C 0.10UF K		C501			CK73GB1H103K	CHIP C 0.010UF K	
C106			CK73GB1A105K	CHIP C 1.0UF K		C630			C92-1943-05	ELECTRO 10UF 16WV	
C107-110			CK73GB1H104K	CHIP C 0.10UF K		C902			CE32BJ1C100M	CHIP EL 10UF 16WV	
C112			CK73GB1H102K	CHIP C 1000PF K		C903			CK73GB1H103K	CHIP C 0.010UF K	
C113-117			CK73GB1H103K	CHIP C 0.010UF K		C904,905			CE32BJ1C100M	CHIP EL 10UF 16WV	
C201			CD04AT1C470M	ELECTRO 47UF 16WV		C906			CK73GB1H103K	CHIP C 0.010UF K	
C202			CD04AT1C100M	ELECTRO 10UF 16WV		C907-909			CE32BJ1C100M	CHIP EL 10UF 16WV	
C205,206			CD04AT1H3R3M	ELECTRO 3.3UF 50WV		C910			CK73GB1H103K	CHIP C 0.010UF K	
C207			CK73FB1C105K	CHIP C 1.0UF K		C911,912			CE32BJ1C100M	CHIP EL 10UF 16WV	
C209-211			CD04AT1H010M	ELECTRO 1UF 50WV		C913			CK73GB1H103K	CHIP C 0.010UF K	
C212,213			CK73GB1A105K	CHIP C 1.0UF K		C914,915			CE32BJ1C100M	CHIP EL 10UF 16WV	
C216			CK73GB1H103K	CHIP C 0.010UF K		C916			CK73GB1H103K	CHIP C 0.010UF K	
C223,224			CK73FB1E474K	CHIP C 0.47UF K		C917,918			CE32BJ1C100M	CHIP EL 10UF 16WV	
C225,226			CD04AT1H2R2M	ELECTRO 2.2UF 50WV		C919			CK73GB1H103K	CHIP C 0.010UF K	
C227,228			CK73FB1E474K	CHIP C 0.47UF K		C920			CD04AS1C220M	ELECTRO 22UF 16WV	
C233			CD04AT1C100M	ELECTRO 10UF 16WV		C921			CD04AS1C101M	ELECTRO 100UF 16WV	
C234,235			CK73GB1H103K	CHIP C 0.010UF K		C922-924			CK73EB1E225K	CHIP C 2.2UF K	
C260-263			CK73GB1H103K	CHIP C 0.010UF K		C925			CD04BA1C220M	ELECTRO 22UF 16WV	
C264,265			CC73GCH1H100D	CHIP C 10PF D	K1R2E3	C926			CK73EB1E225K	CHIP C 2.2UF K	
C264,265			CC73GCH1H100D	CHIP C 10PF D	E4M2	C927			CK73GB1H223K	CHIP C 0.022UF K	
C266			CK73GB1H103K	CHIP C 0.010UF K	K1R2E3	C928			CK73GB1H103K	CHIP C 0.010UF K	
C266			CK73GB1H103K	CHIP C 0.010UF K	E4M2	C929,930			CD04BA1E4R7M	ELECTRO 4.7UF 25WV	
C267			CC73GCH1H331J	CHIP C 330PF J	K1R2E3	C931-933			CC73GCH1H102J	CHIP C 1000PF J	
C267			CC73GCH1H331J	CHIP C 330PF J	E4M2	C934			C92-1982-05	ELECTRO 10UF 35WV	
C268,269			CD04AT1C100M	ELECTRO 10UF 16WV	K1R2E3	C935			C92-1943-05	ELECTRO 10UF 16WV	
C268,269			CD04AT1C100M	ELECTRO 10UF 16WV	E4M2	C936			CK73GB1H104K	CHIP C 0.10UF K	
C270			CK73GB1H103K	CHIP C 0.010UF K	K1R2E3	C937			CK73GB1H103K	CHIP C 0.010UF K	
C270			CK73GB1H103K	CHIP C 0.010UF K	E4M2	C938			CK73GB1H104K	CHIP C 0.10UF K	
C303			CC73GCH1H471J	CHIP C 470PF J		C939			CK73EB0J106K	CHIP C 10UF K	
C305,306			C90-6779-05	ELECTRO 0.47UF 16WV		C940			CK73GB1A105K	CHIP C 1.0UF K	
C307			CC73GCH1H471J	CHIP C 470PF J		CN351			E41-2649-05	PIN ASSY	
C309			CC73GCH1H471J	CHIP C 470PF J		CN501			E41-2766-05	FLAT CABLE CONNECTOR	
C311,312			C90-6780-05	ELECTRO 1UF 16WV		CN502			E41-2197-05	FLAT CABLE CONNECTOR	
C313			CC73GCH1H471J	CHIP C 470PF J		J1			E58-1043-05	RECTANGULAR RECEPTACLE	
C315,316			CK73GB1A105K	CHIP C 1.0UF K		J2			E58-1067-05	RECTANGULAR RECEPTACLE	
C317,318			C90-6779-05	ELECTRO 0.47UF 16WV		J401			E56-0865-05	CYLINDRICAL RECEPTACLE	
C320			CK73GB1H104K	CHIP C 0.10UF K		W251			E30-6508-05	CORD WITH PLUG (FM-ANT)	
C326			CK73GB1H104K	CHIP C 0.10UF K		F51			F53-0297-05	FUSE (UL,CSA) 1.6A	
C327-330			CK73GB1H102K	CHIP C 1000PF K		L1			L33-2359-05	CHOKE COIL (140UH)	
C331-338			CK73GB1H222K	CHIP C 2200PF K		L71			L41-4795-33	SMALL FIXED INDUCTOR (4.7U)	
C339-346			CC73GCH1H220J	CHIP C 22PF J		L101			L92-0319-05	CHIP FERRITE	
C347-350			CC73GCH1H471J	CHIP C 470PF J		L251			L41-4795-33	SMALL FIXED INDUCTOR (4.7U)	
C351-354			CK73GB1H104K	CHIP C 0.10UF K		L253			L41-4795-33	SMALL FIXED INDUCTOR (4.7U)	
C355			CE32BJ1C100M	CHIP EL 10UF 16WV		L255			L41-4795-33	SMALL FIXED INDUCTOR (4.7U)	K1R2E3
C356,357			CK73GB1H102K	CHIP C 1000PF K		L255			L41-4795-33	SMALL FIXED INDUCTOR (4.7U)	E4M2
C358,359			CE32BJ1C100M	CHIP EL 10UF 16WV		L901			L41-2205-33	SMALL FIXED INDUCTOR (22U)	
C360,361			CK73GB1H102K	CHIP C 1000PF K		X101			L78-1220-05	RESONATOR (19.8000MHZ)	
C362,363			CE32BJ1C100M	CHIP EL 10UF 16WV		X251			L77-2002-05	CRYSTAL RESONATOR	K1R2E3
C364,365			CK73GB1H102K	CHIP C 1000PF K		X251			L77-2002-05	CRYSTAL RESONATOR	E4M2
C366,367			CE32BJ1C100M	CHIP EL 10UF 16WV		AB	2C		N86-3006-48	BINDING HEAD TAPTITE SCREW	
C368,369			CK73GB1H102K	CHIP C 1000PF K							
C370			CE32BJ1C100M	CHIP EL 10UF 16WV							
C401			CD04AT1HR47M	ELECTRO 0.47UF 50WV							
C402			CD04AT0J470M	ELECTRO 47UF 6.3WV							

E3 : DDX8029 E4 : DDX8029Y (Europe)
 K1 : DDX8019 (North America) R2 : DDX8039 (Latin America)
 X2 : DDX8039 (Australia) M2 : DDX8039 (Other Areas)

△ Indicates safety critical components.

PARTS LIST

ELECTRIC UNIT (X34-487x-xx)

Ref. No.	Add	New	Parts No.	Description	Destination	Ref. No.	Add	New	Parts No.	Description	Destination
R1			RK73GB2A103J	CHIP R 10K J 1/10W		R88			RK73GB2A103J	CHIP R 10K J 1/10W	
R3			RK73EB2E272J	CHIP R 2.7K J 1/4W		R89			RK73GB2A473J	CHIP R 47K J 1/10W	
R4			RK73GB2A102J	CHIP R 1.0K J 1/10W		R91			RK73GB2A472J	CHIP R 4.7K J 1/10W	
R6			RK73GB2A473J	CHIP R 47K J 1/10W		R92			RK73EB2E152J	CHIP R 1.5K J 1/4W	
R7			RK73GB2A103J	CHIP R 10K J 1/10W		R93			RK73GB2A621J	CHIP R 620 J 1/10W	
R8			RK73EB2E103J	CHIP R 10K J 1/4W		R94			RK73GB2A242J	CHIP R 2.4K J 1/10W	
R9			RK73GB2A473J	CHIP R 47K J 1/10W		R95,96			RK73PB2H2R0J	CHIP R 2.0 J 1/2W	
R10			RK73EB2E272J	CHIP R 2.7K J 1/4W		R97			RK73GB2A124J	CHIP R 120K J 1/10W	
R11			RK73GB2A102J	CHIP R 1.0K J 1/10W		R98			RK73GB2A103J	CHIP R 10K J 1/10W	
R12			RK73EB2E102J	CHIP R 1.0K J 1/4W		R99			RK73GB2A473J	CHIP R 47K J 1/10W	
R13			RK73GB2A104J	CHIP R 100K J 1/10W		R102			RK73GB2A472J	CHIP R 4.7K J 1/10W	
R14			RK73GB2A223J	CHIP R 22K J 1/10W		R103-106			RK73GB2A473J	CHIP R 47K J 1/10W	
R15			RK73GB2A103J	CHIP R 10K J 1/10W		R107			RK73GB2A101J	CHIP R 100 J 1/10W	
R16			RK73GB2A183J	CHIP R 18K J 1/10W		R108			RK73GB2A471J	CHIP R 470 J 1/10W	
R19			RK73GB2A683J	CHIP R 68K J 1/10W		R109-112			RK73GB2A101J	CHIP R 100 J 1/10W	
R21			RK73GB2A393J	CHIP R 39K J 1/10W		R113			RK73GB2A473J	CHIP R 47K J 1/10W	
R22			RK73GB2A104J	CHIP R 100K J 1/10W		R114-117			RK73GB2A101J	CHIP R 100 J 1/10W	
R23			RK73FB2B472J	CHIP R 4.7K J 1/8W		R118			RK73GB2A223J	CHIP R 22K J 1/10W	
R24			RK73GB2A223J	CHIP R 22K J 1/10W		R119-122			RK73GB2A473J	CHIP R 47K J 1/10W	
R25,26			RK73PB2H102J	CHIP R 1.0K J 1/2W		R123			RK73GB2A104J	CHIP R 100K J 1/10W	
R27			RK73GB2A000J	CHIP R 0.0 J 1/10W	E3E4	R124-126			RK73GB2A473J	CHIP R 47K J 1/10W	
R28			RK73GB2A103J	CHIP R 10K J 1/10W	K1R2M2	R127,128			RK73GB2A101J	CHIP R 100 J 1/10W	
R28			RK73GB2A103J	CHIP R 10K J 1/10W	X2	R129-131			RK73GB2A103J	CHIP R 10K J 1/10W	
R29			RK73GB2A222J	CHIP R 2.2K J 1/10W	K1R2M2	R132			RK73GB2A000J	CHIP R 0.0 J 1/10W	
R29			RK73GB2A222J	CHIP R 2.2K J 1/10W	X2	R134			RK73GB2A102J	CHIP R 1.0K J 1/10W	
R30			RK73FB2B472J	CHIP R 4.7K J 1/8W		R135-139			RK73GB2A101J	CHIP R 100 J 1/10W	
R31,32			RK73PB2H102J	CHIP R 1.0K J 1/2W	K1R2M2	R140			RK73GB2A473J	CHIP R 47K J 1/10W	
R31,32			RK73PB2H102J	CHIP R 1.0K J 1/2W	X2	R141			RK73GB2A102J	CHIP R 1.0K J 1/10W	
R33			RK73GB2A103J	CHIP R 10K J 1/10W	K1R2M2	R142-147			RK73GB2A101J	CHIP R 100 J 1/10W	
R33			RK73GB2A103J	CHIP R 10K J 1/10W	X2	R148,149			RK73GB2A103J	CHIP R 10K J 1/10W	
R34			RK73GB2A473J	CHIP R 47K J 1/10W		R150-152			RK73GB2A473J	CHIP R 47K J 1/10W	
R35			RK73GB2A222J	CHIP R 2.2K J 1/10W		R153			RK73GB2A103J	CHIP R 10K J 1/10W	X2
R36			RK73FB2B561J	CHIP R 560 J 1/8W		R155			RK73GB2A103J	CHIP R 10K J 1/10W	
R37			RK73EB2E102J	CHIP R 1.0K J 1/4W		R157			RK73GB2A303J	CHIP R 30K J 1/10W	X2
R38			RK73GB2A104J	CHIP R 100K J 1/10W		R157			RK73GB2A332J	CHIP R 3.3K J 1/10W	E3E4
R39			RK73GB2A473J	CHIP R 47K J 1/10W		R157,158			RK73GB2A103J	CHIP R 10K J 1/10W	K1M2
R40			RK73EB2E103J	CHIP R 10K J 1/4W		R158			RK73GB2A103J	CHIP R 10K J 1/10W	R2E3E4
R51			RK73EB2E000J	CHIP R 0.0 J 1/4W		R158			RK73GB2A103J	CHIP R 10K J 1/10W	X2
R52			RK73FB2B223J	CHIP R 22K J 1/8W		R160			RK73GB2A103J	CHIP R 10K J 1/10W	K1
R53,54			RK73GB2A101J	CHIP R 100 J 1/10W		R160,161			RK73GB2A103J	CHIP R 10K J 1/10W	R2E3E4
R55			RK73GB2A223J	CHIP R 22K J 1/10W		R160,161			RK73GB2A103J	CHIP R 10K J 1/10W	M2X2
R56			RK73FB2B222J	CHIP R 2.2K J 1/8W		R162			RK73GB2A101J	CHIP R 100 J 1/10W	
R71			RK73FB2B221J	CHIP R 220 J 1/8W		R163			RK73GB2A102J	CHIP R 1.0K J 1/10W	
R72			RK73GH2A243D	CHIP R 24K D 1/10W		R164			RK73GB2A222J	CHIP R 2.2K J 1/10W	X2
R73			RK73GH2A432D	CHIP R 4.3K D 1/10W		R164,165			RK73GB2A222J	CHIP R 2.2K J 1/10W	K1R2E3
R75,76			RK73GB2A473J	CHIP R 47K J 1/10W		R164,165			RK73GB2A222J	CHIP R 2.2K J 1/10W	E4M2
R77			RK73FB2B472J	CHIP R 4.7K J 1/8W		R166			RK73GB2A101J	CHIP R 100 J 1/10W	
R78,79			RK73GB2A473J	CHIP R 47K J 1/10W		R167			RK73GB2A103J	CHIP R 10K J 1/10W	
R80			RK73FB2B472J	CHIP R 4.7K J 1/8W		R168-177			RK73GB2A101J	CHIP R 100 J 1/10W	
R81			RK73GB2A472J	CHIP R 4.7K J 1/10W		R178			RK73GB2A471J	CHIP R 470 J 1/10W	
R82			RK73EB2E152J	CHIP R 1.5K J 1/4W		R179,180			RK73GB2A104J	CHIP R 100K J 1/10W	
R83			RK73GB2A621J	CHIP R 620 J 1/10W		R181-184			RK73GB2A473J	CHIP R 47K J 1/10W	
R84			RK73GB2A242J	CHIP R 2.4K J 1/10W		R185			RK73GB2A472J	CHIP R 4.7K J 1/10W	
R85,86			RK73PB2H2R0J	CHIP R 2.0 J 1/2W		R186-188			RK73GB2A104J	CHIP R 100K J 1/10W	
R87			RK73GB2A124J	CHIP R 120K J 1/10W		R189,190			RK73GB2A473J	CHIP R 47K J 1/10W	

E3 : DDX8029 E4 : DDX8029Y (Europe)
K1 : DDX8019 (North America) R2 : DDX8039 (Latin America)
X2 : DDX8039 (Australia) M2 : DDX8039 (Other Areas)

△ Indicates safety critical components.

DDX8019/8029/8029Y/8039

PARTS LIST

ELECTRIC UNIT (X34-487x-xx)

Ref. No.	Add	New	Parts No.	Description	Destination	Ref. No.	Add	New	Parts No.	Description	Destination
R191,192			RK73GB2A101J	CHIP R 100 J 1/10W		R381			RK73GB2A223J	CHIP R 22K J 1/10W	
R193			RK73GB2A103J	CHIP R 10K J 1/10W		R382,383			RK73GB2A103J	CHIP R 10K J 1/10W	
R194,195			RK73GB2A101J	CHIP R 100 J 1/10W		R384			RK73GB2A223J	CHIP R 22K J 1/10W	
R197			RK73GB2A472J	CHIP R 4.7K J 1/10W		R385			RK73FB2B101J	CHIP R 100 J 1/8W	
R200			RK73GB2A104J	CHIP R 100K J 1/10W		R386			RK73GB2A471J	CHIP R 470 J 1/10W	
R201			RK73EB2E2R2J	CHIP R 2.2 J 1/4W		R401-403			RK73EB2E432J	CHIP R 4.3K J 1/4W	
R204			RK73GB2A104J	CHIP R 100K J 1/10W		R404,405			RK73EB2E101J	CHIP R 100 J 1/4W	
R205			RK73GB2A102J	CHIP R 1.0K J 1/10W		R406,407			RK73EB2E432J	CHIP R 4.3K J 1/4W	
R206,207			RK73GB2A103J	CHIP R 10K J 1/10W		R408			RK73EB2E101J	CHIP R 100 J 1/4W	
R208,209			RK73GB2A101J	CHIP R 100 J 1/10W		R409			RK73EB2E100J	CHIP R 10 J 1/4W	
R210,211			RK73GB2A102J	CHIP R 1.0K J 1/10W		R410			RK73EB2E4R7J	CHIP R 4.7 J 1/4W	
R212-215			RK73GB2A000J	CHIP R 0.0 J 1/10W		R411			RK73EB2E100J	CHIP R 10 J 1/4W	
R216-219			RK73GB2A101J	CHIP R 100 J 1/10W		R501			RK73EB2E000J	CHIP R 0.0 J 1/4W	
R222			RK73GB2A2R2J	CHIP R 2.2 J 1/10W		R901,902			RK73FB2B103J	CHIP R 10K J 1/8W	
R251			RK73GB2A223J	CHIP R 22K J 1/10W		R903			RK73EB2E820J	CHIP R 82 J 1/4W	
R252			RK73GB2A102J	CHIP R 1.0K J 1/10W		R904			RK73GB2A104J	CHIP R 100K J 1/10W	
R253			RK73GB2A000J	CHIP R 0.0 J 1/10W		R905			RK73EB2E820J	CHIP R 82 J 1/4W	
R254			RK73GB2A1R0J	CHIP R 1.0 J 1/10W		R906,907			RK73FB2B103J	CHIP R 10K J 1/8W	
R255-257			RK73GB2A222J	CHIP R 2.2K J 1/10W	K1R2E3	R908			RK73GB2A104J	CHIP R 100K J 1/10W	
R255-257			RK73GB2A222J	CHIP R 2.2K J 1/10W	E4M2	R909			RK73EB2E820J	CHIP R 82 J 1/4W	
R260			RK73GB2A512J	CHIP R 5.1K J 1/10W	K1R2E3	R910,911			RK73FB2B103J	CHIP R 10K J 1/8W	
R260			RK73GB2A512J	CHIP R 5.1K J 1/10W	E4M2	R912,913			RK73GB2A104J	CHIP R 100K J 1/10W	
R261			RK73GB2A000J	CHIP R 0.0 J 1/10W	K1R2E3	R914			RK73EB2E820J	CHIP R 82 J 1/4W	
R261			RK73GB2A000J	CHIP R 0.0 J 1/10W	E4M2	R915-918			RK73FB2B103J	CHIP R 10K J 1/8W	
R301			RK73GB2A473J	CHIP R 47K J 1/10W		R919			RK73GB2A104J	CHIP R 100K J 1/10W	
R302			RK73GB2A272J	CHIP R 2.7K J 1/10W		R920			RK73EB2E820J	CHIP R 82 J 1/4W	
R303			RK73GB2A331J	CHIP R 330 J 1/10W		R921			RK73GB2A104J	CHIP R 100K J 1/10W	
R304			RK73GB2A473J	CHIP R 47K J 1/10W		R922			RK73EB2E820J	CHIP R 82 J 1/4W	
R305			RK73GB2A432J	CHIP R 4.3K J 1/10W		R923,924			RK73FB2B103J	CHIP R 10K J 1/8W	
R306			RK73GB2A100J	CHIP R 10 J 1/10W		R926			RK73FB2B152J	CHIP R 1.5K J 1/8W	
R307-310			RK73GB2A470J	CHIP R 47 J 1/10W		R927			RK73GB2A752J	CHIP R 7.5K J 1/10W	
R311			RK73GB2A000J	CHIP R 0.0 J 1/10W		R928			RK73GB2A750J	CHIP R 75 J 1/10W	
R355			RK73FB2B101J	CHIP R 100 J 1/8W		R929			RK73GB2A272J	CHIP R 2.7K J 1/10W	
R356			RK73GB2A471J	CHIP R 470 J 1/10W		R930			RK73GB2A470J	CHIP R 47 J 1/10W	
R357			RK73GB2A223J	CHIP R 22K J 1/10W		R931			RK73GB2A752J	CHIP R 7.5K J 1/10W	
R358,359			RK73GB2A103J	CHIP R 10K J 1/10W		R932			RK73GB2A274J	CHIP R 270K J 1/10W	
R360			RK73GB2A223J	CHIP R 22K J 1/10W		R933			RK73GB2A563J	CHIP R 56K J 1/10W	
R361			RK73FB2B101J	CHIP R 100 J 1/8W		R934			RK73GB2A470J	CHIP R 47 J 1/10W	
R362			RK73GB2A471J	CHIP R 470 J 1/10W		R935			RK73GB2A103J	CHIP R 10K J 1/10W	
R363			RK73FB2B101J	CHIP R 100 J 1/8W		R936,937			RK73GB2A913J	CHIP R 91K J 1/10W	
R364			RK73GB2A471J	CHIP R 470 J 1/10W		R941			RK73GH2A472D	CHIP R 4.7K D 1/10W	
R365			RK73GB2A223J	CHIP R 22K J 1/10W		R942			RK73GH2A473D	CHIP R 47K D 1/10W	
R366,367			RK73GB2A103J	CHIP R 10K J 1/10W		R943,944			RK73GB2A102J	CHIP R 1.0K J 1/10W	
R368			RK73GB2A223J	CHIP R 22K J 1/10W		R945			RK73GB2A391J	CHIP R 390 J 1/10W	
R369			RK73FB2B101J	CHIP R 100 J 1/8W		R946			RK73GH2A152D	CHIP R 1.5K D 1/10W	
R370			RK73GB2A471J	CHIP R 470 J 1/10W		R947			RK73GH2A222D	CHIP R 2.2K D 1/10W	
R371			RK73FB2B101J	CHIP R 100 J 1/8W		R948			RK73GB2A101J	CHIP R 100 J 1/10W	
R372			RK73GB2A471J	CHIP R 470 J 1/10W		R950			RK73GH2A102D	CHIP R 1.0K D 1/10W	
R373			RK73GB2A223J	CHIP R 22K J 1/10W		R951			RK73GH2A223D	CHIP R 22K D 1/10W	
R374,375			RK73GB2A103J	CHIP R 10K J 1/10W		R952			RK73GB2A101J	CHIP R 100 J 1/10W	
R376			RK73GB2A223J	CHIP R 22K J 1/10W		R953			RK73GH2A472D	CHIP R 4.7K D 1/10W	
R377			RK73FB2B101J	CHIP R 100 J 1/8W		R954			RK73GB2A4R7J	CHIP R 4.7 J 1/10W	
R378			RK73GB2A471J	CHIP R 470 J 1/10W		R955			RK73GB2A472J	CHIP R 4.7K J 1/10W	
R379			RK73FB2B101J	CHIP R 100 J 1/8W		R956			RK73FB2B152J	CHIP R 1.5K J 1/8W	
R380			RK73GB2A471J	CHIP R 470 J 1/10W		R957			RK73GB2A104J	CHIP R 100K J 1/10W	

E3 : DDX8029 E4 : DDX8029Y (Europe)
 K1 : DDX8019 (North America) R2 : DDX8039 (Latin America)
 X2 : DDX8039 (Australia) M2 : DDX8039 (Other Areas)

△ Indicates safety critical components.

PARTS LIST

ELECTRIC UNIT (X34-487x-xx)

Ref. No.	Add	New	Parts No.	Description	Destination	Ref. No.	Add	New	Parts No.	Description	Destination
R958			RK73FB2B1R0J	CHIP R 1.0 J 1/8W		Q6			2SC4081	TRANSISTOR	
R959			RK73GB2A103J	CHIP R 10K J 1/10W		Q7			2SB1188 (Q,R)	TRANSISTOR	
R960			RK73GB2A101J	CHIP R 100 J 1/10W		Q8			2SA1576A	TRANSISTOR	
R961			RK73GB2A103J	CHIP R 10K J 1/10W		Q9			DTA114EUA	DIGITAL TRANSISTOR	
R962			RK73GB2A123J	CHIP R 12K J 1/10W		Q10			DTC114YUA	DIGITAL TRANSISTOR	
R963			RK73GB2A473J	CHIP R 47K J 1/10W		Q11			2SB1188 (R)	TRANSISTOR	K1R2M2
D1			RM10ZLFNF	DIODE		Q11			2SB1188 (R)	TRANSISTOR	X2
D2-4			DAN202U	DIODE		Q12			2SC4081	TRANSISTOR	K1R2M2
D5			UDZS6.2B	ZENER DIODE		Q12			2SC4081	TRANSISTOR	X2
D6			UDZS6.8B	ZENER DIODE		Q13			2SA1576A	TRANSISTOR	
D7			DAP202U	DIODE		Q51			2SB1565 (E,F)	TRANSISTOR	
D8			UDZS6.8B	ZENER DIODE		Q52			2SC4081	TRANSISTOR	
D9			DAP202U	DIODE		Q53			2SB1689	TRANSISTOR	
D10-13			1SR154-400	DIODE		Q54			DTC124EUA	DIGITAL TRANSISTOR	
D14			UDZS5.6B	ZENER DIODE		Q70			DTC124EUA	DIGITAL TRANSISTOR	
D15			UDZS4.7B	ZENER DIODE		Q71			2SB1565 (E,F)	TRANSISTOR	
D18			M1F60-6063	DIODE		Q72			DTA124EUA	DIGITAL TRANSISTOR	
D21			M1F60-6063	DIODE		Q81			DTC114TUA	DIGITAL TRANSISTOR	
D52			UDZS5.6B	ZENER DIODE		Q82			2SC4081	TRANSISTOR	
D53			DA204U	DIODE		Q83			2SB1443	TRANSISTOR	
D81,82			1SR154-400	DIODE		Q84			2SA1576A	TRANSISTOR	
D91,92			1SR154-400	DIODE		Q85,86			2SC4081	TRANSISTOR	
D101			DAP202U	DIODE		Q91			DTC114TUA	DIGITAL TRANSISTOR	
D111			UDZS5.6B	ZENER DIODE		Q92			2SC4081	TRANSISTOR	
D112,113			1SS355	DIODE		Q93			2SB1443	TRANSISTOR	
D201-205			DAP202U	DIODE		Q94			2SA1576A	TRANSISTOR	
D251			IMSA-6802-E	SURGE ABSORBER		Q95,96			2SC4081	TRANSISTOR	
D252,253			DA204U	DIODE		Q101,102			DTC144EUA	DIGITAL TRANSISTOR	
D301			DAP202U	DIODE		Q103			DTA114EUA	DIGITAL TRANSISTOR	
D351-358			AVRM1608180M6A	VARISTOR		Q104			DTA114TUA	DIGITAL TRANSISTOR	
D359-365			DAP202U	DIODE		Q105			DTC114TUA	DIGITAL TRANSISTOR	
D401-404			STZ6.8N	ZENER DIODE		Q107			RT1N440M	TRANSISTOR	
D405-407			UDZS6.8B	ZENER DIODE		Q108			2SC4081	TRANSISTOR	
D901			UDZS11B	ZENER DIODE		Q108			2SC4081	TRANSISTOR	
D902			UDZS5.6B	ZENER DIODE		Q251			DTC124EUA	DIGITAL TRANSISTOR	
D903			UDZS16B	ZENER DIODE		Q252			2SB1689	TRANSISTOR	
IC71			M5237ML-CF0J	ANALOGUE IC		Q351			DTC323TU	DIGITAL TRANSISTOR	
IC101			703030BYGCJ30	MICROCONTROLLER IC		Q352			DTA144EUA	DIGITAL TRANSISTOR	
IC102			S-80842CNNB-G	MOS-IC		Q353-356			DTC323TU	DIGITAL TRANSISTOR	
IC104			TC7SET08FU-F	MOS-IC		Q357			DTA144EUA	DIGITAL TRANSISTOR	
IC105			BU2090FS	MOS-IC		Q358,359			DTC323TU	DIGITAL TRANSISTOR	
IC106			TC74VHCT08AFT	MOS-IC		Q360			DTA144EUA	DIGITAL TRANSISTOR	
IC201			E-TDA7415CB	ANALOGUE IC		Q361			DTC323TU	DIGITAL TRANSISTOR	
IC202,203			TC4052BFT	MOS-IC		Q901			UMC2N	TRANSISTOR	
IC251		*	E-TDA7478AD	ANALOGUE IC	K1R2E3	Q903			2SB1443	TRANSISTOR	
IC251		*	E-TDA7478AD	ANALOGUE IC	E4M2	Q904			2SC4081	TRANSISTOR	
IC301		*	TB2923HQ	ANALOGUE IC		Q905			2SA1576A	TRANSISTOR	
IC901-903			NJM4565V-ZB	ANALOGUE IC		Q906			2SC4081	TRANSISTOR	
IC904			ICL7660SIBAZ	ANALOGUE IC		Q907			2SA1576A	TRANSISTOR	
IC910,911			NJM4565V-ZB	ANALOGUE IC		Q908			2SC4617	TRANSISTOR	
Q1			DTC143EUA	DIGITAL TRANSISTOR		Q909			2SA1774	TRANSISTOR	
Q2			2SA1576A	TRANSISTOR		Q910			2SC4617	TRANSISTOR	
Q3			DTC124EUA	DIGITAL TRANSISTOR		Q911			2SA1576A	TRANSISTOR	
Q4			2SC4081	TRANSISTOR		Q921,922			2SC4081	TRANSISTOR	
						Q923		*	2SC5712-F	TRANSISTOR	
						Q924			UMC2N	TRANSISTOR	

E3 : DDX8029 E4 : DDX8029Y (Europe)
K1 : DDX8019 (North America) R2 : DDX8039 (Latin America)
X2 : DDX8039 (Australia) M2 : DDX8039 (Other Areas)

△ Indicates safety critical components.

DDX8019/8029/8029Y/8039

PARTS LIST

ELECTRIC UNIT (X34-487x-xx)

Ref. No.	Add	New	Parts No.	Description	Destination
TH301			PRF18BE471QB2	POSITIVE RESISTOR	
A251			X86-4080-11	FRONT-END UNIT	K1R2X2
A251			X86-4082-70	FRONT-END UNIT	E3E4M2
VIDEO UNIT (X35-4730-10)					
C1,2			CK73DF1E106Z	CHIP C 10UF Z	
C3-6			CK73GB1H103K	CHIP C 0.010UF K	
C7,8			CK73GB0J225K	CHIP C 2.2UF K	
C9			CK73GB1A474K	CHIP C 0.47UF K	
C10			CK73GB1E183K	CHIP C 0.018UF K	
C11			CK73GB1H152K	CHIP C 1500PF K	
C12			CK73GB0J225K	CHIP C 2.2UF K	
C13			CK73GB1H103K	CHIP C 0.010UF K	
C14,15			CK73GB1H473K	CHIP C 0.047UF K	
C16			C93-1383-05	CHIP C 220PF F	
C17			CK73GB1H103K	CHIP C 0.010UF K	
C18-20			CK73DF1E106Z	CHIP C 10UF Z	
C21-24			C93-1283-05	CHIP C 1.0UF K	
C25			C93-1270-05	CHIP C 3300PF K	
C26			C93-1273-05	CHIP C 15PF J	
C27			C93-1278-05	CHIP C 0.018UF K	
C101			CK73FB0J106K	CHIP C 10UF K	
C102			CK73GB1H103K	CHIP C 0.010UF K	
C103			CK73GB1H104K	CHIP C 0.10UF K	
C104			CK73GB1H103K	CHIP C 0.010UF K	
C106			CK73FB1E154K	CHIP C 0.15UF K	
C107			CK73GB1H104K	CHIP C 0.10UF K	
C108			CK73GB1C224K	CHIP C 0.22UF K	
C109			CC73GCH1H151J	CHIP C 150PF J	
C110			CK73EB1E225K	CHIP C 2.2UF K	
C111			CK73FB1C105K	CHIP C 1.0UF K	
C112			CE32AU1C220M	CHIP EL 22UF 16WV	
C114			CK73GB1H103K	CHIP C 0.010UF K	
C116			CK73EB1C106K	CHIP C 10UF K	
C117			CK73GB1H103K	CHIP C 0.010UF K	
C120-122			CK73GB1H104K	CHIP C 0.10UF K	
C123			CC73GCH1H102J	CHIP C 1000PF J	
C303			CC73GCH1H100D	CHIP C 10PF D	
C304			CC73GCH1H271J	CHIP C 270PF J	
C306			CC73GCH1H100D	CHIP C 10PF D	
C307			CC73GCH1H101J	CHIP C 100PF J	
C308			CK73GB1H104K	CHIP C 0.10UF K	
C309			CK73EB1C106K	CHIP C 10UF K	
C310			CK73GB1H103K	CHIP C 0.010UF K	
C312			CK73GB1H333K	CHIP C 0.033UF K	
C313			CK73DF1E106Z	CHIP C 10UF Z	
C314			CK73GB1H104K	CHIP C 0.10UF K	
C315			CK73GB1H103K	CHIP C 0.010UF K	
C316			CK73FB0J106K	CHIP C 10UF K	
C317,318			CK73GB1H103K	CHIP C 0.010UF K	
C319			CC73GCH1H390J	CHIP C 39PF J	
C320			CK73GB1H104K	CHIP C 0.10UF K	
C321,322			CK73GB1H103K	CHIP C 0.010UF K	
C323			CC73GCH1H390J	CHIP C 39PF J	
C324			CK73GB1H103K	CHIP C 0.010UF K	

Ref. No.	Add	New	Parts No.	Description	Destination
C326,327			CK73GB1H104K	CHIP C 0.10UF K	
C328			CK73GB1H103K	CHIP C 0.010UF K	
C329			CK73EB1C106K	CHIP C 10UF K	
C330			CK73GB1H104K	CHIP C 0.10UF K	
C331			CC73GCH1H330J	CHIP C 33PF J	
C332-334			CK73GB1H103K	CHIP C 0.010UF K	
C335			CC73GCH1H681J	CHIP C 680PF J	
C336,337			CK73GB1H104K	CHIP C 0.10UF K	
C338			CC73GCH1E102J	CHIP C 1000PF J	
C339			CC73GCH1H101J	CHIP C 100PF J	
C340,341			CK73GB1H104K	CHIP C 0.10UF K	
C342			CC73GCH1H101J	CHIP C 100PF J	
C343			CK73EB1E105K	CHIP C 1.0UF K	
C344,345			CK73FB0J106K	CHIP C 10UF K	
C346			CK73FB1C105K	CHIP C 1.0UF K	
C350			CC73GCH1H101J	CHIP C 100PF J	
C351			CK73FB1C105K	CHIP C 1.0UF K	
C353			CK73GB0J106M	CHIP C 10UF M	
C356			C93-1389-05	CHIP C 33PF J	
C500,501			CK73GB1H103K	CHIP C 0.010UF K	
C502			CK73FB0J106K	CHIP C 10UF K	
C600			CK73FB0J106K	CHIP C 10UF K	
CN1			E41-2642-05	PIN ASSY	
CN300			E41-2608-05	FLAT CABLE CONNECTOR	
CN301			E41-2208-05	FLAT CABLE CONNECTOR	
CN500			E41-2088-05	FLAT CABLE CONNECTOR	
CN600			E41-2613-05	FLAT CABLE CONNECTOR	
F1			F53-0297-05	FUSE (UL,CSA) 1.6A	
F100			F53-0280-05	FUSE 0.63A	
L1			L33-2316-05	CHOKE COIL (10UH)	
L2			L19-0802-05	TRANSFORMER FOR CONVERTER	
L100			L41-4792-13	SMALL FIXED INDUCTOR (4.7UH)	
L101			L41-1005-33	SMALL FIXED INDUCTOR (10U)	
L102,103			L41-3392-13	SMALL FIXED INDUCTOR (3.3UH)	
L104,105			L41-1005-33	SMALL FIXED INDUCTOR (10U)	
L106			L33-2316-05	CHOKE COIL (10UH)	
L300,301			L41-1005-33	SMALL FIXED INDUCTOR (10U)	
L302			L41-5695-33	SMALL FIXED INDUCTOR (5.6U)	
L303			L41-8281-15	SMALL FIXED INDUCTOR (0.82U)	
L501			L41-1005-33	SMALL FIXED INDUCTOR (10U)	
L600			L41-1005-33	SMALL FIXED INDUCTOR (10U)	
CP301,302			RK74GB1J102J	CHIP-COM 1.0K J 1/16W	
CP303			RK74GB1J101J	CHIP-COM 100 J 1/16W	
R1			RK73FB2B152J	CHIP R 1.5K J 1/8W	
R2,3			RK73GB2A000J	CHIP R 0.0 J 1/10W	
R5			RK73GB2A153J	CHIP R 15K J 1/10W	
R7			RK73GB2A222J	CHIP R 2.2K J 1/10W	
R8			RK73GB2A220J	CHIP R 22 J 1/10W	
R9			RK73GH2A433D	CHIP R 43K D 1/10W	
R10			RK73GB2A220J	CHIP R 22 J 1/10W	
R11			RK73GB2A515J	CHIP R 5.1M J 1/10W	
R12			RK73GH2A513D	CHIP R 51K D 1/10W	
R13			RK73GB2A104J	CHIP R 100K J 1/10W	

E3 : DDX8029 E4 : DDX8029Y (Europe)
 K1 : DDX8019 (North America) R2 : DDX8039 (Latin America)
 X2 : DDX8039 (Australia) M2 : DDX8039 (Other Areas)

△ Indicates safety critical components.

DDX8019/8029/8029Y/8039

PARTS LIST

VIDEO UNIT (X35-4730-10)

Ref. No.	Add	New	Parts No.	Description	Destination	Ref. No.	Add	New	Parts No.	Description	Destination
R14			RK73GH2A164D	CHIP R 160K D 1/10W		R360			RK73GH2A101D	CHIP R 100 D 1/10W	
R15			RK73GB2A472J	CHIP R 4.7K J 1/10W		R361			RK73GH2A331D	CHIP R 330 D 1/10W	
R16			RK73GB2A105J	CHIP R 1.0M J 1/10W		R362			RK73GH2A683D	CHIP R 68K D 1/10W	
R17			RK73GB2A512J	CHIP R 5.1K J 1/10W		R363			RK73GH2A182D	CHIP R 1.8K D 1/10W	
R18			RK73GH2A563D	CHIP R 56K D 1/10W		R364			RK73GH2A332D	CHIP R 3.3K D 1/10W	
R19			RK73GH2A754D	CHIP R 750K D 1/10W		R365			RK73GB2A105J	CHIP R 1.0M J 1/10W	
R20			RK73GB2A512J	CHIP R 5.1K J 1/10W		R367			RK73GB2A102J	CHIP R 1.0K J 1/10W	
R21-24			RK73GB2A220J	CHIP R 22 J 1/10W		R368-371			RK73GB2A101J	CHIP R 100 J 1/10W	
R25			RK73GH2A471D	CHIP R 470 D 1/10W		R372			RK73GH2A153D	CHIP R 15K D 1/10W	
R27			RK73GH2A103D	CHIP R 10K D 1/10W		R373			RK73GB2A300J	CHIP R 30 J 1/10W	
R101			RK73GH2A184D	CHIP R 180K D 1/10W		R374-377			RK73GB2A101J	CHIP R 100 J 1/10W	
R102			RK73GH2A133D	CHIP R 13K D 1/10W		R378			RK73GB2A102J	CHIP R 1.0K J 1/10W	
R103			RK73GH2A104D	CHIP R 100K D 1/10W		R379,380			RK73GB2A101J	CHIP R 100 J 1/10W	
R104			RK73GH2A113D	CHIP R 11K D 1/10W		R381			RK73GB2A133J	CHIP R 13K J 1/10W	
R105			RK73GB2A473J	CHIP R 47K J 1/10W		R383			RK73GB2A562J	CHIP R 5.6K J 1/10W	
R106			RK73GB2A000J	CHIP R 0.0 J 1/10W		R384			RK73GB2A473J	CHIP R 47K J 1/10W	
R107			RK73EB2E000J	CHIP R 0.0 J 1/4W		R385			RK73GB2A820J	CHIP R 82 J 1/10W	
R108			RK73GB2A102J	CHIP R 1.0K J 1/10W		R386			RK73GB2A912J	CHIP R 9.1K J 1/10W	
R109			RK73GB2A103J	CHIP R 10K J 1/10W		R387			RK73GB2A202J	CHIP R 2.0K J 1/10W	
R110			RK73GB2A754J	CHIP R 750K J 1/10W		R389			RK73GB2A562J	CHIP R 5.6K J 1/10W	
R111			RK73GB2A222J	CHIP R 2.2K J 1/10W		R390-397			RK73GB2A000J	CHIP R 0.0 J 1/10W	
R113			RK73GB2A100J	CHIP R 10 J 1/10W		R400,401			RK73GB2A000J	CHIP R 0.0 J 1/10W	
R300-302			RK73GB2A000J	CHIP R 0.0 J 1/10W		R500,501			RK73GB2A333J	CHIP R 33K J 1/10W	
R303,304			RK73EB2E101J	CHIP R 100 J 1/4W		R504-507			RK73EB2E100J	CHIP R 10 J 1/4W	
R305			RK73GB2A220J	CHIP R 22 J 1/10W		R600-603			RK73EB2E101J	CHIP R 100 J 1/4W	
R307			RK73GB2A101J	CHIP R 100 J 1/10W		R604			RK73EB2E100J	CHIP R 10 J 1/4W	
R308			RK73GB2A000J	CHIP R 0.0 J 1/10W		R605			RK73EB2E121J	CHIP R 120 J 1/4W	
R310			RK73GB2A101J	CHIP R 100 J 1/10W		R606			RK73EB2E101J	CHIP R 100 J 1/4W	
R312			RK73GB2A220J	CHIP R 22 J 1/10W		R607			RK73GB2A302J	CHIP R 3.0K J 1/10W	
R314-317			RK73GB2A000J	CHIP R 0.0 J 1/10W		R608			RK73GB2A512J	CHIP R 5.1K J 1/10W	
R318			RK73GB2A621J	CHIP R 620 J 1/10W		R609			RK73GB2A103J	CHIP R 10K J 1/10W	
R320			RK73GB2A102J	CHIP R 1.0K J 1/10W		R610			RK73GB2A303J	CHIP R 30K J 1/10W	
R322			RK73GB2A102J	CHIP R 1.0K J 1/10W		R611-613			RK73GB2A681J	CHIP R 680 J 1/10W	
R323			RK73GB2A561J	CHIP R 560 J 1/10W		R614			RK73FB2B132J	CHIP R 1.3K J 1/8W	
R326			RK73GB2A221J	CHIP R 220 J 1/10W		R620			RK73GB2A101J	CHIP R 100 J 1/10W	
R328			RK73GB2A102J	CHIP R 1.0K J 1/10W		VR100			R32-0328-05	SEMI FIXED VARIABLE RESISTOR	
R333			RK73GB2A103J	CHIP R 10K J 1/10W		D1			UDZS5.6B	ZENER DIODE	
R334			RK73GB2A102J	CHIP R 1.0K J 1/10W		D2			AVRM1608120M6A	VARIATOR	
R335			RK73GB2A100J	CHIP R 10 J 1/10W		D3,4			1SS355	DIODE	
R336			RK73GB2A102J	CHIP R 1.0K J 1/10W		D5			UDZS5.6B	ZENER DIODE	
R337			RK73GB2A103J	CHIP R 10K J 1/10W		D6			MA2S784-F	DIODE	
R338,339			RK73GB2A202J	CHIP R 2.0K J 1/10W		D7			UDZS5.6B	ZENER DIODE	
R340			RK73GB2A102J	CHIP R 1.0K J 1/10W		D8,9			DA204U	DIODE	
R343			RK73GB2A100J	CHIP R 10 J 1/10W		D100			EP05Q06	DIODE	
R345			RK73GB2A101J	CHIP R 100 J 1/10W		D101-103			EP05Q04	DIODE	
R347			RK73GH2A472D	CHIP R 4.7K D 1/10W		D303			UDZS3.9B	ZENER DIODE	
R348			RK73GB2A102J	CHIP R 1.0K J 1/10W		D305			DA204U	DIODE	
R349			RK73GB2A000J	CHIP R 0.0 J 1/10W		D306			1SV231-F	VARIABLE CAPACITANCE DIODE	
R350			RK73GB2A100J	CHIP R 10 J 1/10W		D500-503			UDZS6.2B	ZENER DIODE	
R352			RK73GB2A102J	CHIP R 1.0K J 1/10W		D600-603			AVRM1608120M6A	VARIATOR	
R353,354			RK73GH2A472D	CHIP R 4.7K D 1/10W		D604			AVRM1608180M6A	VARIATOR	
R355			RK73GH2A473D	CHIP R 47K D 1/10W		D605,606			AVRM1608120M6A	VARIATOR	
R356			RK73GH2A683D	CHIP R 68K D 1/10W		IC1			OZ964ISN-C	ANALOGUE IC	
R357			RK73GH2A153D	CHIP R 15K D 1/10W		IC100			LT1947-PBF	ANALOGUE IC	
R358,359			RK73GB2A102J	CHIP R 1.0K J 1/10W							

E3 : DDX8029 E4 : DDX8029Y (Europe)
 K1 : DDX8019 (North America) R2 : DDX8039 (Latin America)
 X2 : DDX8039 (Australia) M2 : DDX8039 (Other Areas)

△ Indicates safety critical components.

DDX8019/8029/8029Y/8039

PARTS LIST

VIDEO UNIT (X35-4730-10)

Ref. No.	Added	New	Parts No.	Description	Destination
IC102			TC7WH123FU-F	MOS-IC	
IC103			TC7SH04FU-F	MOS-IC	
IC300			TC7SET08FU-F	MOS-IC	
IC302			TC200G02G0104	MOS-IC	
IC303			NJM2107F-ZB	ANALOGUE IC	
Q1			2SC4081	TRANSISTOR	
Q2,3			SI5504DC-E3	DUAL FET	
Q4			2SC4081	TRANSISTOR	
Q5			DTC114YUA	DIGITAL TRANSISTOR	
Q302			2SC4081	TRANSISTOR	
Q303			2SC4097	TRANSISTOR	
Q500			DTA123JUA	DIGITAL TRANSISTOR	
Q501			DTC123JUA	DIGITAL TRANSISTOR	
Q502			DTA123JUA	DIGITAL TRANSISTOR	
Q503			DTC123JUA	DIGITAL TRANSISTOR	
Q504			DTC114YUA	DIGITAL TRANSISTOR	

DVD UNIT (X37-1120-03) IN DVD MECHANISM ASSY

C3			CK73HB1A104K	CHIP C	0.10UF	K
C4			CC73HCH1H471J	CHIP C	470PF	J
C5-7			CK73HB1E103K	CHIP C	0.010UF	K
C8			CC73HCH1H471J	CHIP C	470PF	J
C11			CK73HB1E103K	CHIP C	0.010UF	K
C14			CK73GB0J106M	CHIP C	10UF	M
C15			CK73HB1A104K	CHIP C	0.10UF	K
C16			CK73GB0J106M	CHIP C	10UF	M
C17			CK73GB0J475K	CHIP C	4.7UF	K
C18			CK73FB0J226M	CHIP C	22UF	M
C20			CC73HCH1H102J	CHIP C	1000PF	J
C50,51			C93-1228-05	CHIP C	1UF	M
C54			C93-1228-05	CHIP C	1UF	M
C59,60			C93-1228-05	CHIP C	1UF	M
C62			C93-1228-05	CHIP C	1UF	M
C63			CK73FB0J226M	CHIP C	22UF	M
C72			CK73HB1A104K	CHIP C	0.10UF	K
C73			CK73GB0J106M	CHIP C	10UF	M
C100-102			CK73HB1A104K	CHIP C	0.10UF	K
C103			C93-1228-05	CHIP C	1UF	M
C104			CK73HB1A104K	CHIP C	0.10UF	K
C105			C93-1228-05	CHIP C	1UF	M
C106,107			CK73HB1A104K	CHIP C	0.10UF	K
C108			C93-1228-05	CHIP C	1UF	M
C109			CK73HB1A104K	CHIP C	0.10UF	K
C110			C93-1228-05	CHIP C	1UF	M
C111			CK73HB1C333K	CHIP C	0.033UF	K
C112,113			CK73HB1A104K	CHIP C	0.10UF	K
C114			CK73GB1H562K	CHIP C	5600PF	K
C115			CK73HB1C183K	CHIP C	0.018UF	K
C117			CK73HB1A104K	CHIP C	0.10UF	K
C118			CK73HB0J105K	CHIP C	1.0UF	K
C119			C93-1228-05	CHIP C	1UF	M
C120,121			CK73HB1A104K	CHIP C	0.10UF	K
C122,123			CK73GB0J106M	CHIP C	10UF	M
C126-129			CK73HB1A104K	CHIP C	0.10UF	K
C130-133			CC73HCH1H151J	CHIP C	150PF	J

Ref. No.	Added	New	Parts No.	Description	Destination
C134			CC73HCH1H102J	CHIP C	1000PF J
C135,136			C93-1228-05	CHIP C	1UF M
C137,138			CK73HB0J105K	CHIP C	1.0UF K
C139,140			C93-1228-05	CHIP C	1UF M
C142			C93-1228-05	CHIP C	1UF M
C143,144			CC73HCH1H100D	CHIP C	10PF D
C145-149			CK73HB1A104K	CHIP C	0.10UF K
C151,152			C93-1228-05	CHIP C	1UF M
C153,154			CK73HB1A104K	CHIP C	0.10UF K
C158			CK73HB1A104K	CHIP C	0.10UF K
C162			CK73HB1A104K	CHIP C	0.10UF K
C164-169			CK73GB0J106M	CHIP C	10UF M
C200-203			CK73GB0J106M	CHIP C	10UF M
C207,208			CK73HB1A104K	CHIP C	0.10UF K
C220-223			CK73HB0J105K	CHIP C	1.0UF K
C224			CK73HB1E103K	CHIP C	0.010UF K
C226			CK73FB0J226M	CHIP C	22UF M
C229,230			CK73HB1E103K	CHIP C	0.010UF K
C231			CC73HCH1H102J	CHIP C	1000PF J
C250			CC73HCH1H102J	CHIP C	1000PF J
C251,252			CC73HCH1H221J	CHIP C	220PF J
C253			CC73HCH1H102J	CHIP C	1000PF J
C254,255			CC73HCH1H221J	CHIP C	220PF J
C256			CK73HB1A104K	CHIP C	0.10UF K
C261,262			CC73HCH1H331J	CHIP C	330PF J
C263			CK73HB0J105K	CHIP C	1.0UF K
C265			CK73GB1A105K	CHIP C	1.0UF K
C266			CK73HB1C333K	CHIP C	0.033UF K
C267			CK73FB0J226M	CHIP C	22UF M
C270			CK73HB0J105K	CHIP C	1.0UF K
C271			CC73HCH1H102J	CHIP C	1000PF J
C272			CK73HB0J105K	CHIP C	1.0UF K
C300,301			CC73HCH1H102J	CHIP C	1000PF J
C302			CK73GB0J106M	CHIP C	10UF M
C304-306			CK73GB0J106M	CHIP C	10UF M
C350,351			CC73HCH1H102J	CHIP C	1000PF J
C434			CK73GB0J106M	CHIP C	10UF M
C435			CK73HB1E103K	CHIP C	0.010UF K
C441			CK73HB1A104K	CHIP C	0.10UF K
C442-445			CK73FB0J226M	CHIP C	22UF M
C446			CK73HB1A104K	CHIP C	0.10UF K
C448,449			C93-1228-05	CHIP C	1UF M
C450			CK73HB1A104K	CHIP C	0.10UF K
C452			C93-1228-05	CHIP C	1UF M
C454,455			CK73HB1A104K	CHIP C	0.10UF K
C456-458			CK73HB1H682K	CHIP C	6800PF K
C461			CK73HB1H472K	CHIP C	4700PF K
C462			CK73HB1E103K	CHIP C	0.010UF K
C464			CK73HB0J105K	CHIP C	1.0UF K
C466			CK73HB1A104K	CHIP C	0.10UF K
C467			CC73HCH1H121J	CHIP C	120PF J
C468,469			CK73HB1A104K	CHIP C	0.10UF K
C470			CK73HB1E103K	CHIP C	0.010UF K
C473			CK73HB1A104K	CHIP C	0.10UF K
C474			CC73HCH1H102J	CHIP C	1000PF J

E3 : DDX8029 E4 : DDX8029Y (Europe)
 K1 : DDX8019 (North America) R2 : DDX8039 (Latin America)
 X2 : DDX8039 (Australia) M2 : DDX8039 (Other Areas)

⚠ Indicates safety critical components.

DDX8019/8029/8029Y/8039

PARTS LIST

DVD UNIT (X37-1120-03) IN DVD MECHANISM ASSY

Ref. No.	Add	New	Parts No.	Description	Destination	Ref. No.	Add	New	Parts No.	Description	Destination
C476			CC73HCH1H101J	CHIP C 100PF J		L22			L92-0838-05	CHIP FERRITE	
C477-479			CK73FB0J226M	CHIP C 22UF M		X1			L77-2924-05	CRYSTAL RESONATOR (27MHZ,30PPM)	
C480			CK73HB1A104K	CHIP C 0.10UF K		CP1-9			RK74HB1J470J	CHIP-COM 47 J 1/16W	
C481			CC73HCH1H151J	CHIP C 150PF J		CP36,37			RK74HB1J103J	CHIP-COM 10K J 1/16W	
C482			CC73HCH1H471J	CHIP C 470PF J		CP44,45			RK74HB1J330J	CHIP-COM 33 J 1/16W	
C483			CC73HCH1H102J	CHIP C 1000PF J		CP54-56			RK74HB1J330J	CHIP-COM 33 J 1/16W	
C484			CK73HB1E103K	CHIP C 0.010UF K		CP57			RK74HB1J820J	CHIP-COM 82 J 1/16W	
C485			CC73HCH1H151J	CHIP C 150PF J		CP58			RK74HB1J330J	CHIP-COM 33 J 1/16W	
C486			CC73HCH1H471J	CHIP C 470PF J		CP59-68			RK74HB1J103J	CHIP-COM 10K J 1/16W	
C487			CC73HCH1H102J	CHIP C 1000PF J		CP69			RK74HB1J220J	CHIP-COM 22 J 1/16W	
C488			CK73HB1E103K	CHIP C 0.010UF K		CP70-73			RK74HB1J103J	CHIP-COM 10K J 1/16W	
C489			CC73HCH1H151J	CHIP C 150PF J		R1-4			RK73HB1J103J	CHIP R 10K J 1/16W	
C490			CC73HCH1H471J	CHIP C 470PF J		R5,6			RK73HH1J123D	CHIP R 12K D 1/16W	
C491			CC73HCH1H102J	CHIP C 1000PF J		R10			RK73HB1J163J	CHIP R 16K J 1/16W	
C492			CK73HB1E103K	CHIP C 0.010UF K		R16			RK73HB1J103J	CHIP R 10K J 1/16W	
C493			CC73HCH1H151J	CHIP C 150PF J		R17			RK73HB1J271J	CHIP R 270 J 1/16W	
C494			CC73HCH1H471J	CHIP C 470PF J		R19			RK73HB1J301J	CHIP R 300 J 1/16W	
C495			CC73HCH1H102J	CHIP C 1000PF J		R21,22			RK73HH1J103D	CHIP R 10K D 1/16W	
C496			CK73HB1E103K	CHIP C 0.010UF K		R24			RK73HB1J4R7J	CHIP R 4.7 J 1/16W	
C497,498			CK73FB0J226M	CHIP C 22UF M		R79			RK73HB1J102J	CHIP R 1.0K J 1/16W	
C504,505			CK73HB1H472K	CHIP C 4700PF K		R80			RK73HB1J220J	CHIP R 22 J 1/16W	
C506,507			CC73HCH1H102J	CHIP C 1000PF J		R81			RK73HB1J470J	CHIP R 47 J 1/16W	
C510			CC73HCH1H102J	CHIP C 1000PF J		R84,85			RK73HB1J202J	CHIP R 2.0K J 1/16W	
C511			CK73GBOJ106M	CHIP C 10UF M		R86			RK73HB1J105J	CHIP R 1.0M J 1/16W	
C512			CK73HBOJ105K	CHIP C 1.0UF K		R87			RK73HB1J102J	CHIP R 1.0K J 1/16W	
C513-515			CK73HB1A104K	CHIP C 0.10UF K		R89			RK73HH1J303D	CHIP R 30K D 1/16W	
C516			CK73HB1C333K	CHIP C 0.033UF K		R90			RK73HB1J223J	CHIP R 22K J 1/16W	
C517			CK73HB1E103K	CHIP C 0.010UF K		R91			RK73HB1J470J	CHIP R 47 J 1/16W	
C518,519			CC73HCH1H470J	CHIP C 47PF J		R92			RK73HH1J123D	CHIP R 12K D 1/16W	
C520			CC73HCH1H102J	CHIP C 1000PF J		R94			RK73HH1J512D	CHIP R 5.1K D 1/16W	
C521			CK73HBOJ105K	CHIP C 1.0UF K		R111			RK73HB1J220J	CHIP R 22 J 1/16W	
C522			CC73HCH1H151J	CHIP C 150PF J		R112,113			RK73HB1J101J	CHIP R 100 J 1/16W	
C523			CC73HCH1H471J	CHIP C 470PF J		R116			RK73HB1J103J	CHIP R 10K J 1/16W	
C524			CC73HCH1H102J	CHIP C 1000PF J		R119			RK73HB1J103J	CHIP R 10K J 1/16W	
C525			CK73HB1E103K	CHIP C 0.010UF K		R121			RK73HB1J182J	CHIP R 1.8K J 1/16W	
C526			CC73HCH1H151J	CHIP C 150PF J		R122			RK73HB1J472J	CHIP R 4.7K J 1/16W	
C527			CC73HCH1H471J	CHIP C 470PF J		R131			RK73HB1J220J	CHIP R 22 J 1/16W	
C528			CC73HCH1H102J	CHIP C 1000PF J		R150,151			RK73HB1J100J	CHIP R 10 J 1/16W	
C529			CK73HB1E103K	CHIP C 0.010UF K		R152,153			RK73HB1J471J	CHIP R 470 J 1/16W	
C530			CK73HBOJ105K	CHIP C 1.0UF K		R154,155			RK73HB1J751J	CHIP R 750 J 1/16W	
CN1			E41-2594-05	FLAT CABLE CONNECTOR		R156,157			RK73HB1J560J	CHIP R 56 J 1/16W	
CN3			E41-2596-05	FLAT CABLE CONNECTOR		R158,159			RK73HB1J2R2J	CHIP R 2.2 J 1/16W	
CN6			E41-2603-05	FLAT CABLE CONNECTOR		R162,163			RK73HB1J104J	CHIP R 100K J 1/16W	
CN10			E41-2602-05	FLAT CABLE CONNECTOR		R164,165			RK73HH1J101D	CHIP R 100 D 1/16W	
L1			L92-0365-05	CHIP FERRITE		R200-203			RK73HH1J201D	CHIP R 200 D 1/16W	
L2-4			L92-0612-05	CHIP FERRITE		R204-207			RK73HH1J151D	CHIP R 150 D 1/16W	
L5,6			L92-0611-05	CHIP FERRITE		R208			RK73HB1J4R7J	CHIP R 4.7 J 1/16W	
L7,8			L92-0612-05	CHIP FERRITE		R251			RK73HB1J1R0J	CHIP R 1.0 J 1/16W	
L10			L33-2281-05	SMALL FIXED INDUCTOR		R254			RK73HH1J912D	CHIP R 9.1K D 1/16W	
L11			L33-2280-05	SMALL FIXED INDUCTOR		R255			RK73HH1J752D	CHIP R 7.5K D 1/16W	
L12-14			L92-0365-05	CHIP FERRITE		R256			RK73HH1J331D	CHIP R 330 D 1/16W	
L15			L92-0612-05	CHIP FERRITE		R257			RK73HH1J912D	CHIP R 9.1K D 1/16W	
L20			L92-0617-05	CHIP FERRITE		R258			RK73HH1J752D	CHIP R 7.5K D 1/16W	
L21			L92-0612-05	CHIP FERRITE		R259			RK73HH1J331D	CHIP R 330 D 1/16W	

E3 : DDX8029 E4 : DDX8029Y (Europe)
 K1 : DDX8019 (North America) R2 : DDX8039 (Latin America)
 X2 : DDX8039 (Australia) M2 : DDX8039 (Other Areas)

△ Indicates safety critical components.

DDX8019/8029/8029Y/8039

PARTS LIST

DVD UNIT (X37-1120-03) IN DVD MECHANISM ASSY

Ref. No.	Add	New	Parts No.	Description	Destination
R260			RK73HH1J912D	CHIP R 9.1K D 1/16W	
R261			RK73HH1J752D	CHIP R 7.5K D 1/16W	
R262			RK73HH1J331D	CHIP R 330 D 1/16W	
R263			RK73HH1J912D	CHIP R 9.1K D 1/16W	
R264			RK73HH1J752D	CHIP R 7.5K D 1/16W	
R265			RK73HH1J331D	CHIP R 330 D 1/16W	
R266,267			RK73HH1J101D	CHIP R 100 D 1/16W	
R269			RK73HB1J100J	CHIP R 10 J 1/16W	
R275,276			RK73HB1J472J	CHIP R 4.7K J 1/16W	
R300,301			RK73HH1J472D	CHIP R 4.7K D 1/16W	
R302,303			RK73HH1J183D	CHIP R 18K D 1/16W	
R304			RK73HH1J202D	CHIP R 2.0K D 1/16W	
R305			RK73HB1J163J	CHIP R 16K J 1/16W	
R350,351			RK73HB1J4R7J	CHIP R 4.7 J 1/16W	
R400-402			RK73HB1J470J	CHIP R 47 J 1/16W	
R409			RK73HB1J470J	CHIP R 47 J 1/16W	
R410,411			RK73HB1J102J	CHIP R 1.0K J 1/16W	
R450			RK73HB1J202J	CHIP R 2.0K J 1/16W	
R458			RK73HB1J220J	CHIP R 22 J 1/16W	
R464,465			RK73HH1J101D	CHIP R 100 D 1/16W	
R467			RK73HB1J470J	CHIP R 47 J 1/16W	
R468-470			RK73HB1J103J	CHIP R 10K J 1/16W	
R471			RK73HB1J820J	CHIP R 82 J 1/16W	
R472,473			RK73HB1J330J	CHIP R 33 J 1/16W	
R475			R92-3350-05	CHIP R 2.2 F 1/10W	
R476			R92-5112-05	CHIP R 4.7 F 1/10W	
R477			RK73GH2A111D	CHIP R 110 D 1/10W	
R478			RK73HH1J472D	CHIP R 4.7K D 1/16W	
R480			RK73HH1J202D	CHIP R 2.0K D 1/16W	
R481			RK73HH1J203D	CHIP R 20K D 1/16W	
R482-484			RK73HB1J820J	CHIP R 82 J 1/16W	
R485			RK73HB1J102J	CHIP R 1.0K J 1/16W	
R486,487			RK73HB1J103J	CHIP R 10K J 1/16W	
R489			RK73HB1J220J	CHIP R 22 J 1/16W	
R491-493			RK73HB1J751J	CHIP R 750 J 1/16W	
R496,497			RK73HB1J102J	CHIP R 1.0K J 1/16W	
R498			RK73HB1J101J	CHIP R 100 J 1/16W	
R501			RK73HH1J132D	CHIP R 1.3K D 1/16W	
R502			RK73HH1J333D	CHIP R 33K D 1/16W	
R503			RK73HH1J203D	CHIP R 20K D 1/16W	
R504			RK73HB1J242J	CHIP R 2.4K J 1/16W	
R505			RK73HB1J821J	CHIP R 820 J 1/16W	
R507			RK73HB1J103J	CHIP R 10K J 1/16W	
R508			RK73HB1J225J	CHIP R 2.2M J 1/16W	
R509			RK73HB1J102J	CHIP R 1.0K J 1/16W	
R510			RK73HB1J103J	CHIP R 10K J 1/16W	
R511			RK73HB1J473J	CHIP R 47K J 1/16W	
R512,513			RK73HB1J103J	CHIP R 10K J 1/16W	
R514-517			RK73HB1J220J	CHIP R 22 J 1/16W	
R518-522			RK73HB1J103J	CHIP R 10K J 1/16W	
R523,524			RK73HB1J4R7J	CHIP R 4.7 J 1/16W	
R525			RK73HB1J000J	CHIP R 0.0 J 1/16W	
R530			RK73HB1J000J	CHIP R 0.0 J 1/16W	
R531			RK73HB1J471J	CHIP R 470 J 1/16W	
R532			RK73HB1J472J	CHIP R 4.7K J 1/16W	

Ref. No.	Add	New	Parts No.	Description	Destination
R533			RK73HH1J683D	CHIP R 68K D 1/16W	
R535-538			RK73HH1J821D	CHIP R 820 D 1/16W	
R539			RK73HB1J4R7J	CHIP R 4.7 J 1/16W	
R541			RK73HH1J122D	CHIP R 1.2K D 1/16W	
R544-559			RK73HB1J2R2J	CHIP R 2.2 J 1/16W	
R560			RK73HB1J000J	CHIP R 0.0 J 1/16W	
R561,562			RK73HH1J682D	CHIP R 6.8K D 1/16W	
R563			RK73HH1J122D	CHIP R 1.2K D 1/16W	
R564			RK73HB1J4R7J	CHIP R 4.7 J 1/16W	
R574-576			RK73HB1J000J	CHIP R 0.0 J 1/16W	
R583,584			RK73HH1J391D	CHIP R 390 D 1/16W	
R588			R92-5112-05	CHIP R 4.7 F 1/10W	
R591			RK73HB1J820J	CHIP R 82 J 1/16W	
R599,600			RK73HB1J103J	CHIP R 10K J 1/16W	
R601-604			RK73HB1J102J	CHIP R 1.0K J 1/16W	
R605,606			RK73HB1J103J	CHIP R 10K J 1/16W	
R614			RK73HH1J102D	CHIP R 1.0K D 1/16W	
R615			RK73HB1J1R0J	CHIP R 1.0 J 1/16W	
R617			RK73HB1J000J	CHIP R 0.0 J 1/16W	
R619			RK73HB1J513J	CHIP R 51K J 1/16W	
R620			RK73HB1J333J	CHIP R 33K J 1/16W	
R621			RK73HB1J103J	CHIP R 10K J 1/16W	
R622			RK73HB1J333J	CHIP R 33K J 1/16W	
R623			RK73HB1J220J	CHIP R 22 J 1/16W	
R624-626			RK73HH1J332D	CHIP R 3.3K D 1/16W	
R627			RK73HB1J103J	CHIP R 10K J 1/16W	
R628,629			R92-5147-05	CHIP R 1.2 D 1/4W	
R630,631			R92-5146-05	CHIP R 1.0 D 1/4W	
R632			RK73HH1J270D	CHIP R 27 D 1/16W	
R633			RK73HB1J472J	CHIP R 4.7K J 1/16W	
R634			RK73HB1J103J	CHIP R 10K J 1/16W	
R636			RK73HB1J220J	CHIP R 22 J 1/16W	
R638-645			RK73HB1J2R2J	CHIP R 2.2 J 1/16W	
S1			S68-0911-15	PUSH SWITCH	
S2			S68-0910-05	PUSH SWITCH	
D5,6			015AZ5.1-F (Y)	ZENER DIODE	
D7			1SS402-F	DIODE	
IC1			MN2DS0016AAUB	MOS-IC	
IC5			-	ROM IC	
IC9			-	ROM IC	
IC10			AN41250A-VB	ANALOGUE IC	
IC12			MM1671XNRE	ANALOGUE IC	
IC15			AK4396VF	MOS-IC	
IC21			-	MOS-IC	
IC39			NJU7042	ANALOGUE IC	
IC42			TC74VHC273FT	MOS-IC	
IC49			TC7SG04FU-F	MOS-IC	
IC50,51			NJM4580V-ZB	ANALOGUE IC	
IC54			IS45S16800TL1	DRAM IC	
IC55			TC7WH32FU-F	MOS-IC	
IC56			HD74LV1GW57AE	MOS-IC	
IC57			NJM2573V-ZB	ANALOGUE IC	
IC60			-	ANALOGUE IC	
Q1-4			DTA143XE	DIGITAL TRANSISTOR	

E3 : DDX8029 **E4** : DDX8029Y (Europe)
K1 : DDX8019 (North America) **R2** : DDX8039 (Latin America)
X2 : DDX8039 (Australia) **M2** : DDX8039 (Other Areas)

△ Indicates safety critical components.

● IC5, IC21, and IC60 in the DVD unit (X37-1120-03) are not replaceable components. In case of defective of any of these ICs, replace the DVD mechanism assembly.

DDX8019/8029/8029Y/8039

PARTS LIST

DVD UNIT (X37-1120-03) IN DVD MECHANISM ASSY

Ref. No.	Add	New	Parts No.	Description	Destination	Ref. No.	Add	New	Parts No.	Description	Destination
Q10,11			2SC4617	TRANSISTOR		C351			CK73HB1A104K	CHIP C 0.10UF K	
Q12,13			2SB1709	TRANSISTOR		C352			CK73GB0J106M	CHIP C 10UF M	
Q14,15			2SK3019	FET		C354-357			CK73HB1A104K	CHIP C 0.10UF K	
Q20,21			2SK3019	FET		C358			CC73HCH1H020C	CHIP C 2.0PF C	
Q24			SSM3J15FU-F	FET		C360,361			CK73HB1A104K	CHIP C 0.10UF K	
Q25			DTA143XE	DIGITAL TRANSISTOR		C362			CK73GB0J106M	CHIP C 10UF M	
Q27			DTA143ZE	DIGITAL TRANSISTOR		C363			CK73HB1A104K	CHIP C 0.10UF K	
Q28,29			2SA1774	TRANSISTOR		C367			CK73HB0J105K	CHIP C 1.0UF K	
DIGITAL I/O UNIT (X88-2020-15)						C368			CK73HB1A104K	CHIP C 0.10UF K	
C100,101			CC73HCH1H101J	CHIP C 100PF J		C375,376			CK73HB1A104K	CHIP C 0.10UF K	
C102-105			CK73HB1A104K	CHIP C 0.10UF K		C389			CK73HB1A104K	CHIP C 0.10UF K	
C106			CK73GB0J106M	CHIP C 10UF M		C392			CK73HB1A104K	CHIP C 0.10UF K	
C107-110			CK73HB1A104K	CHIP C 0.10UF K		C394,395			CK73HB1A104K	CHIP C 0.10UF K	
C112			CK73EB0J226K	CHIP C 22UF K		C400,401			CK73HB1A104K	CHIP C 0.10UF K	
C113			C92-1983-05	ELECTRO 100UF 4WV		C456			CK73EB1A106K	CHIP C 10UF K	
C114-124			CK73HB1A104K	CHIP C 0.10UF K		C460			CK73HB1A104K	CHIP C 0.10UF K	
C125			CC73HCH1H220J	CHIP C 22PF J		C464			CK73HB1C473K	CHIP C 0.047UF K	
C126-130			CK73HB1A104K	CHIP C 0.10UF K		C468			CK73GB0J106M	CHIP C 10UF M	
C133,134			CK73GB0J106M	CHIP C 10UF M		C470,471			CK73HB1E103K	CHIP C 0.010UF K	
C135			CK73HB1A104K	CHIP C 0.10UF K		C478			CK73HB1A104K	CHIP C 0.10UF K	
C138,139			CC73HCH1H100D	CHIP C 10PF D		C482			CK73GB1H222K	CHIP C 2200PF K	
C140			CK73HB0J105K	CHIP C 1.0UF K		C601,602			CC73HCH1H470J	CHIP C 47PF J	
C142			CE32BN0J221M	CHIP EL 220UF 6.3WV		C700-713			CK73HB1H222K	CHIP C 2200PF K	
C143			CK73HB0J105K	CHIP C 1.0UF K		C715			CK73HB1A104K	CHIP C 0.10UF K	
C144			CK73HB1A104K	CHIP C 0.10UF K		C800			CK73HB1H222K	CHIP C 2200PF K	
C148			CE32BN0J221M	CHIP EL 220UF 6.3WV		C801,802			CK73HB1H102K	CHIP C 1000PF K	
C149			CK73HB1A104K	CHIP C 0.10UF K		C803,804			CK73HB1H222K	CHIP C 2200PF K	
C153			CK73HB0J105K	CHIP C 1.0UF K		C805			CK73HB1H102K	CHIP C 1000PF K	
C154			CK73HB1A104K	CHIP C 0.10UF K		CN101			E41-2839-05	PIN ASSY	
C200			CC73HCH1H220J	CHIP C 22PF J		CN328			E41-2237-05	FLAT CABLE CONNECTOR	
C201			CK73HB1A104K	CHIP C 0.10UF K		L101,102			L41-1005-33	SMALL FIXED INDUCTOR (10U)	
C202			CC73HCH1H220J	CHIP C 22PF J		L103-106			L92-0321-05	CHIP FERRITE	
C203,204			CK73HB1A104K	CHIP C 0.10UF K		L200			L41-1005-33	SMALL FIXED INDUCTOR (10U)	
C217-226			CK73HB1A104K	CHIP C 0.10UF K		L203-205			L41-1005-33	SMALL FIXED INDUCTOR (10U)	
C227,228			CK73GB0J106M	CHIP C 10UF M		L212			L41-1005-33	SMALL FIXED INDUCTOR (10U)	
C230,231			CK73HB1H102K	CHIP C 1000PF K		L301,302			L41-1005-33	SMALL FIXED INDUCTOR (10U)	
C233-236			CK73HB1A104K	CHIP C 0.10UF K		L303			L41-6805-33	SMALL FIXED INDUCTOR (68U)	
C244			CK73GB0J106M	CHIP C 10UF M		L304-310			L41-1005-33	SMALL FIXED INDUCTOR (10U)	
C247			CK73HB1H102K	CHIP C 1000PF K		X100			L77-2941-05	CRYSTAL RESONATOR (14.7456MHZ)	
C264			CK73HB1A104K	CHIP C 0.10UF K		X202			L77-2917-15	CRYSTAL RESONATOR (32.768KHZ)	
C275			CK73GB0J106M	CHIP C 10UF M		CP104-109			RK74HB1J220J	CHIP-COM 22 J 1/16W	
C309-312			CK73HB1A104K	CHIP C 0.10UF K		CP117-127			RK74HB1J220J	CHIP-COM 22 J 1/16W	
C314,315			CK73GB0J106M	CHIP C 10UF M		CP128-134			RK74HB1J103J	CHIP-COM 10K J 1/16W	
C316-318			CK73HB1A104K	CHIP C 0.10UF K		CP135-138			RK74HB1J220J	CHIP-COM 22 J 1/16W	
C322-324			CK73HB1A104K	CHIP C 0.10UF K		CP139-142			RK74HB1J330J	CHIP-COM 33 J 1/16W	
C326,327			CK73GB0J106M	CHIP C 10UF M		CP143-146			RK74HB1J680J	CHIP-COM 68 J 1/16W	
C329			CC73HCH1H270J	CHIP C 27PF J		CP147-154			RK74HB1J103J	CHIP-COM 10K J 1/16W	
C331			CK73GB0J106M	CHIP C 10UF M		CP155-160			RK74HB1J220J	CHIP-COM 22 J 1/16W	
C332			CK73HB1A104K	CHIP C 0.10UF K		CP200-203			RK74HB1J220J	CHIP-COM 22 J 1/16W	
C336			CK73GB0J106M	CHIP C 10UF M		CP204-207			RK74HB1J103J	CHIP-COM 10K J 1/16W	
C337,338			CK73HB1H152K	CHIP C 1500PF K		R1,2			RK73HB1J473J	CHIP R 47K J 1/16W	
C340,341			CC73HCH1H331J	CHIP C 330PF J		R3-5			RK73HB1J220J	CHIP R 22 J 1/16W	
C342			CK73HB1E103K	CHIP C 0.010UF K		R6			RK73HB1J473J	CHIP R 47K J 1/16W	
C349			CC73HCH1H020C	CHIP C 2.0PF C		R7			RK73HB1J472J	CHIP R 4.7K J 1/16W	

E3 : DDX8029 E4 : DDX8029Y (Europe)
 K1 : DDX8019 (North America) R2 : DDX8039 (Latin America)
 X2 : DDX8039 (Australia) M2 : DDX8039 (Other Areas)

△ Indicates safety critical components.

DDX8019/8029/8029Y/8039

PARTS LIST

DIGITAL I/O UNIT (X88-2020-15)

Ref. No.	A d d	N e w	Parts No.	Description	Desti- nation
R8			RK73HB1J473J	CHIP R 47K J 1/16W	
R9,10			RK73HB1J220J	CHIP R 22 J 1/16W	
R12			RK73HB1J000J	CHIP R 0.0 J 1/16W	
R13			RK73HB1J473J	CHIP R 47K J 1/16W	
R14			RK73HB1J561J	CHIP R 560 J 1/16W	
R15,16			RK73FB2B220J	CHIP R 22 J 1/8W	
R17,18			RK73HB1J153J	CHIP R 15K J 1/16W	
R24			RK73HB1J220J	CHIP R 22 J 1/16W	
R29			RK73HB1J473J	CHIP R 47K J 1/16W	
R30			RK73HB1J472J	CHIP R 4.7K J 1/16W	
R32			RK73HB1J472J	CHIP R 4.7K J 1/16W	
R33			RK73HB1J473J	CHIP R 47K J 1/16W	
R34-37			RK73FB2B270J	CHIP R 27 J 1/8W	
R104			RK73HB1J330J	CHIP R 33 J 1/16W	
R105			RK73HB1J103J	CHIP R 10K J 1/16W	
R107-109			RK73HB1J103J	CHIP R 10K J 1/16W	
R112			RK73HB1J222J	CHIP R 2.2K J 1/16W	
R115			RK73HB1J222J	CHIP R 2.2K J 1/16W	
R116			RK73HB1J103J	CHIP R 10K J 1/16W	
R118			RK73HB1J103J	CHIP R 10K J 1/16W	
R121			RK73HB1J222J	CHIP R 2.2K J 1/16W	
R123			RK73HB1J222J	CHIP R 2.2K J 1/16W	
R124			RK73HB1J473J	CHIP R 47K J 1/16W	
R126			RK73HB1J473J	CHIP R 47K J 1/16W	
R129			RK73HB1J222J	CHIP R 2.2K J 1/16W	
R130-132			RK73HB1J220J	CHIP R 22 J 1/16W	
R134			RK73HB1J220J	CHIP R 22 J 1/16W	
R137			RK73HB1J472J	CHIP R 4.7K J 1/16W	
R139			RK73HB1J105J	CHIP R 1.0M J 1/16W	
R140			RK73HB1J222J	CHIP R 2.2K J 1/16W	
R141,142			RK73FB2B220J	CHIP R 22 J 1/8W	
R145,146			RK73HB1J153J	CHIP R 15K J 1/16W	
R147			RK73HB1J220J	CHIP R 22 J 1/16W	
R148			RK73HB1J473J	CHIP R 47K J 1/16W	
R149			RK73HB1J472J	CHIP R 4.7K J 1/16W	
R150			RK73HB1J220J	CHIP R 22 J 1/16W	
R153			RK73HB1J000J	CHIP R 0.0 J 1/16W	
R157-163			RK73HB1J220J	CHIP R 22 J 1/16W	
R164,165			RK73HB1J470J	CHIP R 47 J 1/16W	
R166-169			RK73HB1J220J	CHIP R 22 J 1/16W	
R170,171			RK73HB1J330J	CHIP R 33 J 1/16W	
R172,173			RK73HB1J680J	CHIP R 68 J 1/16W	
R174,175			RK73HB1J470J	CHIP R 47 J 1/16W	
R176			RK73HB1J220J	CHIP R 22 J 1/16W	
R177-192			RK73HB1J473J	CHIP R 47K J 1/16W	
R193-198			RK73HB1J220J	CHIP R 22 J 1/16W	
R199			RK73HB1J473J	CHIP R 47K J 1/16W	
R200			RK73HB1J330J	CHIP R 33 J 1/16W	
R201			RK73HB1J000J	CHIP R 0.0 J 1/16W	
R202			RK73HB1J106J	CHIP R 10M J 1/16W	
R203			RK73HB1J334J	CHIP R 330K J 1/16W	
R212,213			RK73HB1J100J	CHIP R 10 J 1/16W	
R219-221			RK73HB1J472J	CHIP R 4.7K J 1/16W	
R223			RK73HB1J473J	CHIP R 47K J 1/16W	
R227			RK73HB1J100J	CHIP R 10 J 1/16W	

Ref. No.	A d d	N e w	Parts No.	Description	Desti- nation
R248-250			RK73HB1J473J	CHIP R 47K J 1/16W	
R255			RK73HH1J104D	CHIP R 100K D 1/16W	
R258-260			RK73HB1J473J	CHIP R 47K J 1/16W	
R265-271			RK73HB1J472J	CHIP R 4.7K J 1/16W	
R273			RK73HB1J000J	CHIP R 0.0 J 1/16W	
R276			RK73HB1J000J	CHIP R 0.0 J 1/16W	
R284-287			RK73HB1J473J	CHIP R 47K J 1/16W	
R291			RK73HB1J330J	CHIP R 33 J 1/16W	
R292-295			RK73HB1J473J	CHIP R 47K J 1/16W	
R296			RK73HB1J000J	CHIP R 0.0 J 1/16W	
R297			RK73HB1J103J	CHIP R 10K J 1/16W	
R304,305			RK73HB1J103J	CHIP R 10K J 1/16W	
R308			RK73HB1J103J	CHIP R 10K J 1/16W	
R310			RK73HB1J103J	CHIP R 10K J 1/16W	
R316			RK73HB1J473J	CHIP R 47K J 1/16W	
R320-322			RK73HB1J103J	CHIP R 10K J 1/16W	
R324,325			RK73HB1J103J	CHIP R 10K J 1/16W	
R326,327			RK73HB1J822J	CHIP R 8.2K J 1/16W	
R328,329			RK73HB1J472J	CHIP R 4.7K J 1/16W	
R332,333			RK73HB1J151J	CHIP R 150 J 1/16W	
R343			RK73HB1J101J	CHIP R 100 J 1/16W	
R344			RK73HB1J680J	CHIP R 68 J 1/16W	
R345			RK73HB1J152J	CHIP R 1.5K J 1/16W	
R347			RK73HH1J100D	CHIP R 10 D 1/16W	
R348			RK73HH1J131D	CHIP R 130 D 1/16W	
R351			RK73HH1J100D	CHIP R 10 D 1/16W	
R352			RK73HH1J131D	CHIP R 130 D 1/16W	
R356			RK73HH1J100D	CHIP R 10 D 1/16W	
R357			RK73HH1J131D	CHIP R 130 D 1/16W	
R367			RK73HB1J101J	CHIP R 100 J 1/16W	
R368			RK73HB1J272J	CHIP R 2.7K J 1/16W	
R369			RK73HB1J101J	CHIP R 100 J 1/16W	
R370			RK73HB1J272J	CHIP R 2.7K J 1/16W	
R371			RK73HB1J101J	CHIP R 100 J 1/16W	
R372			RK73HB1J272J	CHIP R 2.7K J 1/16W	
R373			RK73HB1J103J	CHIP R 10K J 1/16W	
R376			RK73HB1J222J	CHIP R 2.2K J 1/16W	
R438			RK73HB1J103J	CHIP R 10K J 1/16W	
R440			RK73HB1J103J	CHIP R 10K J 1/16W	
R446			RK73HB1J101J	CHIP R 100 J 1/16W	
R447			RK73GB2A515J	CHIP R 5.1M J 1/10W	
R452			RK73HB1J000J	CHIP R 0.0 J 1/16W	
R455			RK73HB1J000J	CHIP R 0.0 J 1/16W	
R458,459			RK73HB1J473J	CHIP R 47K J 1/16W	
R461			RK73HB1J473J	CHIP R 47K J 1/16W	
R462			RK73HB1J561J	CHIP R 560 J 1/16W	
R463-465			RK73HB1J000J	CHIP R 0.0 J 1/16W	
R467			RK73HB1J000J	CHIP R 0.0 J 1/16W	
R472,473			RK73HB1J000J	CHIP R 0.0 J 1/16W	
R478			RK73HB1J000J	CHIP R 0.0 J 1/16W	
R481,482			RK73HB1J000J	CHIP R 0.0 J 1/16W	
R485-487			RK73HB1J000J	CHIP R 0.0 J 1/16W	
R494			RK73HB1J000J	CHIP R 0.0 J 1/16W	
R496			RK73HB1J000J	CHIP R 0.0 J 1/16W	
R498			RK73HB1J000J	CHIP R 0.0 J 1/16W	

E3 : DDX8029 **E4** : DDX8029Y (Europe)
K1 : DDX8019 (North America) **R2** : DDX8039 (Latin America)
X2 : DDX8039 (Australia) **M2** : DDX8039 (Other Areas)

△ Indicates safety critical components.

PARTS LIST

DIGITAL I/O UNIT (X88-2020-15)

Ref. No.	Add	New	Parts No.	Description	Destination
R500			RK73HB1J000J	CHIP R 0.0 J 1/16W	
R502,503			RK73HB1J000J	CHIP R 0.0 J 1/16W	
R505-507			RK73HB1J000J	CHIP R 0.0 J 1/16W	
R509			RK73HB1J000J	CHIP R 0.0 J 1/16W	
R522			RK73HB1J680J	CHIP R 68 J 1/16W	
R523			RK73HB1J000J	CHIP R 0.0 J 1/16W	
R524			RK73HB1J330J	CHIP R 33 J 1/16W	
R527			RK73HB1J000J	CHIP R 0.0 J 1/16W	
R600,601			RK73HB1J220J	CHIP R 22 J 1/16W	
R602,603			RK73HB1J153J	CHIP R 15K J 1/16W	
R701			RK73HB1J000J	CHIP R 0.0 J 1/16W	
R703		*	RK73GB2A206J	CHIP R 20M J 1/10W	
R705			RK73HB1J331J	CHIP R 330 J 1/16W	
D102,103			AVRL1613R3FTA	VARISTOR	
D104,105			IMSA-6802-E	SURGE ABSORBER	
D106,107			AVRL1613R3FTA	VARISTOR	
D108,109			IMSA-6802-E	SURGE ABSORBER	
D300			DA204U	DIODE	
IC100,101			MIC2005-05YM6	MOS-IC	
IC104			TC7S86FU-F	MOS-IC	
IC105			SI-3018KM	ANALOGUE IC	
IC106			-	MICROPROCESSOR IC	
IC108			TC7SH04FU-F	MOS-IC	
IC200			TC7WHU04FU-F	MOS-IC	
IC201			TC74LCX245FT	MOS-IC	
IC202,203			K4S561632HUI7	DRAM IC	
IC205			TC74LCX245FT	MOS-IC	
IC207			341S2094	MICROPROCESSOR IC	
IC211		*	DW128F70NF1Y3	ROM IC	
IC301			WM8728SEDSR	ANALOGUE IC	
IC302			BH7240AKV	MOS-IC	
IC305			NJM2100V-ZB	ANALOGUE IC	
IC309			LC74735NW8A20	MOS-IC	
IC316			TC7WHU04FU-F	MOS-IC	
IC322			L4032VN8IPINO	MOS-IC (48PIN 32V)	
IC332			NJM2864F05-ZB	ANALOGUE IC	
IC336,337			TC7WH14FU-F	MOS-IC	
Q302-304			2SA1576A	TRANSISTOR	
DAUGHTER UNIT (X89-2980-10)					
D1			B30-1566-05	LED (1608,RED)	
D2-7			B30-1767-05	LED	
D9			B30-1767-05	LED	
C9,10			CK73GB1A105K	CHIP C 1.0UF K	
S1-8			S70-0919-05	TACT SWITCH	
D8			AVRM1608120M6A	VARISTOR	
D10-17			AVRM1608120M6A	VARISTOR	
IC1			GP1US301XP	ANALOGUE IC	
DVD MECHANISM ASSY (X92-5920-00) (DVS-8530V)					
1	1A		A10-5331-41	CHASSIS (MAIN CHASSIS)	
2	2B		A10-5332-41	CHASSIS (FRONT PANEL)	
3	1A		A10-5333-31	CHASSIS (OUTER TOP CHASSIS)	
4	3A		A10-5334-22	CHASSIS (OUTER BOTTOM CHASSIS)	

Ref. No.	Add	New	Parts No.	Description	Destination
7	1B		D10-4918-12	ARM (LOAD ARM L)	
8	1B		D10-4919-12	ARM (LOAD ARM R)	
9	1B		D10-4920-02	LEVER (LINK LEVER L)	
10	1B		D10-4921-02	LEVER (LINK LEVER R)	
12	2B		D10-4922-12	SLIDER (DRIVE CAM SLIDER)	
13	2A	*	D10-4923-12	ARM (EJECT ARM)	
14	2B		D10-4924-13	ARM (SWING ARM)	
15	2B		D10-4925-12	ARM (TRAVERSE UP DOWN ARM)	
25	2B		D10-4938-04	SLIDER ASSY (SHUTTER SLIDER ASS)	
27	2A		D10-4945-04	LEVER (LIMIT LEVER)	
28	2B		D12-0639-02	CAM (DRIVE CAM)	
31	2B		D13-2402-04	GEAR (DRIVE HELICAL GEAR)	
32	2B		D13-2403-04	GEAR (DRIVE GEAR(1))	
33	2B		D13-2404-04	GEAR (DRIVE GEAR(2))	
34	2B		D13-2405-04	GEAR (DRIVE GEAR(3))	
35	2B		D13-2406-04	GEAR (DRIVE GEAR(4C))	
36	2B		D13-2407-04	GEAR (DRIVE GEAR(5))	
40	2A		D13-2413-04	GEAR (HELICAL GEAR)	
41	2A		D13-2415-04	GEAR (ROLLER GEAR (IDLE A))	
42	2A		D13-2416-04	GEAR (ROLLER GEAR (IDLE B))	
43	1B		D14-1013-14	ROLLER (LOAD ARM L ROLLER)	
53	1B	*	D21-2487-14	SHAFT (LOAD ARM SHAFT)	
54	2A		D39-0269-05	DAMPER	
55	2A		D39-0270-05	DAMPER	
60	3A	*	F09-2825-23	SHEET (BOTTOM SHEET IN)	
65	2B		G01-3298-04	EXTENSION SPRING	
66	1B		G01-3299-04	EXTENSION SPRING	
67	2A	*	G01-3300-14	TORSION COIL SPRING	
68	1B		G01-4601-04	EXTENSION SPRING	
69	1B		G01-4602-04	EXTENSION SPRING	
70	1B		G01-4604-04	TORSION COIL SPRING	
74	2B	*	G01-4609-14	TORSION COIL SPRING	
75	1B		G02-1550-03	FLAT SPRING (SPRING COVER)	
79	2A		J22-0475-11	MOUNTING HARDWARE (MAIN CHASSIS)	
80	3B		J22-0476-01	MOUNTING HARDWARE (GEAR BLK)	
A	1A		N09-6382-05	MACHINE SCREW (M1.7X2.0)	
B	3B	*	N09-6408-15	TAPTITE SCREW (1.7X4 P-T)	
C	1B	*	N09-6426-15	MACHINE SCREW (LOAD ARM SCREW)	
D	3A		N09-6104-05	MACHINE SCREW (2X10 S-T)	
E	3A		N09-6145-05	MACHINE SCREW (1.7X4.3 P-T)	
F	3B	*	N19-2325-04	FLAT WASHER (2X4.3X0.4)	
G	2G	*	N19-2326-04	FLAT WASHER (4.6X7.2X0.4)	
93	2A		T99-0471-05	MAGNET (2X2X1)	
96	1B		X94-2080-00	ROLLER ASSY	
98	2A		X94-2060-00	TRAVERSE ASSY (PICKUP,SPINDLE)	
VM1	2A		X94-2070-00	MOTOR ASSY (LOADING)	

E3 : DDX8029 E4 : DDX8029Y (Europe)
 K1 : DDX8019 (North America) R2 : DDX8039 (Latin America)
 X2 : DDX8039 (Australia) M2 : DDX8039 (Other Areas)

△ Indicates safety critical components.

● IC106 in the DIGITAL I/O UNIT (X88-2020-15) is not a replaceable component. In case of defective of this IC, replace the entire unit (X88-2020-15).

DDX8019/8029/8029Y/8039

SPECIFICATIONS

Monitor section

Picture size 6.95 inches (diagonal) wide, 156.2 x 82.4mm
Display system Transparent TN LCD panel
Drive system TFT active matrix system
Number of pixels 336,960 (480H x 234V x RGB)
Effective pixels 99.99%
Pixel arrangement RGB striped arrangement
Back lighting Cold Cathode Fluorescent Tube

DVD section

D/A Converter 24bit
Decoder Linear PCM/ Dolby Digital/ dts/MLP/ MP3/ WMA/AAC
Wow & Flutter Below Measurable Limit
Frequency Response
Sampling frequency; 192kHz 20~88,000Hz
Sampling frequency; 176.4kHz 20~80,000Hz
Sampling frequency; 96kHz 20~44,000Hz
Sampling frequency; 88.2kHz 20~40,000Hz
Sampling frequency; 48kHz 20~22,000Hz
Sampling frequency; 44.1kHz 20~20,000Hz
Total Harmonic Distortion 0.008% (1kHz)
S/N Ratio 100dB (DVD-Audio 192k)
Dynamic Range 100dB (DVD-Audio 192k)
DISC Format DVD-Audio/ DVD-Video/ VIDEO-CD/ CD-DA
Sampling frequency 44.1kHz/ 48kHz/88.2kHz/ 96kHz/176.4kHz/ 192kHz
Quantifying bit number 16/ 20/ 24 bit

USB IF section

USB Standard USB 1.1/ 2.0
File System FAT 16/ 32
Maximum Power Supply Current 500mA
D/A Converter 24Bit
Decoder MP3/ WMA/ AAC

FM tuner section

Frequency Range
K,R 87.9~107.9MHz (200kHz)
M,X 87.5~108.0MHz (50kHz), 87.9~107.9MHz (200kHz)
E 87.5~108.0MHz (50kHz)
Usable Sensitivity
K,R (S/N : 30dB) 9.3dBf (0.8 μ V/75 Ω)
M,X (S/N : 26dB) 9.3dBf (0.8 μ V/75 Ω)
E (S/N : 26dB) 0.7 μ V/75 Ω
Quieting Sensitivity
K,R (S/N : 50dB) 15.2dBf (1.6 μ V/75 Ω)
M,X,E (S/N : 46dB) 15.2dBf (1.6 μ V/75 Ω)
Frequency Response (\pm 3.0dB) 30Hz~15kHz
S/N
K,R,M,X 70dB (MONO)
E 65dB (MONO)
Selectivity (\pm 400kHz) \geq 80dB
Stereo Separation
K,R,M,X 40dB (1kHz)
E 35dB (1kHz)

AM tuner section : K,R,X type

Frequency Range
K,R 530~1700kHz (10kHz)
X 531~1611kHz (9kHz), 530~1700kHz (10kHz)
Usable Sensitivity 28dB μ

LW Tuner section : M,E type

Frequency Range 153~281kHz (9kHz)
Usable Sensitivity
M 28dB μ
E 45 μ V

MW Tuner section : M,E type

Frequency Range
M 531~1611kHz (9kHz), 530~1700kHz (10kHz)
E 531~1611kHz (9kHz)
Usable Sensitivity
M 28dB μ
E 25 μ V

Video section

Color system of external video input
K,R NTSC
M,X,E NTSC/ PAL
External video input level (RCA jacks) 1Vp-p/75 Ω
External audio max input level (RCA jacks) 2V/25k Ω
Analog RGB input 0.7Vp-p/75 Ω
Video Output level (RCA jacks) 1Vp-p/75 Ω
Audio Output level (RCA jacks) 1.2V/10k Ω

Audio section

Maximum Power (Front & Rear) 50W x 4
Full Bandwidth Power (Front & Rear)
K,R (4 Ω , 14.4V, 1% THD) 22W x 4
M,X (at less than 1% THD) 22W x 4
E (PWR DIN45324, +B=14.4V) 30W x 4
Preout level 5V/10k Ω
Preout impedance 80 Ω
Speaker impedance 4~8 Ω
Tone action
Bass 100Hz \pm 8dB
Middle 1kHz \pm 8dB
Treble 10kHz \pm 8dB

External SW

Maximum Power Supply Current 500mA

General

Operating voltage 14.4V (11~16V allowable)
Current Consumption 15A
Installation Size (W x H x D)
..... 182 x 112 x 163 mm, 7-3/16 x 4-7/16 x 6-7/16 inch
Operational Temperature Range -10°C~+60°C
Storage Temperature Range -20°C~+85°C
Weight 2.75kg (6lbs)

DANGER:

Please do not look at the laser beam directly during repair or operation check.

KENWOOD follows a policy of continuous advancements in development. For this reason specifications may be changed without notice.

Although the effective pixels for the liquid crystal panel is given as 99.99% or more, 0.01% of pixels may not light or may light incorrectly.

US and foreign patents licensed from Dolby Laboratories.

